

DOSSERT®

TYPE CVSP-AA

Cable Bus Support

Base mounting holes are slotted to allow for misalignment in insulator stack. Used for both cable and pipe applications. Reversible for covering a broad range of conductor sizes.

Material

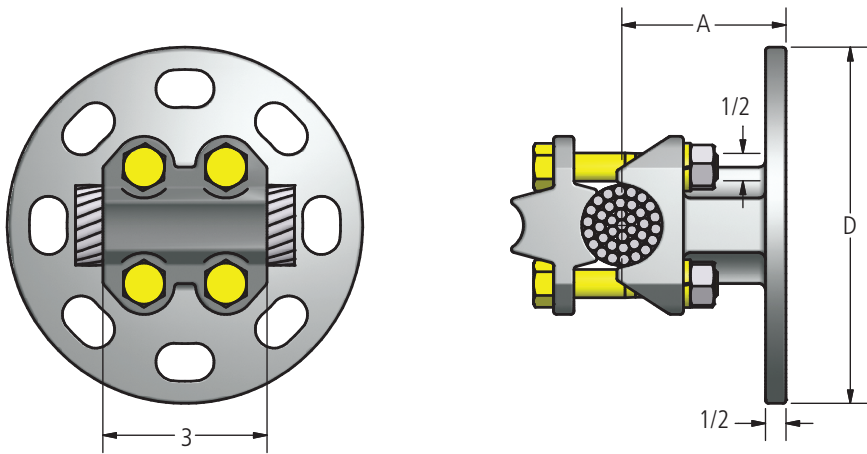
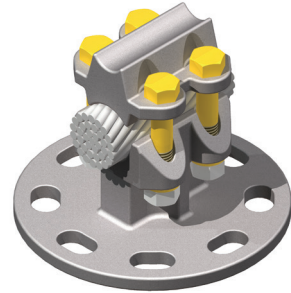
Aluminum Alloy

Hardware

Yellow anodized aluminum nuts, bolts, and lockwashers.
Galvanized steel base mounting hardware is included.

Note

For base mounting dimensions and hardware see page 3 in the general catalog index.



Ordering Information

CATALOG NUMBER	ALUMINUM		SPS		BOLT CIRCLE	DIMENSIONS IN INCHES	
	MIN	MAX	SMALL GROOVE	LARGE GROOVE		A	D
CVSP143A-3-AA	3/0 ACSR-700 MCM AL	750 MCM AL. - 1431 ACSR	1/4	1	3	3	4 1/4
CVSP143A-5-AA	3/0 ACSR-700 MCM AL	751 MCM AL. - 1431 ACSR	1/4	1	5	3	6 1/4