

## DOSSERT® TYPE PSG-AA Cable, Bus Support

### Material

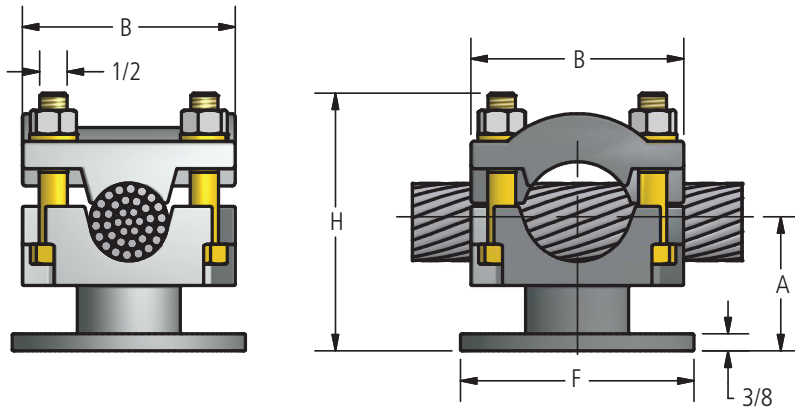
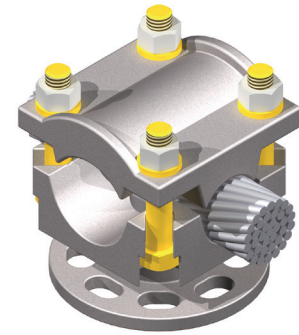
Aluminum Alloy

### Hardware

Yellow anodized aluminum nuts, bolts, and lockwashers.  
Galvanized steel base mounting hardware is included.

### Notes

For base mounting dimensions and hardware see page 3 in the general catalog index.



### Ordering Information

CATALOG NUMBER	AAC CABLE RANGE		BUS RANGE (OD) IN INCHES		BOLT CIRCLE	DIMENSIONS IN INCHES				CANTILEVER FORCE LBS	
	MIN.	MAX.	MIN.	MAX.		A	B	F	H	ALLOWABLE	ULTIMATE
PSG81-3-AA	#4	500MCM	7/16	1 5/16	3	1 9/16	2 3/8	4 1/4	2 3/8	-	-
PSG131-3-AA	3/OSTR	1250MCM	7/16	1 5/16	3	2 1/8	3 1/8	4 1/4	3 11/16	2310	3340
PSG131-5-AA	3/OSTR	1250MCM	7/16	1 5/16	5	2 1/8	3 1/8	6 1/4	3 11/16	4490	6480
PSG199-3-AA	750MCM	2870MCM	1	2	3	2 5/8	3 7/8	4 1/4	4 5/8	2410	3480
PSG199-5-AA	750MCM	2870MCM	1	2	5	2 5/8	3 7/8	6 1/4	4 5/8	4720	6820
PSG199-7-AA	750MCM	2870MCM	1	2	7	2 5/8	3 7/8	8 1/2	4 5/8	-	-