

DOSSERT®

TYPE PSRE-AA

Low Mounting Variable Bus Support for Cable/Pipe

A cost effective low mounting variable bus support clamp. The wide range of conductor sizes accommodated by each clamp size minimizes the number of clamps to cover a given range of bus sizes.

Material

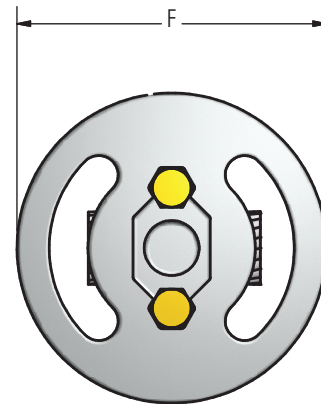
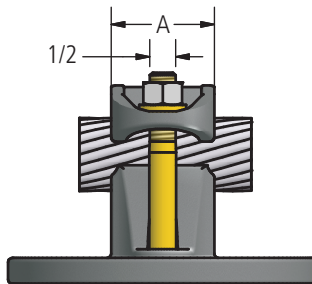
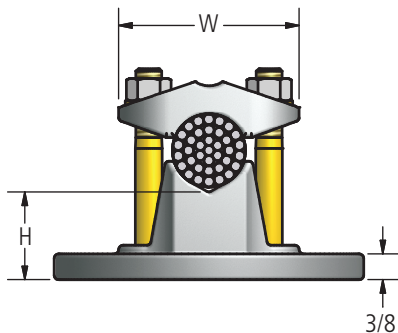
Aluminum Alloy

Hardware

Yellow anodized aluminum nuts, bolts, and lockwashers.
Galvanized steel base mounting hardware is included.

Notes

For base mounting dimensions and hardware see page 3 in the general catalog index.



Ordering Information

CATALOG NUMBER	CONDUCTOR RANGE		SPS/EHPS		DIAMETER		BOLT CIRCLE	DIMENSIONS IN INCHES			
	MIN	MAX	MIN	MAX	MIN	MAX		A	F	H	W
PSRE75-3-AA	#2 STR	800 MCM	1/2	3/4	1/4	1 1/16	3	1 1/2	4 1/4	1	2 13/16
PSRE75-5-AA	#2 STR	800 MCM	1/2	3/4	1/4	1 1/16	5	1 1/2	6 1/4	1	2 13/16
PSRE125-3-AA	556.5 MCM	2000 MCM	3/4	1 1/4	13/16	1 11/16	3	1 3/4	4 1/4	1	3 7/16
PSRE125-5-AA	556.5 MCM	2000 MCM	3/4	1 1/4	13/16	1 11/16	5	1 3/4	6 1/4	1	3 7/16
PSRE159-3-AA	1/0 STR	1590 MCM	1/2	1	3/8	1 5/11	3	1 5/8	4 1/4	1 5/8	2 3/4
PSRE159-5-AA	1/0 STR	1590 MCM	1/2	1	3/8	1 5/11	5	1 5/8	6 1/4	1 5/8	2 3/4
PSRE159-7-AA	1/0 STR	1590 MCM	1/2	1	3/8	1 5/11	7	1 5/8	8 1/2	1 5/8	2 3/4
PSRE200-3-AA	2000 MCM	3500 MCM	1 1/4	2	1 5/8	2 3/8	3	1 3/4	4 1/4	1	4 1/8
PSRE200-5-AA	2000 MCM	3500 MCM	1 1/4	2	1 5/8	2 3/8	5	1 3/4	6 1/4	1	4 1/8