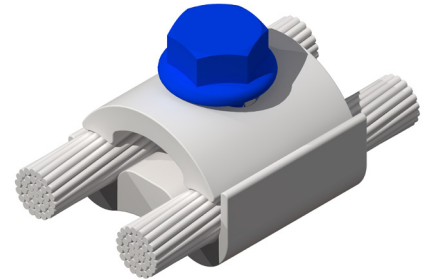


DOSSERT® Distribution Parallel Groove Clamps (Series 390 and 490)

Catalog 390 and Catalog 490 Series Distribution Parallel Groove Clamps with a single bolt accommodate a range of conductors in each groove. This type of clamp is commonly used for service drop connections and as a tap from large to relatively small conductors.



230 kV Aluminum Bolted Parallel Clamps

Material

Aluminum Alloy

Hardware

Blue anodized bolt.

Notes

1. To order Parallel Groove Clamps prefilled with Alnox Compound, add P or W suffix to part number. See ordering information below.
2. The use of Alnox Compound liberally in grooves and on wire is recommended. Be sure conductors are clean. All conductors (new and old) should be thoroughly cleaned with a scratch brush or emery cloth.
3. Extensive field experience and exposure tests show that if a suitable type joint compound is liberally applied over and around the contact area, copper-to-aluminum electric connections can be made satisfactorily with aluminum clamps without copper bushings. Alnox Compound is recommended.

Ordering Information

CATALOG NUMBER	GROOVE SIZE		BOLT SIZE (IN)	TORQUE (FT-LBS)	NOMINAL WEIGHT (LBS)
	RUN 1	TAP 2			
490.0	0	0	5/16"	10	.060
395.5	5	5	3/8"	15	.092
396.6	6	6	3/8"	15	.129
397.5	7	5	7/16"	20	.179
392.6	2	6	1/2"	25	.316
393.6	3	6	5/8"	40	.642

Standard groove numbers are used for the complete range of clamps and connectors. These numbers are incorporated into the AFL part number itself.

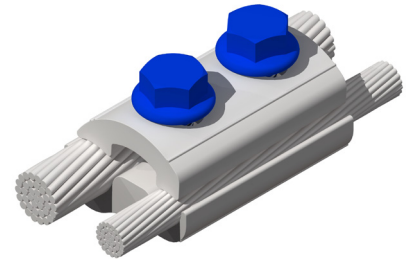
GROOVE SIZE	GROOVE SIZE		CONDUCTOR SIZE			
	DIMENSIONS IN INCHES		ACSR		STRANDED ALUMINUM	
	MIN	MAX	MIN	MAX	MIN	MAX
0	.128	.325	6 6/1	2 7/1	8 & 8W	2
5	.128	.398	6 6/1	1/0	8 & 8W	1/0
6	.162	.464	6 6/1	2/0 6/1	6	3/0
1	.292	.502	2 6/1	3/0	2	3/0
7	.368	.593	1/0	4/0	1/0	266.8 MCM
2	.464	.743	3/0	397 18/1	3/0	400 MCM
3	.743	1.152	397 18/1	795 26/7	450 MCM	1,000 MCM
4	1.060	1.545	795 45/7	1590 54/19	874.5 MCM	1,750 MCM

Notes

1. NEMA standard abbreviations for aluminum or copper: W = solid conductor, ACSR = aluminum conductor/steel reinforced

DOSSERT® Center Bolt Clamps Series 480

Catalog 480 Series Center Bolt Clamps are a multiple bolt heavy duty universal groove design which can handle the full electrical load of the conductor. They offer the convenience of installation without any loose parts. Catalog 480 Clamps are made from extruded high strength aluminum alloy and can be taped easily. Additionally, they have a minimum bulk, which results in a neat appearance.



Material

Aluminum Alloy

Hardware

Blue anodized bolts.

Notes

1. To order Parallel Groove Clamps prefilled with Alnox Compound, add P or W suffix to part number. See ordering information below.
2. The use of Alnox Compound liberally in grooves and on wire is recommended. Be sure conductors are clean. All conductors (new and old) should be thoroughly cleaned with a scratch brush or emery cloth.
3. Extensive field experience and exposure tests show that if a suitable type joint compound is liberally applied over and around the contact area, copper-to-aluminum electric connections can be made satisfactorily with aluminum clamps without copper bushings. Alnox Compound is recommended.

Ordering Information

CATALOG NUMBER	GROOVE SIZE		NUMBER OF BOLTS	BOLT SIZE (IN)	TORQUE (FT-LBS)	NOMINAL WEIGHT (LBS)
	RUN 1	TAP 2				
481.0	1	0	2	3/8"	15	0.3
481.1	1	1	2	3/8"	15	0.3
482.1	2	1	2	1/2"	25	0.6
482.2	2	2	3	1/2"	25	1.1
483.2	3	2	2	5/8"	40	1.8
483.3	3	3	3	5/8"	40	2.8

Standard groove numbers are used for the complete range of clamps and connectors. These numbers are incorporated into the AFL part number itself.

GROOVE SIZE	GROOVE SIZE		CONDUCTOR SIZE			
	DIMENSIONS IN INCHES		ACSR		STRANDED ALUMINUM	
	MIN	MAX	MIN	MAX	MIN	MAX
0	.128	.325	6 6/1	2 7/1	8 & 8W	2
5	.128	.398	6 6/1	1/0	8 & 8W	1/0
6	.162	.464	6 6/1	2/0 6/1	6	3/0
1	.292	.502	2 6/1	3/0	2	3/0
7	.368	.593	1/0	4/0	1/0	266.8 MCM
2	.464	.743	3/0	397 18/1	3/0	400 MCM
3	.743	1.152	397 18/1	795 26/7	450 MCM	1,000 MCM
4	1.060	1.545	795 45/7	1590 54/19	874.5 MCM	1,750 MCM

Notes

1. NEMA standard abbreviations for aluminum or copper: W = solid conductor, ACSR = aluminum conductor/steel reinforced

DOSSERT® U-Bolt Clamps Series 580

Catalog 580 Series U-Bolt Clamps are heavy duty, high efficiency connectors with AFL full-capacity grooves. The U-Bolts are high strength aluminum alloy for excellent thermal expansion and corrosion resistance characteristics.

Material

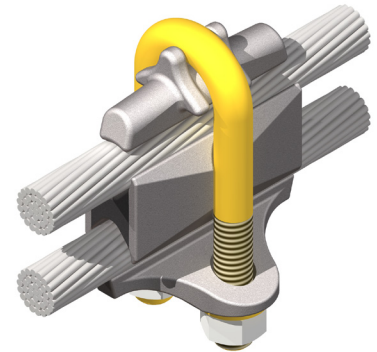
Aluminum Alloy

Hardware

Yellow anodized aluminum U-bolts, nuts and lockwashers.

Notes

1. To order Parallel Groove Clamps prefilled with Alnox Compound, add P or W suffix to part number. See ordering information below.
2. The use of Alnox Compound liberally in grooves and on wire is recommended. Be sure conductors are clean. All conductors (new and old) should be thoroughly cleaned with a scratch brush or emery cloth.
3. Extensive field experience and exposure tests show that if a suitable type joint compound is liberally applied over and around the contact area, copper-to-aluminum electric connections can be made satisfactorily with aluminum clamps without copper bushings. Alnox Compound is recommended.



230 kV Aluminum Bolted Parallel Clamps

Ordering Information

CATALOG NUMBER	GROOVE SIZE		NUMBER OF BOLTS	BOLT SIZE (IN)	TORQUE (FT-LBS)	NOMINAL WEIGHT (LBS)
	RUN 1	TAP 2				
581.1	1	1	1	3/8"	15	.3
582.1	2	1	1	1/2"	25	.6
582.2	2	2	2	1/2"	25	1.3
583.1	3	1	1	5/8"	40	1.1
583.2	3	2	2	5/8"	40	2.6
583.3	3	3	3	5/8"	40	3.9
584.1	4	1	1	5/8"	40	1.7
584.2	4	2	2	5/8"	40	3.6
584.3	4	3	3	5/8"	40	5.8
584.4	4	4	3	5/8"	40	6.0

Standard groove numbers are used for the complete range of clamps and connectors. These numbers are incorporated into the AFL part number itself.

GROOVE SIZE	GROOVE SIZE		CONDUCTOR SIZE			
	DIMENSIONS IN INCHES		ACSR		STRANDED ALUMINUM	
	MIN	MAX	MIN	MAX	MIN	MAX
0	.128	.325	6 6/1	2 7/1	8 & 8W	2
5	.128	.398	6 6/1	1/0	8 & 8W	1/0
6	.162	.464	6 6/1	2/0 6/1	6	3/0
1	.292	.502	2 6/1	3/0	2	3/0
7	.368	.593	1/0	4/0	1/0	266.8 MCM
2	.464	.743	3/0	397 18/1	3/0	400 MCM
3	.743	1.152	397 18/1	795 26/7	450 MCM	1,000 MCM
4	1.060	1.545	795 45/7	1590 54/19	874.5 MCM	1,750 MCM

Notes

1. NEMA standard abbreviations for aluminum or copper: W = solid conductor, ACSR = aluminum conductor/steel reinforced