

## DOSSERT® TYPE AC100-AA Parallel Connector

### Material

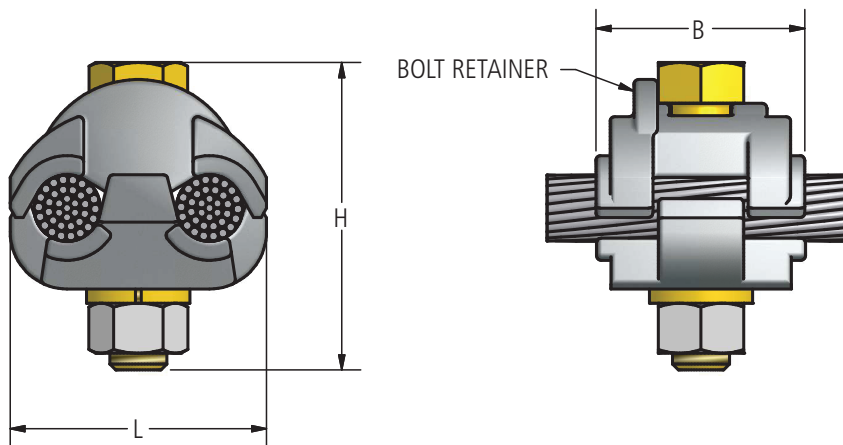
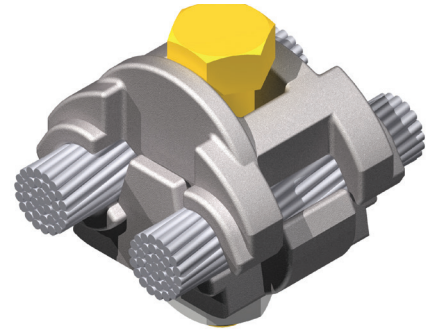
Aluminum Alloy

### Hardware

Yellow anodized aluminum bolts, nuts, and lockwashers.

### Notes

1. For Aluminum hardware add suffix "A" to catalog number. Ex: ACA101
2. For Stainless belleville washer add suffix "-BW" to end of catalog number.  
Ex: AC101-BW
3. For tin plated connector add suffix "-SN" to end of catalog number. EX: AC101-SN
4. For a prefilled connector with Alnox and packaged in a polyethylene bag add suffix "LP" to catalog number. Ex: AC101-LP



## Ordering Information

CATALOG NUMBER	CABLE RANGE									DIMENSIONS IN INCHES			BOLT SIZE
	RUN					TAP				B	H	L	
	ACC		ACSR			ACC		ACSR					
AC100	ACA100	#8 SOL	1/0 STR	#8STR	1/0 ACSR	#8 SOL	1 STR	#8STR	#2 ACSR	1 1/8	1 15/16	1 3/8	5/16
AC101	ACA101	#8 SOL	1/0 STR	#8STR	1/0 ACSR	#8 SOL	1/0 STR	#8STR	1/0 ACSR	1 3/8	2	1 3/4	3/8
AC102	ACA102	#4 SOL	4/0 STR	#4STR	4/0 ACSR	#4 SOL	4/0 STR	#4STR	4/0 ACSR	2	2 5/8	2 1/8	1/2
AC103	ACA103	#4 SOL	350 MCM	#4STR	336.4 MCM ACSR	#8 SOL	2/0 STR	#8STR	2/0 ACSR	1 13/16	2 1/4	2 1/16	3/8
AC122	ACA122	#2 SOL	500 MCM	#2STR	397.5 MCM ACSR	#6 SOL	3/0 STR	#6STR	3/0 ACSR	2 1/4	2 3/4	2 3/8	1/2
AC124	ACA124	1/0 STR	1033.5 MCM	1/0 STR	954 MCM ACSR	#2 SOL	4/0 STR	#4STR	4/0 ACSR	2 9/16	2 3/8	3	5/8