

DOSSERT® TYPE TRV-AA Parallel Connector

Connects a cable main parallel to a cable tap, features clamping members made of aluminum. The bolts, nuts and lockwashers are stainless steel to enhance clamping efficiency and resistance to corrosion. The assembly is encased in a plastic cover.

Material

Aluminum Alloy

Hardware

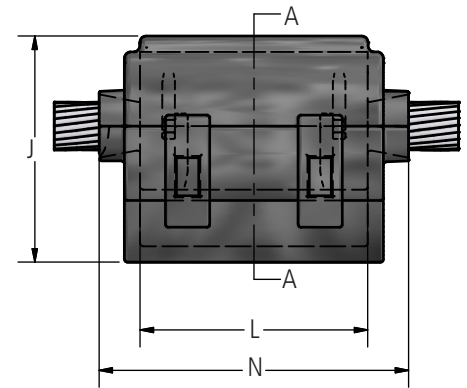
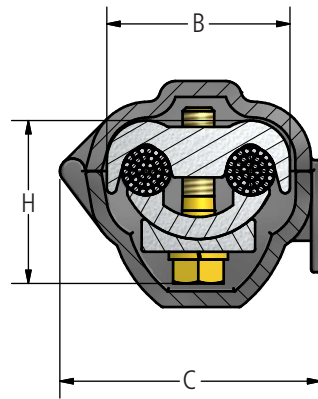
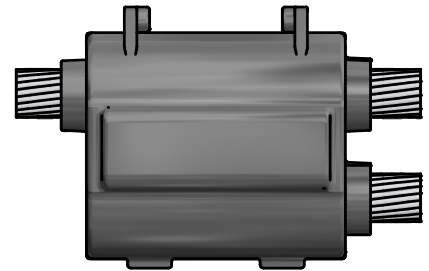
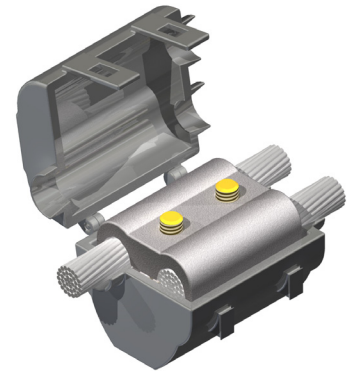
Stainless Steel bolts, Belleville spring washers, and Neoprene bolt retainers.

Cover

Black Polyethylene

Note

For conductor grooves coated with Alnox, order by adding prefix -LP.
EX: TRV10-10-AA-LP



Ordering Information

CATALOG NUMBER	CABLE RANGE				DIMENSIONS IN INCHES						BOLT SIZE
	RUN		TAP		B	C	H	J	L	N	
	MIN	MAX	MIN	MAX							
TRV10-10-AA	#8	# 1/0	#8	# 1/0	1.500	2 11/32	1.370	1 25/32	1.620	2 5/8	5/16
TRV10-35-AA	#8	# 1/0	# 3/0	350	2.090	2 15/16	1.900	2 7/32	2.120	3 1/8	3/8
TRV17-10-AA	#4	# 3/0	#8	# 1/0	1.700	2 19/32	1.610	2 1/32	2.120	3 1/8	3/8
TRV17-17-AA	#4	# 3/0	#4	# 3/0	1.750	2 19/32	1.610	2 1/32	2.120	3 1/8	3/8
TRV35-10-AA	# 3/0	350	#8	# 1/0	2.090	2 15/16	1.900	2 7/32	2.120	3 1/8	3/8
TRV35-35-AA	# 3/0	350	# 3/0	350	2.310	3 5/32	1.910	2 1/4	2.120	3 1/8	3/8