

DOSSERT[®] TYPE CASV-N-AA, CASV-N-90-AA Cable Spacer Clamp with Terminal Pad

Material

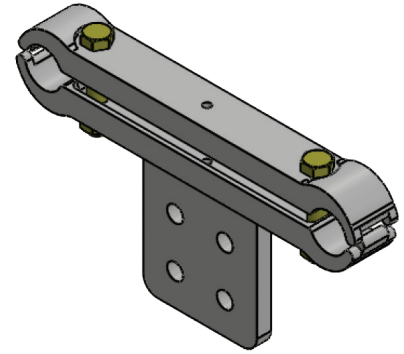
Aluminum Alloy

Hardware

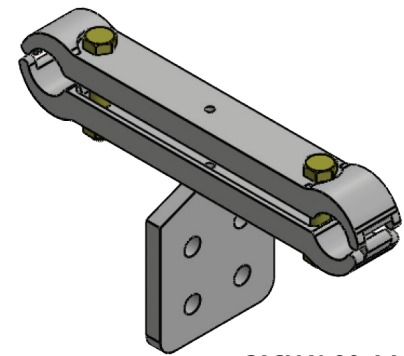
Yellow anodized aluminum nuts, bolts and lockwashers.

Notes

For a 90° angle, add -90 Ex: CASV125-6-4N4-90-AA

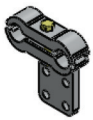


CASV-N-AA

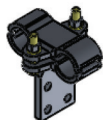


CASV-N-90-AA

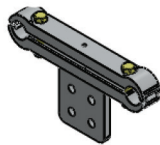
230 kV Aluminum Bolted Cable Spacers



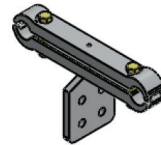
CASV-N-AA



CASV-N-90-AA



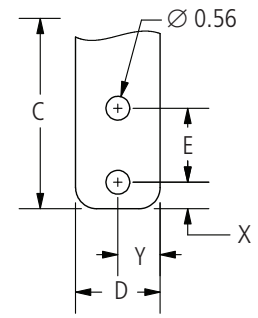
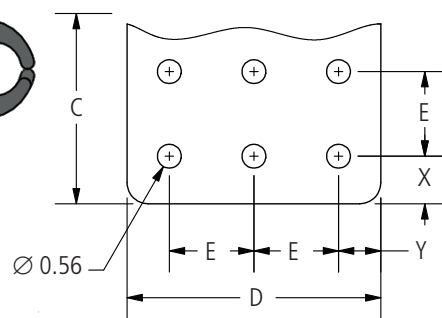
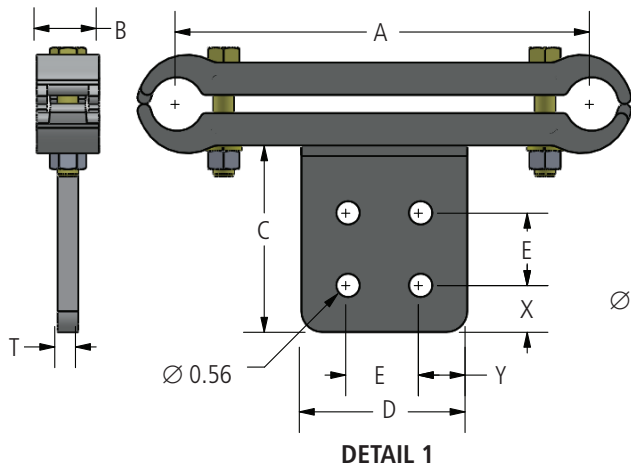
CASV-N-AA



CASV-N-90-AA

FIG. 1

FIG. 2



continued →

DOSSERT[®] TYPE CASV-N-AA, CASV-N-90-AA Cable Spacer Clamp with Terminal Pad

Ordering Information

CATALOG NUMBER		CABLE RANGE				FIG. NO.	PAD DETAIL	DIMENSIONS IN INCHES								BOLT SIZE
CASV-N-AA	CASV-N-90-AA	AAC		ACSR				A	B	C	D	E	T	X	Y	
CASV60-4-2N-AA	CASV60-4-2N-90-AA	350 MCM	600 MCM	336.4 MCM	477 MCM	1	3	4.00	1.50	4.25	2.00	1.75	0.50	0.63	1.00	1/2
CASV60-4-4N-AA	CASV60-4-4N-90-AA	350 MCM	600 MCM	336.4 MCM	477 MCM	1	1	4.00	1.50	4.25	3.00	1.75	0.50	0.63	0.63	1/2
CASV60-4-4N4-AA	CASV60-4-4N4-90-AA	350 MCM	600 MCM	336.4 MCM	477 MCM	1	1	4.00	1.50	4.63	4.00	1.75	0.50	1.13	1.13	1/2
CASV60-8-4N-AA	CASV60-8-4N-90-AA	350 MCM	600 MCM	336.4 MCM	477 MCM	2	1	8.00	1.50	4.25	3.00	1.75	0.50	1.13	1.13	1/2
CASV60-8-4N4-AA	CASV60-8-4N4-90-AA	350 MCM	600 MCM	336.4 MCM	477 MCM	2	1	8.00	1.50	5.25	4.00	1.75	0.50	1.13	1.13	1/2
CASV60-10-4N-AA	CASV60-10-4N-90-AA	350 MCM	600 MCM	336.4 MCM	477 MCM	2	1	10.00	1.50	3.50	3.00	1.75	0.50	0.63	0.63	1/2
CASV90-4-4N-AA	CASV90-4-4N-90-AA	500 MCM	900 MCM	477 MCM	795 MCM	1	1	4.00	1.50	4.25	3.00	1.75	0.50	0.63	0.63	1/2
CASV90-4-4N4-AA	CASV90-4-4N4-90-AA	500 MCM	900 MCM	477 MCM	795 MCM	1	1	4.00	1.50	4.25	4.00	1.75	0.50	1.13	1.13	1/2
CASV90-6-4N-AA	CASV90-6-4N-90-AA	500 MCM	900 MCM	477 MCM	795 MCM	2	1	6.00	1.50	4.25	3.00	1.75	0.50	0.63	0.63	1/2
CASV90-6-4N4-AA	CASV90-6-4N4-90-AA	500 MCM	900 MCM	477 MCM	795 MCM	2	1	6.00	1.50	4.25	4.00	1.75	0.50	1.13	1.13	1/2
CASV90-8-4N-AA	CASV90-8-4N-90-AA	500 MCM	900 MCM	477 MCM	795 MCM	2	1	8.00	1.50	3.50	3.00	1.75	0.50	0.63	0.63	1/2
CASV90-8-4N4-AA	CASV90-8-4N4-90-AA	500 MCM	900 MCM	477 MCM	795 MCM	2	1	8.00	1.50	4.50	4.00	1.75	0.50	1.13	1.13	1/2
CASV90-12-4N-AA	CASV90-12-4N-90-AA	500 MCM	900 MCM	477 MCM	795 MCM	2	1	12.00	1.50	3.50	3.00	1.75	0.50	0.63	0.63	1/2
CASV90-12-4N4-AA	CASV90-12-4N4-90-AA	500 MCM	900 MCM	477 MCM	795 MCM	2	1	12.00	1.50	4.50	4.00	1.75	0.50	1.13	1.13	1/2
CASV90-18-4N-AA	CASV90-18-4N-90-AA	500 MCM	900 MCM	477 MCM	795 MCM	2	1	18.00	1.50	3.50	3.00	1.75	0.50	0.63	0.63	1/2
CASV90-18-4N4-AA	CASV90-18-4N4-90-AA	500 MCM	900 MCM	477 MCM	795 MCM	2	1	18.00	1.50	4.50	4.00	1.75	0.50	1.13	1.13	1/2
CASV125-4-2N-AA	CASV125-4-2N-90-AA	900 MCM	1250 MCM	715.5 MCM	1113 MCM	1	3	4.00	1.50	4.25	2.00	1.75	0.50	0.63	1.00	1/2
CASV125-4-4N4-AA	CASV125-4-4N4-90-AA	900 MCM	1250 MCM	715.5 MCM	1113 MCM	1	1	4.00	1.50	4.50	4.00	1.75	0.50	1.13	1.13	1/2
CASV125-6-4N4-AA	CASV125-6-4N4-90-AA	900 MCM	1250 MCM	715.5 MCM	1113 MCM	2	1	6.00	1.50	4.25	4.00	1.75	0.50	1.13	1.13	1/2
CASV125-8-4N4-AA	CASV125-8-4N4-90-AA	900 MCM	1250 MCM	715.5 MCM	1113 MCM	2	1	8.00	1.50	4.50	4.00	1.75	0.50	1.13	1.13	1/2
CASV125-12-4N4-AA	CASV125-12-4N4-90-AA	900 MCM	1250 MCM	715.5 MCM	1113 MCM	2	1	12.00	1.50	4.50	4.00	1.75	0.50	1.13	1.13	1/2
CASV125-18-4N4-AA	CASV125-18-4N4-90-AA	900 MCM	1250 MCM	715.5 MCM	1113 MCM	2	1	18.00	1.50	4.50	4.00	1.75	0.50	1.13	1.13	1/2
CASV160-4-4N-AA	CASV160-4-4N-90-AA	1250 MCM	1600 MCM	1113 MCM	1431 MCM	1	1	4.00	2.13	4.25	3.00	1.75	0.50	0.63	0.63	5/8
CASV160-4-4N4-AA	CASV160-4-4N4-90-AA	1250 MCM	1600 MCM	1113 MCM	1431 MCM	1	1	4.00	2.13	4.50	4.00	1.75	0.50	1.13	1.13	5/8
CASV160-6-4N-AA	CASV160-6-4N-90-AA	1250 MCM	1600 MCM	1113 MCM	1431 MCM	2	1	6.00	2.13	4.25	3.00	1.75	0.50	0.63	0.63	5/8
CASV160-6-4N4-AA	CASV160-6-4N4-90-AA	1250 MCM	1600 MCM	1113 MCM	1431 MCM	2	1	6.00	2.13	5.25	4.00	1.75	0.50	1.13	1.13	5/8
CASV160-8-4N4-AA	CASV160-8-4N4-90-AA	1250 MCM	1600 MCM	1113 MCM	1431 MCM	2	1	8.00	2.13	5.25	4.00	1.75	0.50	1.13	1.13	5/8
CASV160-12-4N4-AA	CASV160-12-4N4-90-AA	1250 MCM	1600 MCM	1113 MCM	1431 MCM	2	1	12.00	2.13	4.50	4.00	1.75	0.50	1.13	1.13	5/8
CASV160-18-4N4-AA	CASV160-18-4N4-90-AA	1250 MCM	1600 MCM	1113 MCM	1431 MCM	2	1	18.00	2.13	4.50	4.00	1.75	0.50	1.13	1.13	5/8
CASV200-4-2N-AA	CASV200-4-2N-90-AA	1500 MCM	2000 MCM	1272 MCM	1780 MCM	2	3	4.00	2.13	4.25	2.00	1.75	0.50	0.63	1.00	5/8
CASV200-4-4N4-AA	CASV200-4-4N4-90-AA	1500 MCM	2000 MCM	1272 MCM	1780 MCM	1	1	4.00	2.13	4.50	4.00	1.75	0.50	1.13	1.13	5/8
CASV200-6-4N-AA	CASV200-6-4N-90-AA	1500 MCM	2000 MCM	1272 MCM	1780 MCM	2	1	6.00	2.13	4.25	3.00	1.75	0.50	0.63	0.63	5/8
CASV200-6-4N4-AA	CASV200-6-4N4-90-AA	1500 MCM	2000 MCM	1272 MCM	1780 MCM	2	1	6.00	2.13	4.50	4.00	1.75	0.50	1.13	1.13	5/8
CASV200-8-4N-AA	CASV200-8-4N-90-AA	1500 MCM	2000 MCM	1272 MCM	1780 MCM	2	1	8.00	2.13	4.50	3.00	1.75	0.50	0.63	0.63	5/8
CASV200-8-4N4-AA	CASV200-8-4N4-90-AA	1500 MCM	2000 MCM	1272 MCM	1780 MCM	2	1	8.00	2.13	4.50	4.00	1.75	0.50	1.13	1.13	5/8
CASV200-12-4N4-AA	CASV200-12-4N4-90-AA	1500 MCM	2000 MCM	1272 MCM	1780 MCM	2	1	12.00	2.13	4.50	4.00	1.75	0.50	1.13	1.13	5/8
CASV200-16-4N4-AA	CASV200-16-4N4-90-AA	1500 MCM	2000 MCM	1272 MCM	1780 MCM	2	1	16.00	2.13	4.50	4.00	1.75	0.50	1.13	1.13	5/8
CASV200-18-4N4-AA	CASV200-18-4N4-90-AA	1500 MCM	2000 MCM	1272 MCM	1780 MCM	2	1	18.00	2.13	4.50	4.00	1.75	0.50	1.13	1.13	5/8
CASV250-4-2N-AA	CASV250-4-2N-90-AA	2000 MCM	2500 MCM	1780 MCM	2312 MCM	1	3	4.00	2.13	4.25	2.00	1.75	0.50	0.63	1.00	5/8
CASV250-4-4N4-AA	CASV250-4-4N4-90-AA	2000 MCM	2500 MCM	1780 MCM	2312 MCM	1	1	4.00	2.13	5.25	4.00	1.75	0.50	1.13	1.13	5/8
CASV250-8-4N-AA	CASV250-8-4N-90-AA	2000 MCM	2500 MCM	1780 MCM	2312 MCM	2	1	8.00	2.13	4.25	3.00	1.75	0.50	0.63	0.63	5/8
CASV250-8-4N4-AA	CASV250-8-4N4-90-AA	2000 MCM	2500 MCM	1780 MCM	2312 MCM	2	1	8.00	2.13	4.50	4.00	1.75	0.50	1.13	1.13	5/8
CASV250-18-4N4-AA	CASV250-18-4N4-90-AA	2000 MCM	2500 MCM	1780 MCM	2312 MCM	2	1	18.00	2.13	4.50	4.00	1.75	0.50	1.13	1.13	5/8
CASV300-8-4N4-AA	CASV300-8-4N4-90-AA	2500 MCM	3000 MCM	2300 MCM	2870 MCM	2	1	8.00	2.13	5.25	4.00	1.75	0.50	1.13	1.13	5/8