

## DOSSERT®

### TYPE BCV-AA

#### Cable to Cable Tee

Tee connectors are designed for use with stranded aluminum or ACSR conductors. Tees are designed with universal grooves to accept a wide range of conductor sizes. Four clamp bolts on each conductor insures a positive electrical contact.

#### Material

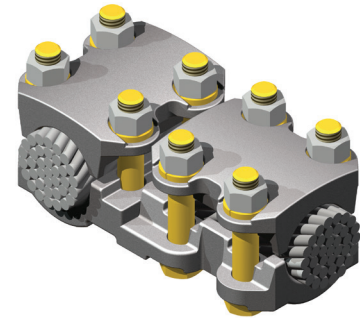
Aluminum Alloy

#### Hardware

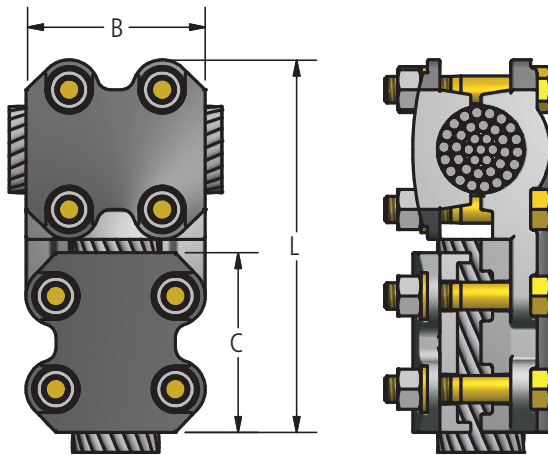
Yellow anodized aluminum nuts, bolts and lockwashers.

#### Notes

- For Stainless Steel bolts, lockwashers and Everdur nuts, add "-SSHBN" to catalog number. EX: BCV25-25-AA-SSHBN
- For Grade Five Galvanized Steel Hardware, add "-GS5" to catalog number. EX: BCV25-25-AA-GS5
- For Electro Tin Plate, add "-SN" to catalog number. EX: BCV25-25-AA-SN



230 kV Aluminum Bolted Tee & Vee Connectors



### Ordering Information

CATALOG NUMBER	AAC RUN		ACSR RUN		AAC TAP		ACSR TAP		DIMENSIONS IN INCHES			BOLT SIZE	
	MIN	MAX	MIN	MAX	MIN	MAX	MIN	MAX	B	C	L	RUN	TAP
BCV10-10-AA	4	1/0	4	1/0	4	1/0	4	1/0	1-7/8	1-7/8	4-3/8	1/2	1/2
BCV25-25-AA	1/0	250	1/0	4/0	1/0	250	1/0	4/0	3	3	5-5/8	1/2	1/2
BCV40-25-AA	250	400	4/0	397.4	1/0	250	1/0	4/0	3	3	5-3/4	1/2	1/2
BCV40-40-AA	250	400	4/0	397.4	250	400	4/0	397.5	3	3	5-3/4	1/2	1/2
BCV40-60-AA	250	400	4/0	397.4	350	600	336.4	477	3	3	5-3/4	1/2	1/2
BCV40-90-AA	250	400	4/0	397.4	500	900	477	795	3	3	5-3/4	1/2	1/2
BCV60-25-AA	350	600	336.4	477	1/0	250	1/0	4/0	3	3	5-15/16	1/2	1/2
BCV60-40-AA	350	600	336.4	477	250	400	4/0	397.5	3	3	5-15/16	1/2	1/2
BCV60-60-AA	350	600	336.4	477	350	600	336.4	477	3	3	5-15/16	1/2	1/2
BCV60-90-AA	350	600	336.4	477	500	900	477	795	3	3	5-15/16	1/2	1/2
BCV90-25-AA	500	900	477	795	1/0	250	1/0	4/0	3	3	6-1/8	1/2	1/2
BCV90-30-AA	500	900	477	795	1/0	300	1/0	266.8	3	3	6-1/8	1/2	1/2
BCV90-40-AA	500	900	477	795	250	400	4/0	397.5	3	3	6-1/8	1/2	1/2
BCV90-60-AA	500	900	477	795	350	600	336	477	3	3	6-1/8	1/2	1/2



# 230 kV Aluminum Bolted Tee & Vee Connectors

**DOSSERT®**

**TYPE BCV-AA**

Cable to Cable Tee

## Ordering Information

CATALOG NUMBER	AAC RUN		ACSR RUN		AAC TAP		ACSR TAP		DIMENSIONS IN INCHES			BOLT SIZE	
	MIN	MAX	MIN	MAX	MIN	MAX	MIN	MAX	B	C	L	RUN	TAP
BCV90-90-AA	500	900	477	795	500	900	477	795	3	3	6-1/8	1/2	1/2
BCV90-125-AA	500	900	477	795	900	1250	715	1113	3	3-1/4	6-3/8	1/2	1/2
BCV125-25-AA	900	1250	715	1113	1/0	250	1/0	4/0	3-1/4	3	6-5/16	1/2	1/2
BCV125-40-AA	900	1250	715	1113	250	400	4/0	397.5	3-1/4	3	6-5/16	1/2	1/2
BCV125-60-AA	900	1250	715	1113	350	600	336.4	477	3-1/4	3	6-5/16	1/2	1/2
BCV125-90-AA	900	1250	715	1113	500	900	477	795	3-1/4	3	6-5/16	1/2	1/2
BCV125-125-AA	900	1250	715	1113	900	1250	715	1113	3-1/4	3-1/4	6-9/16	1/2	1/2
BCV125-160-AA	900	1250	715	1113	1250	1600	1113	1431	4-3/8	4-3/8	7-11/16	1/2	5/8
BCV160-25-AA	1250	1600	1113	1431	1/0	250	1/0	4/0	4-3/8	3	6-7/8	5/8	1/2
BCV160-40-AA	1250	1600	1113	1431	250	400	4/0	397.5	4-3/8	3	6-7/8	5/8	1/2
BCV160-60-AA	1250	1600	1113	1431	350	600	336.4	477	4-3/8	3	6-7/8	5/8	1/2
BCV160-60S-AA	1250	1600	1113	1431	4/0	600	3/0	477	4-3/8	3	6-7/8	5/8	1/2
BCV160-90-AA	1250	1600	1113	1431	500	900	477	795	4-3/8	3	6-7/8	5/8	1/2
BCV160-125-AA	1250	1600	1113	1431	900	1250	715	1113	4-3/8	3-1/4	7-1/8	5/8	1/2
BCV160-160-AA	1250	1600	1113	1431	1250	1600	1113	1431	4-3/8	4-3/8	8-1/4	5/8	5/8
BCV160-200-AA	1250	1600	1113	1431	1500	2000	1272	1780	4-3/8	4-1/2	8-3/8	5/8	5/8
BCV200-25-AA	1500	2000	1272	1780	1/0	250	1/0	4/0	4-1/2	3	7-1/8	5/8	1/2
BCV200-40-AA	1500	2000	1272	1780	250	400	4/0	397.5	4-1/2	3	7-1/8	5/8	1/2
BCV200-60-AA	1500	2000	1272	1780	350	600	336.4	477	4-1/2	3	7-1/8	5/8	1/2
BCV200-90-AA	1500	2000	1272	1780	500	900	477	795	4-1/2	3	7-1/8	5/8	1/2
BCV200-125-AA	1500	2000	1272	1780	900	1250	715	1113	4-1/2	3-1/4	7-3/8	5/8	1/2
BCV200-160-AA	1500	2000	1272	1780	1250	1600	1113	1431	4-1/2	4-3/8	8-1/2	5/8	5/8
BCV200-200-AA	1500	2000	1272	1780	1500	2000	1272	1780	4-1/2	4-1/2	8-5/8	5/8	5/8
BCV200-250-AA	1500	2000	1272	1780	2000	2500	1780	2300	4-1/2	4-1/2	8-5/8	5/8	5/8
BCV250-25-AA	2000	2500	1780	2300	1/0	250	1/0	4/0	4-1/2	3	7-1/4	5/8	1/2
BCV250-40-AA	2000	2500	1780	2300	250	400	4/0	397.5	4-1/2	3	7-1/4	5/8	1/2
BCV250-60-AA	2000	2500	1780	2300	350	600	336.4	477	4-1/2	3	7-1/4	5/8	1/2
BCV250-90-AA	2000	2500	1780	2300	500	900	477	795	4-1/2	3	7-1/4	5/8	1/2
BCV250-125-AA	2000	2500	1780	2300	900	1250	715	1113	4-1/2	3-1/4	7-1/2	5/8	1/2
BCV250-160-AA	2000	2500	1780	2300	1250	1600	1113	1431	4-1/2	4-3/8	8-5/8	5/8	5/8
BCV250-200-AA	2000	2500	1780	2300	1500	2000	1272	1780	4-1/2	4-1/2	8-3/4	5/8	5/8
BCV250-250-AA	2000	2500	1780	2300	2000	2500	1780	2300	4-1/2	4-1/2	8-3/4	5/8	5/8
BCV250-300-AA	2000	2500	1780	2300	2500	3000	1780	2870	4-1/2	4-1/2	8-3/4	5/8	5/8
BCV250-350-AA	2000	2500	1780	2300	3000	3500	-	-	4 1/2	4 1/2	8 3/4	5/8	5/8
BCV300-25-AA	2500	3000	2312	2870	1/0	250	1/0	4/0	4-1/2	3	7-3/8	5/8	1/2
BCV300-40-AA	2500	3000	2312	2870	250	400	4/0	397.5	4-1/2	3	7-3/8	5/8	1/2
BCV300-60-AA	2500	3000	2312	2870	350	600	366.4	477	4-1/2	3	7-3/8	5/8	1/2
BCV300-90-AA	2500	3000	2312	2870	500	900	477	795	4-1/2	3	7-3/8	5/8	1/2
BCV300-125-AA	2500	3000	2312	2870	900	1250	715	1113	4-1/2	3-1/4	7-3/8	5/8	1/2
BCV300-160-AA	2500	3000	2312	2870	1250	1600	1113	1431	4-1/2	4-3/8	9	5/8	5/8
BCV300-200-AA	2500	3000	2312	2870	1500	2000	1272	1780	4-1/2	4-1/2	9-1/8	5/8	5/8
BCV300-250-AA	2500	3000	2312	2870	2000	2500	1780	2300	4-1/2	4-1/2	8-13/16	5/8	5/8
BCV300-300-AA	2500	3000	2312	2870	2500	3000	2312	2870	4-1/2	4-1/2	8-13/16	5/8	5/8
BCV350-40-AA	3000	3500	-	-	250	400	4/0	397.4	4 1/2	3	8 13/16	5/8	1/2
BCV350-125-AA	3000	3500	-	-	250	400	4/0	397.4	4 1/2	3 1/4	8 13/16	5/8	1/2
BCV350-200-AA	3000	3500	-	-	1500	2000	1780	2300	4 1/2	4 1/2	8 13/16	5/8	5/8
BCV350-350-AA	3000	3500	-	-	3000	2500	-	-	4 1/2	4 1/2	8 13/16	5/8	5/8

230 kV Aluminum Bolted Tee & Vee Connectors