

## DOSSERT<sup>®</sup> TYPE UT-AA, UUT-AA U-bolt Tee Connector

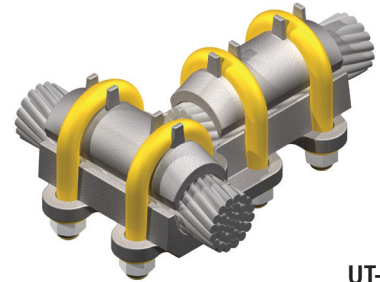
A rugged U-bolt high compression clamp type tee connector which takes a wide range of cable sizes in both the run and tap sections. Designed to withstand high compressive clamping action on all cables within specified cable ranges.

### Material

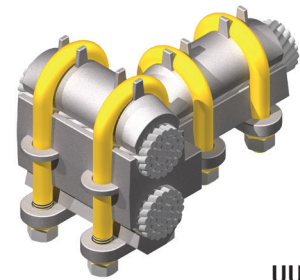
Aluminum Alloy

### Hardware

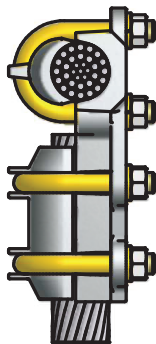
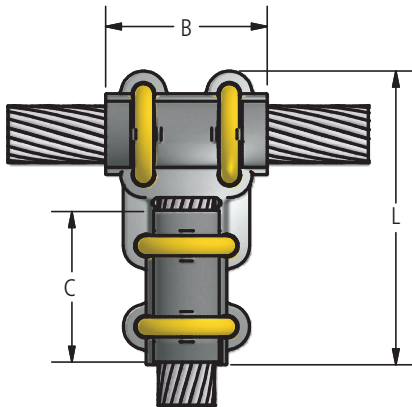
Yellow anodized aluminum U-bolts, nuts, and lockwashers.



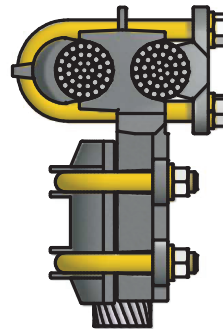
UT-AA



UUT-AA



UT-AA



UUT-AA

*continued*  
→



# 230 kV Aluminum Bolted Tee & Vee Connectors

## DOSSERT® TYPE UT-AA, UUT-AA U-bolt Tee Connector

### Ordering Information

CATALOG NUMBER		AAC CONDUCTOR				DIMENSION IN INCHES				
UT-AA	UUT-AA	CABLE RANGE		TAP		B	C	L	U-BOLT	
		MIN	MAX	MIN	MAX				RUN	TAP
UT13-13-AA	UUT13-13-AA	#6 STR	2/0 STR	#6 STR	2/0 STR	3.00	3.00	5.38	1/2	1/2
UT21-13-AA	UUT21-13-AA	#1 STR	4/0 STR	#6 STR	2/0 STR	3.00	3.00	5.50	1/2	1/2
UT21-21-AA	UUT21-21-AA	#1 STR	4/0 STR	#1 STR	4/0 STR	3.00	3.00	5.50	1/2	1/2
UT30-13-AA	UUT30-13-AA	1/0 STR	300 MCM	#6 STR	2/0 STR	3.25	3.00	5.63	1/2	1/2
UT30-21-AA	UUT30-21-AA	1/0 STR	300 MCM	#1 STR	4/0 STR	3.25	3.00	5.63	1/2	1/2
UT30-30-AA	UUT30-30-AA	1/0 STR	300 MCM	1/0 STR	300 MCM	3.25	3.25	5.88	1/2	1/2
UT50-13-AA	UUT50-13-AA	300 MCM	500 MCM	#6 STR	2/0 STR	3.25	3.00	5.75	1/2	1/2
UT50-21-AA	UUT50-21-AA	300 MCM	500 MCM	#1 STR	4/0 STR	3.25	3.00	5.75	1/2	1/2
UT50-30-AA	UUT50-30-AA	300 MCM	500 MCM	1/0 STR	300 MCM	3.25	3.25	6.00	1/2	1/2
UT50-50-AA	UUT50-50-AA	300 MCM	500 MCM	300 MCM	500 MCM	3.25	3.25	6.00	1/2	1/2
UT90-13-AA	UUT90-13-AA	500 MCM	900 MCM	#6 STR	2/0 STR	3.50	3.00	6.06	1/2	1/2
UT90-21-AA	UUT90-21-AA	500 MCM	900 MCM	#1 STR	4/0 STR	3.50	3.00	6.06	1/2	1/2
UT90-30-AA	UUT90-30-AA	500 MCM	900 MCM	1/0 STR	300 MCM	3.50	3.25	6.31	1/2	1/2
UT90-50-AA	UUT90-50-AA	500 MCM	900 MCM	300 MCM	500 MCM	3.50	3.25	6.31	1/2	1/2
UT90-90-AA	UUT90-90-AA	500 MCM	900 MCM	500 MCM	900 MCM	3.50	3.50	6.56	1/2	1/2
UT100-30-AA	UUT100-30-AA	750 MCM	1000 MCM	1/0 STR	300 MCM	3.50	3.25	6.38	1/2	1/2
UT100-50-AA	UUT100-50-AA	750 MCM	1000 MCM	300 MCM	500 MCM	3.50	3.25	6.38	1/2	1/2
UT100-90-AA	UUT100-90-AA	750 MCM	1000 MCM	500 MCM	900 MCM	3.50	3.50	6.63	1/2	1/2
UT100-100-AA	UUT100-100-AA	750 MCM	1000 MCM	750 MCM	1000 MCM	3.50	3.50	6.63	1/2	1/2
UT125-30-AA	UUT125-30-AA	600 MCM	1250 MCM	1/0 STR	300 MCM	3.50	3.25	6.50	1/2	1/2
UT125-50-AA	UUT125-50-AA	600 MCM	1250 MCM	300 MCM	500 MCM	3.50	3.25	6.50	1/2	1/2
UT125-90-AA	UUT125-90-AA	600 MCM	1250 MCM	500 MCM	900 MCM	3.50	3.50	6.75	1/2	1/2
UT125-100-AA	UUT125-100-AA	600 MCM	1250 MCM	750 MCM	1000 MCM	3.50	3.50	6.75	1/2	1/2
UT125-125-AA	UUT125-125-AA	600 MCM	1250 MCM	600 MCM	1250 MCM	3.50	3.50	6.75	1/2	1/2
UT150-30-AA	UUT150-30-AA	1000 MCM	1500 MCM	1/0 STR	300 MCM	4.50	3.25	6.88	5/8	1/2
UT150-50-AA	UUT150-50-AA	1000 MCM	1500 MCM	300 MCM	500 MCM	4.50	3.25	6.88	5/8	1/2
UT150-90-AA	UUT150-90-AA	1000 MCM	1500 MCM	500 MCM	900 MCM	4.50	3.50	7.13	5/8	1/2
UT150-100-AA	UUT150-100-AA	1000 MCM	1500 MCM	750 MCM	1000 MCM	4.50	3.50	7.13	5/8	1/2
UT150-150-AA	UUT150-150-AA	1000 MCM	1500 MCM	1000 MCM	1500 MCM	4.50	4.50	8.00	5/8	5/8
UT200-30-AA	UUT200-30-AA	1500 MCM	2000 MCM	1/0 STR	300 MCM	4.50	3.25	7.06	5/8	1/2
UT200-50-AA	UUT200-50-AA	1500 MCM	2000 MCM	300 MCM	500 MCM	4.50	3.25	7.06	5/8	1/2
UT200-90-AA	UUT200-90-AA	1500 MCM	2000 MCM	500 MCM	900 MCM	4.50	3.50	7.31	5/8	1/2
UT200-100-AA	UUT200-100-AA	1500 MCM	2000 MCM	750 MCM	1000 MCM	4.50	3.50	7.31	5/8	1/2
UT200-150-AA	UUT200-150-AA	1500 MCM	2000 MCM	1000 MCM	1500 MCM	4.50	4.50	8.31	5/8	5/8
UT200-200-AA	UUT200-200-AA	1500 MCM	2000 MCM	1500 MCM	2000 MCM	4.50	4.50	8.31	5/8	5/8
UT250-30-AA	UUT250-30-AA	2000 MCM	2500 MCM	1/0 STR	300 MCM	4.50	3.25	7.56	5/8	1/2
UT250-50-AA	UUT250-50-AA	2000 MCM	2500 MCM	300 MCM	500 MCM	4.50	3.25	7.31	5/8	1/2
UT250-90-AA	UUT250-90-AA	2000 MCM	2500 MCM	500 MCM	900 MCM	4.50	3.50	7.56	5/8	1/2
UT250-100-AA	UUT250-100-AA	2000 MCM	2500 MCM	750 MCM	1000 MCM	4.50	3.50	7.56	5/8	1/2
UT250-150-AA	UUT250-150-AA	2000 MCM	2500 MCM	1000 MCM	1500 MCM	4.50	4.50	8.56	5/8	5/8
UT250-200-AA	UUT250-200-AA	2000 MCM	2500 MCM	1500 MCM	2000 MCM	4.50	4.50	8.56	5/8	5/8
UT250-250-AA	UUT250-250-AA	2000 MCM	2500 MCM	2000 MCM	2500 MCM	4.50	4.50	8.56	5/8	5/8

continued



# 230 kV Aluminum Bolted Tee & Vee Connectors

## DOSSERT® TYPE UT-AA, UUT-AA U-bolt Tee Connector

### Ordering Information

CATALOG NUMBER		ACSR CONDUCTOR				DIMENSION IN INCHES				
UT-AA	UUT-AA	CABLE RANGE		TAP		B	C	L	U-BOLT	
		MIN	MAX	MIN	MAX				RUN	TAP
UT13-13-AA	UUT13-13-AA	6 (6/1)	2/0 (6/1)	6 (6/1)	2/0 (6/1)	3.00	3.00	5.38	1/2	1/2
UT21-13-AA	UUT21-13-AA	1 (6/1)	3/0 (6/1)	6 (6/1)	2/0 (6/1)	3.00	3.00	5.50	1/2	1/2
UT21-21-AA	UUT21-21-AA	1 (6/1)	3/0 (6/1)	1 (6/1)	3/0 (6/1)	3.00	3.00	5.50	1/2	1/2
UT30-13-AA	UUT30-13-AA	1/0 (6/1)	266.8 (18/1)	6 (6/1)	2/0 (6/1)	3.25	3.00	5.63	1/2	1/2
UT30-21-AA	UUT30-21-AA	1/0 (6/1)	266.8 (18/1)	1 (6/1)	3/0 (6/1)	3.25	3.00	5.63	1/2	1/2
UT30-30-AA	UUT30-30-AA	1/0 (6/1)	266.8 (18/1)	1/0 (6/1)	266.8 (18/1)	3.25	3.25	5.88	1/2	1/2
UT50-13-AA	UUT50-13-AA	266.8 (6/7)	477 (18/1)	6 (6/1)	2/0 (6/1)	3.25	3.00	5.75	1/2	1/2
UT50-21-AA	UUT50-21-AA	266.8 (6/7)	477 (18/1)	1 (6/1)	3/0 (6/1)	3.25	3.00	5.75	1/2	1/2
UT50-30-AA	UUT50-30-AA	266.8 (6/7)	477 (18/1)	1/0 (6/1)	266.8 (18/1)	3.25	3.25	6.00	1/2	1/2
UT50-50-AA	UUT50-50-AA	266.8 (6/7)	477 (18/1)	266.8 (6/7)	477 (18/1)	3.25	3.25	6.00	1/2	1/2
UT90-13-AA	UUT90-13-AA	477 (18/1)	795 (54/7)	6 (6/1)	2/0 (6/1)	3.50	3.00	6.06	1/2	1/2
UT90-21-AA	UUT90-21-AA	477 (18/1)	795 (54/7)	1 (6/1)	3/0 (6/1)	3.50	3.00	6.06	1/2	1/2
UT90-30-AA	UUT90-30-AA	477 (18/1)	795 (54/7)	1/0 (6/1)	266.8 (18/1)	3.50	3.25	6.31	1/2	1/2
UT90-50-AA	UUT90-50-AA	477 (18/1)	795 (54/7)	266.8 (6/7)	477 (18/1)	3.50	3.25	6.31	1/2	1/2
UT90-90-AA	UUT90-90-AA	477 (18/1)	795 (54/7)	477 (18/1)	795 (54/7)	3.50	3.50	6.56	1/2	1/2
UT100-30-AA	UUT100-30-AA	636 (30/19)	900 (45/7)	1/0 (6/1)	266.8 (18/1)	3.50	3.25	6.38	1/2	1/2
UT100-50-AA	UUT100-50-AA	636 (30/19)	900 (45/7)	266.8 (6/7)	477 (18/1)	3.50	3.25	6.38	1/2	1/2
UT100-90-AA	UUT100-90-AA	636 (30/19)	900 (45/7)	477 (18/1)	795 (54/7)	3.50	3.50	6.63	1/2	1/2
UT100-100-AA	UUT100-100-AA	636 (30/19)	900 (45/7)	636 (30/19)	900 (45/7)	3.50	3.50	6.63	1/2	1/2
UT125-30-AA	UUT125-30-AA	636 (36/1)	1113 (54/19)	1/0 (6/1)	266.8 (18/1)	3.50	3.25	6.50	1/2	1/2
UT125-50-AA	UUT125-50-AA	636 (36/1)	1113 (54/19)	266.8 (6/7)	477 (18/1)	3.50	3.25	6.50	1/2	1/2
UT125-90-AA	UUT125-90-AA	636 (36/1)	1113 (54/19)	477 (18/1)	795 (54/7)	3.50	3.50	6.75	1/2	1/2
UT125-100-AA	UUT125-100-AA	636 (36/1)	1113 (54/19)	636 (30/19)	900 (45/7)	3.50	3.50	6.75	1/2	1/2
UT125-125-AA	UUT125-125-AA	636 (36/1)	1113 (54/19)	636 (36/1)	1113 (54/19)	3.50	3.50	6.75	1/2	1/2
UT150-30-AA	UUT150-30-AA	954 (45/7)	1351.5 (45/7)	1/0 (6/1)	266.8 (18/1)	4.50	3.25	6.88	5/8	1/2
UT150-50-AA	UUT150-50-AA	954 (45/7)	1351.5 (45/7)	266.8 (6/7)	477 (18/1)	4.50	3.25	6.88	5/8	1/2
UT150-90-AA	UUT150-90-AA	954 (45/7)	1351.5 (45/7)	477 (18/1)	795 (54/7)	4.50	3.50	7.13	5/8	1/2
UT150-100-AA	UUT150-100-AA	954 (45/7)	1351.5 (45/7)	636 (30/19)	900 (45/7)	4.50	3.50	7.13	5/8	1/2
UT150-150-AA	UUT150-150-AA	954 (45/7)	1351.5 (45/7)	954 (45/7)	1351.5 (45/7)	4.50	4.50	8.00	5/8	5/8
UT200-30-AA	UUT200-30-AA	1351.3 (45/7)	1780 (84/19)	1/0 (6/1)	266.8 (18/1)	4.50	3.25	7.06	5/8	1/2
UT200-50-AA	UUT200-50-AA	1351.3 (45/7)	1780 (84/19)	266.8 (6/7)	477 (18/1)	4.50	3.25	7.06	5/8	1/2
UT200-90-AA	UUT200-90-AA	1351.3 (45/7)	1780 (84/19)	477 (18/1)	795 (54/7)	4.50	3.50	7.31	5/8	1/2
UT200-100-AA	UUT200-100-AA	1351.3 (45/7)	1780 (84/19)	636 (30/19)	900 (45/7)	4.50	3.50	7.31	5/8	1/2
UT200-150-AA	UUT200-150-AA	1351.3 (45/7)	1780 (84/19)	954 (45/7)	1351.5 (45/7)	4.50	4.50	8.31	5/8	5/8
UT200-200-AA	UUT200-200-AA	1351.3 (45/7)	1780 (84/19)	1351.3 (45/7)	1780 (84/19)	4.50	4.50	8.31	5/8	5/8
UT250-30-AA	UUT250-30-AA	2034 (72/7)	2312 (76/19)	1/0 (6/1)	266.8 (18/1)	4.50	3.25	7.56	5/8	1/2
UT250-50-AA	UUT250-50-AA	2034 (72/7)	2312 (76/19)	266.8 (6/7)	477 (18/1)	4.50	3.25	7.31	5/8	1/2
UT250-90-AA	UUT250-90-AA	2034 (72/7)	2312 (76/19)	477 (18/1)	795 (54/7)	4.50	3.50	7.56	5/8	1/2
UT250-100-AA	UUT250-100-AA	2034 (72/7)	2312 (76/19)	636 (30/19)	900 (45/7)	4.50	3.50	7.56	5/8	1/2
UT250-150-AA	UUT250-150-AA	2034 (72/7)	2312 (76/19)	954 (45/7)	1351.5 (45/7)	4.50	4.50	8.56	5/8	5/8
UT250-200-AA	UUT250-200-AA	2034 (72/7)	2312 (76/19)	1351.3 (45/7)	1780 (84/19)	4.50	4.50	8.56	5/8	5/8
UT250-250-AA	UUT250-250-AA	2034 (72/7)	2312 (76/19)	2034 (72/7)	2312 (76/19)	4.50	4.50	8.56	5/8	5/8

230 kV Aluminum Bolted Tee & Vee Connectors