

## DOSSERT® TYPE CFTL-AA

### Cable to Flat Bar Tee Connector

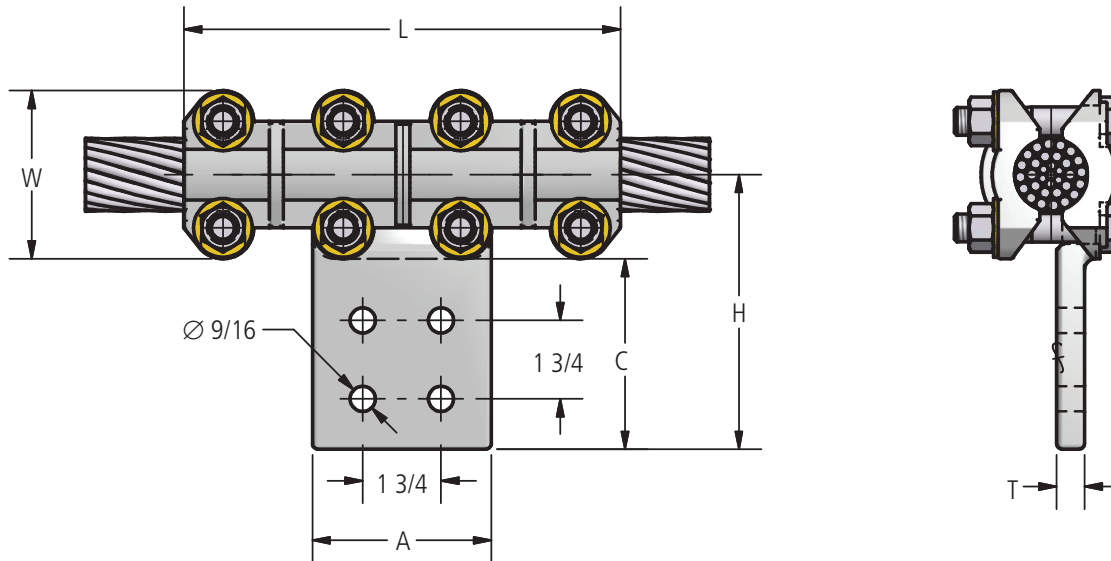
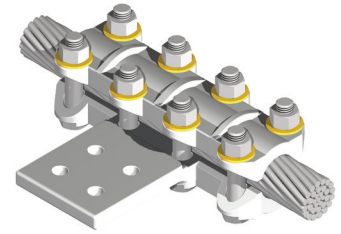
Tee tap is designed to provide terminal connections on side of a cable. Eight clamp bolts insure positive electrical contact. Pad conforms to NEMA standards.

#### Material

Aluminum Alloy

#### Hardware

Yellow anodized aluminum bolts, nuts, and lockwashers.



### Ordering Information

CATALOG NUMBER	CABLE RANGE				DIMENSIONS IN INCHES						
	AAC		ACSR		A	C	H	L	T	W	BOLT SIZE
	MIN	MAX	MIN	MAX							
CFTL20A-4N-AA	250	336.4	4/0	203.2	3	3	4-1/2	6	3/8	2-15/32	1/2
CFTL34A-4N-AA	350	400	203.2	336.4	3	3	4-1/2	6	3/8	2-5/8	1/2
CFTL60-4N-AA	350	600	336.4	477	3	3	4-3/8	6-3/4	1/2	2-3/4	1/2
CFTL60-4N4-AA	350	600	336.4	477	4	4	5-3/8	6-3/4	1/2	2-3/4	1/2
CFTL64A-4N4-AA	700	900	605	666.6	4	4	5-5/8	8	1/2	2-3/4	1/2
CFTL135-4N4-AA	1192.5	1351.5	1033.5	1192.5	4	4	5-13/16	10	5/8	3-3/32	1/2
CFTL200-4N4-AA	1700	2000	1510.5	1590	4	4	6-1/8	10	5/8	3-3/4	5/8
CFTL250-4N4-AA	2000	2500	1780	2156	4	4	6-1/4	10	3/4	3-15/16	5/8
CFTL300-4N4-AA	2500	3000	2156	2870	4	4	6-5/16	10	3/4	4-1/8	5/8