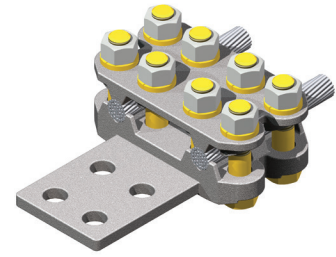


DOSSERT® TYPE T2CV-AA, T2CVA-30-AA, T2CVA-45-AA, T2CVA-90-AA Aluminum Terminal for 2 Cables

Terminal is designed to connect stranded aluminum or ACSR conductors to aluminum pads. Pad conforms to NEMA standards. Terminals are designed with a universal groove to accept a wide range of conductor sizes. Captive bolts permit one wrench tightening of nuts.



Material

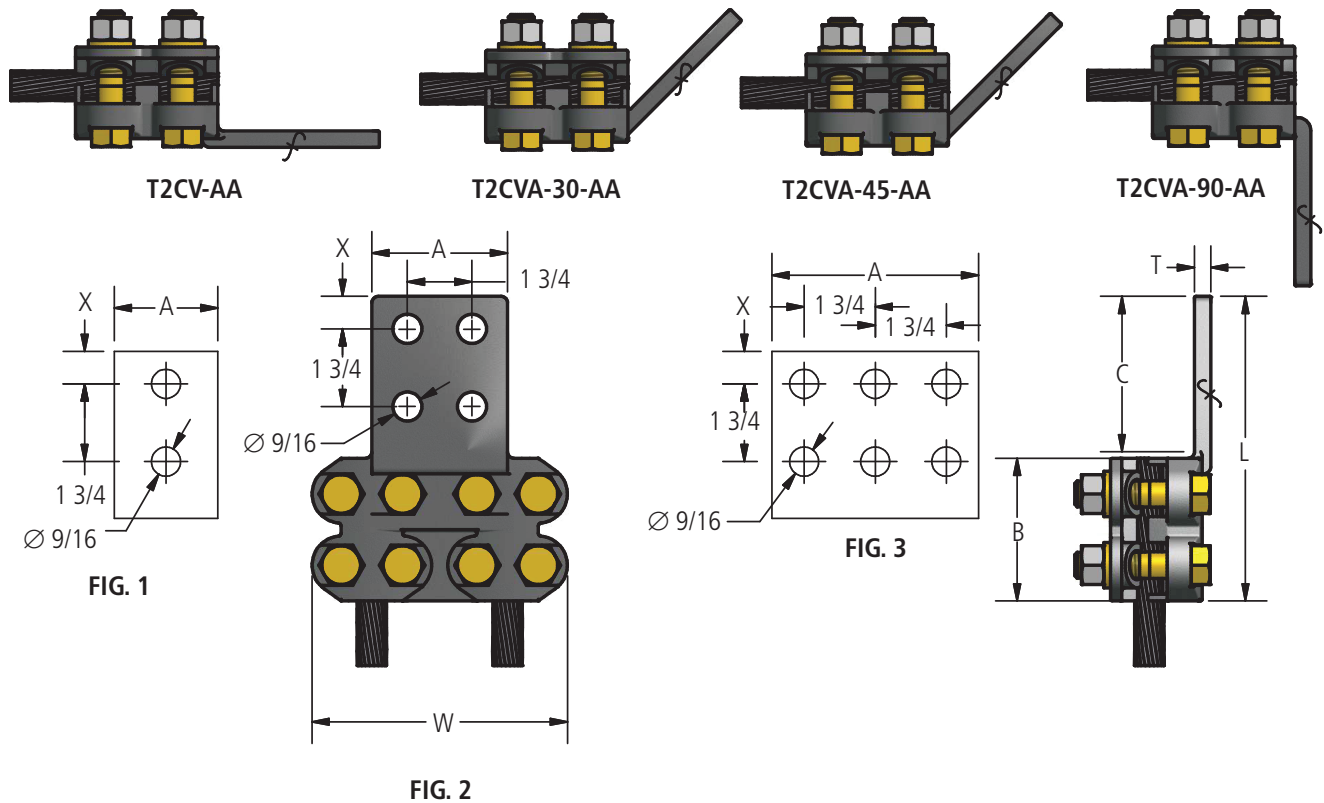
Aluminum Alloy

Material

Yellow anodized aluminum nuts, bolts and lockwashers.

Note

- For a 30°, add suffix '-30'; 45°, add suffix '-45'; and 90°, add suffix '-90' to catalog number. Also add 'A' after T2CV. EX: T2CVA25-4N4-90-AA



DOSSERT®

TYPE T2CV-AA, T2CVA-30-AA,
T2CVA-45-AA, T2CVA-90-AA
Aluminum Terminal for 2 Cables

Ordering Information

CATALOG NUMBER	CABLE RANGE				FIG. NO.	DIMENSIONS IN INCHES							BOLT SIZE
	AAC		ACSR			A	B	C	L	T	W	X	
	MIN	MAX	MIN	MAX									
T2CV25-4N-AA	# 1/0	250	# 1/0	#4/0	2	3	3	3	6 1/4	5/16	4 3/4	5/8	1/2
T2CV25-4N4-AA	# 1/0	250	# 1/0	#4/0	2	4	3	4	7 1/4	5/16	4 3/4	1 1/8	1/2
T2CV40-4N-AA	250	400	#4/0	397.5	2	3	3	3	6 1/4	3/8	5 1/16	5/8	1/2
T2CV40-4N4-AA	250	400	#4/0	397.5	2	4	3	4	7 1/4	3/8	5 1/16	1 1/8	1/2
T2CV60-4N-AA	350	600	336.4	477	2	3	3	3	6 1/4	3/8	5 3/8	5/8	1/2
T2CV60-4N4-AA	350	600	336.4	477	2	4	3	4	7 1/4	3/8	5 3/8	1 1/8	1/2
T2CV90-4N-AA	500	900	477	795	2	3	3	3	6 1/4	1/2	5 7/8	5/8	1/2
T2CV90-4N4-AA	500	900	477	795	2	4	3	4	7 1/4	1/2	5 7/8	1 1/8	1/2
T2CV125-2N-AA	900	1250	715	1113	1	2	3 1/4	3	7 1/2	5/8	6 1/4	5/8	1/2
T2CV125-4N-AA	900	1250	715	1113	2	3	3 1/4	3	6 1/2	5/8	6 1/4	5/8	1/2
T2CV125-4N4-AA	900	1250	715	1113	2	4	3 1/4	4	7 1/2	5/8	6 1/4	1 1/8	1/2
T2CV125-6N4-AA	900	1250	715	1192.5	3	6	3 1/4	4	7 7/8	5/8	6 1/4	1 1/8	1/2
T2CV160-4N-AA	1250	1600	1113	1431	2	3	4 3/8	3	7 5/8	3/4	7 3/8	5/8	5/8
T2CV160-4N4-AA	1250	1600	1113	1431	2	4	4 3/8	4	8 5/8	3/4	7 3/8	1 1/8	5/8
T2CV200-4N-AA	1500	2000	1272	1780	2	3	4 1/2	3	7 3/4	7/8	7 5/8	5/8	5/8
T2CV200-4N4-AA	1500	2000	1272	1780	2	4	4 1/2	4	8 3/4	7/8	7 5/8	1 1/8	5/8
T2CV250-4N-AA	2000	2500	1780	2300	2	3	4 1/2	3	7 3/4	7/8	8	5/8	5/8
T2CV250-4N4-AA	2000	2500	1780	2300	2	4	4 1/2	4	8 3/4	7/8	8	1 1/8	5/8
T2CV364-5N4-AA	3000	3640	-	-	3	5	4 1/2	3	8 3/4	7/8	8 3/4	1 1/8	5/8