

DOSSERT®

TYPE T3CV-AA

Aluminum Terminal

Material

Aluminum Alloy

Material

Aluminum nuts, bolts and lockwashers.

Notes

- For Stainless Steel Hardware, add "-SS" to catalog number. EX: T3CV125-4N4-AA-SS
- For Stainless Steel bolts, lockwashers and Everdur nuts, add "-SSHBN" to catalog number. EX: T3CV125-4N4-AA-SSHBN
- For Galvanized Steel Hardware, add "-GS" to catalog number. EX: T3CV125-4N4-AA-GS
- For Angled Pad, add "A" to prefix and angle to catalog number. EX: T3CVA125-4N4-45-AA

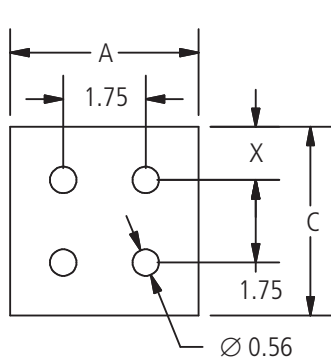
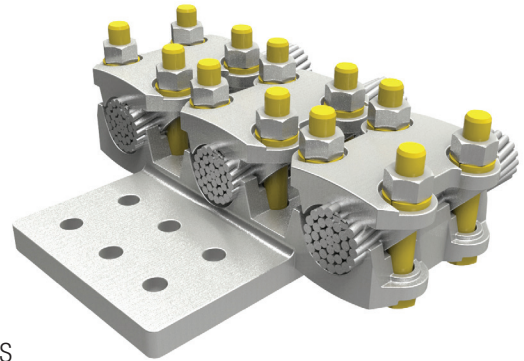


FIG. 1

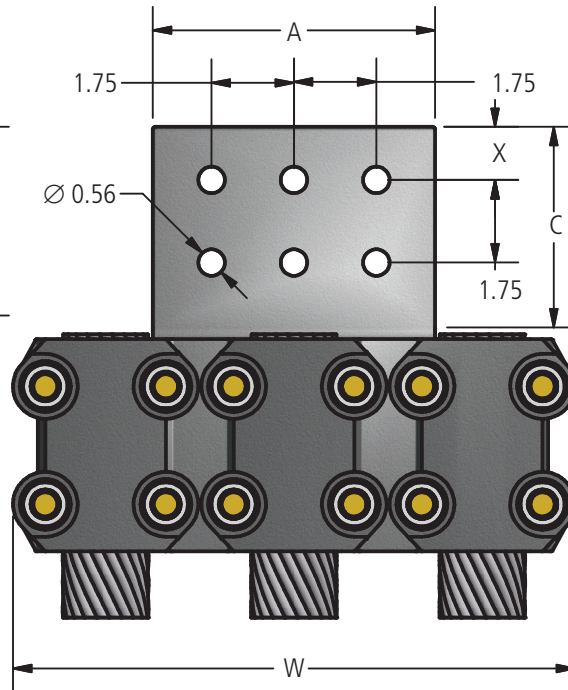
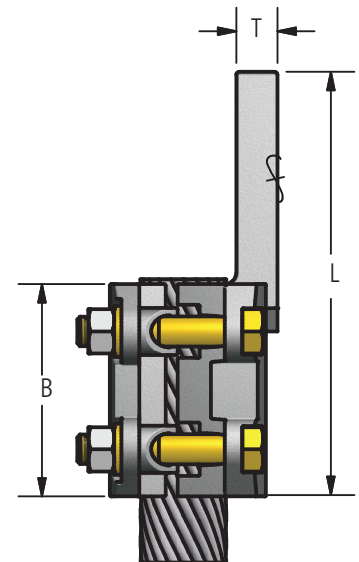


FIG. 2



DOSSERT®

TYPE T3CV-AA

Aluminum Terminal

Ordering Information

CATALOG NUMBER	CABLE RANGE				FIG. NO.	DIMENSIONS IN INCHES							BOLT SIZE
	ALUMINUM		ACSR			A	B	C	L	T	W	X	
	MIN	MAX	MIN	MAX									
T3CV25-4N-AA	# 1/0	250	# 1/0	#4/0	1	3.00	3.00	3.00	6.25	0.31	7.19	0.63	1/2
T3CV25-4N4-AA	# 1/0	250	# 1/0	#4/0	1	4.00	3.00	4.00	7.25	0.31	7.19	1.13	1/2
T3CV40-4N-AA	250	400	#4/0	397.5	1	3.00	3.00	3.00	6.25	0.38	7.75	0.63	1/2
T3CV40-4N4-AA	250	400	#4/0	397.5	1	4.00	3.00	4.00	7.25	0.38	7.75	1.13	1/2
T3CV60-4N-AA	350	600	336.4	477	1	3.00	3.00	3.00	6.25	0.38	8.63	0.63	1/2
T3CV60-4N4-AA	350	600	336.4	477	1	4.00	3.00	4.00	7.25	0.38	8.63	1.13	1/2
T3CV90-4N-AA	500	900	477	795	1	3.00	3.00	3.00	6.25	0.50	8.88	0.63	1/2
T3CV90-4N4-AA	500	900	477	795	1	4.00	3.00	4.00	7.25	0.75	8.88	1.13	1/2
T3CV90-5N4-AA	500	900	477	795	2	5.00	3.00	4.00	7.25	0.63	8.88	1.13	1/2
T3CV90-6N4-AA	500	900	477	795	2	6.00	3.00	4.00	7.25	0.50	8.88	1.13	1/2
T3CV125-4N-AA	900	1250	715	1113	1	3.00	3.25	3.00	6.50	0.63	9.44	0.63	1/2
T3CV125-4N4-AA	900	1250	715	1113	1	4.00	3.25	4.00	7.50	0.63	9.88	1.13	1/2
T3CV160-4N-AA	1250	1600	1113	1431	1	3.00	4.38	3.00	7.63	0.75	11.13	0.63	5/8
T3CV160-4N4-AA	1250	1600	1113	1431	1	4.00	4.38	4.00	8.75	0.75	11.13	1.13	5/8
T3CV160-6N4-AA	1250	1600	1113	1431	2	6.00	4.38	4.00	8.75	0.75	11.13	1.13	5/8
T3CV200-4N-AA	1500	2000	1272	1780	1	3.00	4.50	3.00	7.75	0.88	11.88	0.63	5/8
T3CV200-4N4-AA	1500	2000	1272	1780	1	4.00	4.50	4.00	8.75	0.88	11.88	1.13	5/8
T3CV200-6N4-AA	1500	2000	1272	1780	2	6.00	4.50	4.00	8.75	0.88	11.88	1.13	5/8
T3CV250-4N-AA	2000	2500	1780	2300	1	3.00	4.50	3.00	7.75	0.88	11.94	0.63	5/8
T3CV250-4N4-AA	2000	2500	1780	2300	1	4.00	4.50	4.00	8.75	0.88	12.06	1.13	5/8
T3CV250-6-4N4-AA	2000	2500	1780	2300	1	4.00	4.50	4.00	8.75	0.88	15.94	1.13	5/8
T3CV250-6N4-AA	2000	2500	1780	2300	2	6.00	4.50	4.00	8.75	0.88	12.06	1.13	5/8

230 kV Aluminum Bolted Terminal Connectors