

DOSSERT®

TYPE U2L-N-AA, U2LA-N-45-AA, U2LA-N-90-AA Aluminum Two Cable U Bolt Terminal

Terminals are designed to connect AAC or ACSR conductors to aluminum pads. Pads conform to NEMA standards. Terminals are designed with universal grooves to accept a wide range of conductor sizes. Captured U-bolts permit one wrench tightening of nuts.

Material

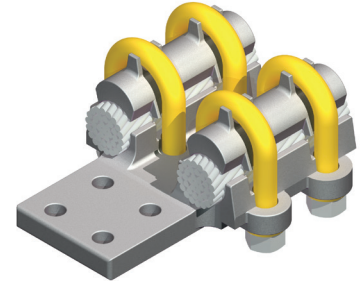
Aluminum Alloy

Hardware

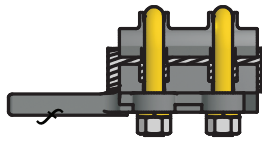
Aluminum U-bolts, lockwashers and nuts.

Notes

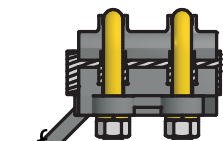
- Contact pads can be furnished to any specification size and hole pattern.



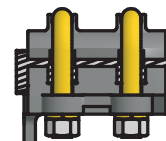
230 kV – Bolted Terminal Conn.



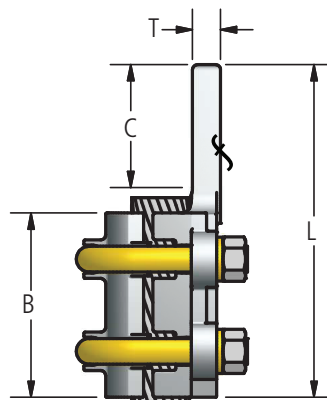
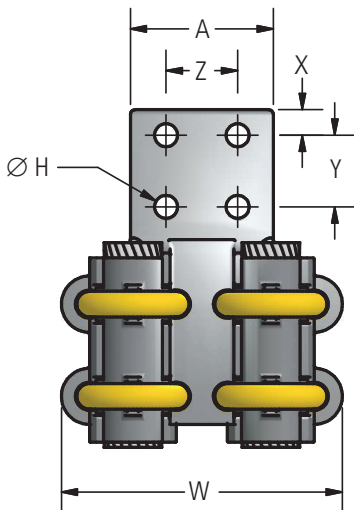
U2L-N-AA



U2LA-N-45-AA



U2LA-N-90-AA



Ordering Information

CATALOG NUMBER			CABLE RANGE		DIMENSIONS IN INCHES									
STRAIGHT	45 DEGREE	90 DEGREE	MIN	MAX	A	B	C	H	L	T	W	X	Y&Z	U-BOLT
U2L30-4N-AA	U2LA30-4N-45-AA	U2LA30-4N-90-AA	1/0	300	3.00	3.25	3.00	0.56	6.38	0.38	4.75	0.63	1.75	1/2
U2L50-4N-AA	U2LA50-4N-45-AA	U2LA50-4N-90-AA	300	500	3.00	3.25	3.00	0.56	6.50	0.38	5.00	0.63	1.75	1/2
U2L50-4N4-AA	U2LA50-4N4-45-AA	U2LA50-4N4-90-AA	300	500	4.00	3.25	4.00	0.56	7.50	0.38	5.00	1.13	1.75	1/2
U2L90-4N-AA	U2LA90-4N-45-AA	U2LA90-4N-90-AA	500	900	3.00	3.50	3.00	0.56	6.75	0.50	5.63	0.63	1.75	1/2
U2L90-4N4-AA	U2LA90-4N4-45-AA	U2LA90-4N4-90-AA	500	900	4.00	3.50	4.00	0.56	7.75	0.50	5.63	1.13	1.75	1/2
U2L100-4N-AA	U2LA100-4N-45-AA	U2LA100-4N-90-AA	750	1000	3.00	3.50	3.00	0.56	6.75	0.50	5.75	0.63	1.75	1/2
U2L100-4N4-AA	U2LA100-4N4-45-AA	U2LA100-4N4-90-AA	750	1000	4.00	3.50	4.00	0.56	7.75	0.50	5.75	1.13	1.75	1/2
U2L150-4N-AA	U2LA150-4N-45-AA	U2LA150-4N-90-AA	1000	1500	3.50	4.50	3.00	0.56	8.00	0.69	6.88	0.63	1.75	5/8
U2L150-4N4-AA	U2LA150-4N4-45-AA	U2LA150-4N4-90-AA	1000	1500	4.00	4.50	4.00	0.56	8.75	0.69	6.88	1.13	1.75	5/8
U2L200-4N4-AA	U2LA200-4N4-45-AA	U2LA200-4N4-90-AA	1500	2000	4.00	4.50	4.00	0.56	9.00	0.69	7.38	1.13	1.75	5/8