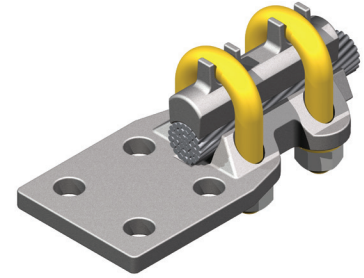


DOSSERT®

TYPE UL-N-AA, ULA-N-45-AA, ULA-N-90-AA Aluminum U-Bolt Terminal

A U-bolt type variable terminal lug for connecting cables to flat bar busses. Designed to operate at cooler than conductor temperatures under maximum load conditions with the largest size cable of the range of cable sizes. Contact pads other than those listed can be promptly furnished to any specified size or drilling.



Material

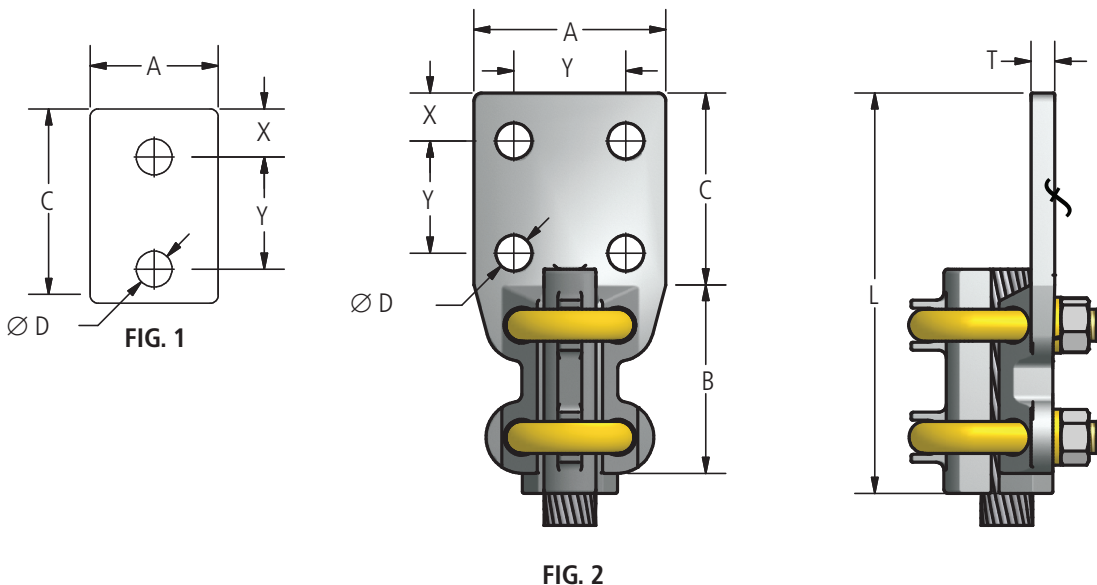
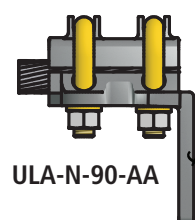
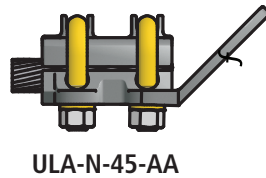
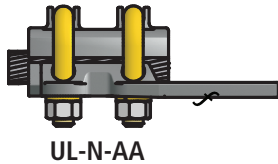
Aluminum Alloy

Hardware

Aluminum bolts, lockwashers and nuts.

Notes

- For a 900 MCM cable, with a two-hole pad, at a 45° angle, order ULA90-2N-45-AA.
- For a 900 MCM cable, with a two-hole pad, at a 90° angle, order ULA90-2N-90-AA.
- For finished pad on both sides, add "F" to catalog number. EX: ULA90-2NF-90-AA.





230 kV Aluminum Bolted Terminal Connectors

DOSSERT®

TYPE UL-N-AA, ULA-N-45-AA, ULA-N-90-AA

Aluminum U-Bolt Terminal

Ordering Information

CATALOG NUMBER			CABLE RANGE		FIG. NO.	DIMENSIONS IN INCHES									
STRAIGHT	45 DEGREE	90 DEGREE	MIN	MAX		A	B	C	D	L	T	X	Y	BOLT SIZE	
UL13-2N-AA	ULA13-2N-45-AA	ULA13-2N-90-AA	6	#2/0	1	1.50	3.00	3.00	0.56	6.50	0.31	0.63	1.75	1/2	
UL13-4N-AA	ULA13-4N-45-AA	ULA13-4N-90-AA	6	#2/0	2	3.00	3.00	3.00	0.56	6.50	0.31	0.63	1.75	1/2	
UL21-2-AA	ULA21-2-45-AA	ULA21-2-90-AA	1	#4/0	1	1.25	3.00	2.13	0.44	5.38	0.38	0.50	1.75	1/2	
UL21-2N-AA	ULA21-2N-45-AA	ULA21-2N-90-AA	1	#4/0	1	1.50	3.00	3.00	0.56	6.25	0.38	0.63	1.75	1/2	
UL21-4N-AA	ULA21-4N-45-AA	ULA21-4N-90-AA	1	#4/0	2	3.00	3.00	3.00	0.56	6.25	0.38	0.63	1.75	1/2	
UL21-4N4-AA	ULA21-4N4-45-AA	ULA21-4N4-90-AA	1	#4/0	2	4.00	3.00	4.00	0.56	7.25	0.38	1.13	1.75	1/2	
UL30-2N-AA	ULA30-2N-45-AA	ULA30-2N-90-AA	1/0	300	1	1.50	3.25	3.00	0.56	6.50	0.38	0.63	1.75	1/2	
UL30-4N-AA	ULA30-4N-45-AA	ULA30-4N-90-AA	1/0	300	2	3.00	3.25	3.00	0.56	6.50	0.38	0.63	1.75	1/2	
UL30-4N4-AA	ULA30-4N4-45-AA	ULA30-4N4-90-AA	1/0	300	2	4.00	3.25	4.00	0.56	7.50	0.38	1.13	1.75	1/2	
UL50-2N-AA	ULA50-2N-45-AA	ULA50-2N-90-AA	300	500	1	1.75	3.25	3.00	0.56	6.63	0.38	0.63	1.75	1/2	
UL50-4N-AA	ULA50-4N-45-AA	ULA50-4N-90-AA	300	500	2	3.00	3.25	3.00	0.56	6.63	0.38	0.63	1.75	1/2	
UL50-4N4-AA	ULA50-4N4-45-AA	ULA50-4N4-90-AA	300	500	2	4.00	3.25	4.00	0.56	7.50	0.38	1.13	1.75	1/2	
UL60-2N-AA	ULA60-2N-45-AA	ULA60-2N-90-AA	300	600	1	1.75	3.25	3.00	0.56	6.25	0.38	0.63	1.75	1/2	
UL90-2N-AA	ULA90-2N-45-AA	ULA90-2N-90-AA	500	900	1	1.75	3.50	3.00	0.56	6.75	0.50	0.63	1.75	1/2	
UL90-4N-AA	ULA90-4N-45-AA	ULA90-4N-90-AA	500	900	2	3.00	3.50	3.00	0.56	6.75	0.50	0.63	1.75	1/2	
UL90-4N4-AA	ULA90-4N4-45-AA	ULA90-4N4-90-AA	500	900	2	4.00	3.50	4.00	0.56	7.75	0.50	1.13	1.75	1/2	
UL100-2N-AA	ULA100-2N-45-AA	ULA100-2N-90-AA	750	1000	1	2.00	3.50	3.00	0.56	6.88	0.50	0.63	1.75	1/2	
UL100-4N-AA	ULA100-4N-45-AA	ULA100-4N-90-AA	750	1000	2	3.00	3.50	3.00	0.56	6.88	0.50	0.63	1.75	1/2	
UL100-4N4-AA	ULA100-4N4-45-AA	ULA100-4N4-90-AA	750	1000	2	4.00	3.50	4.00	0.56	8.00	0.50	1.13	1.75	1/2	
UL127-2N-AA	ULA127-2N-45-AA	ULA127-2N-90-AA	600	1272	1	2.00	3.50	3.00	0.56	6.75	0.63	0.63	1.75	1/2	
UL150-2N-AA	ULA150-2N-45-AA	ULA150-2N-90-AA	1000	1500	1	2.00	4.50	3.25	0.56	7.75	0.69	0.63	1.75	5/8	
UL150-4N-AA	ULA150-4N-45-AA	ULA150-4N-90-AA	1000	1500	2	3.00	4.50	3.00	0.56	7.75	0.63	0.63	1.75	5/8	
UL150-4N4-AA	ULA150-4N4-45-AA	ULA150-4N4-90-AA	1000	1500	2	4.00	4.50	4.00	0.56	8.75	0.63	1.13	1.75	5/8	
UL159-4N-AA	ULA159-4N-45-AA	ULA159-4N-90-AA	—	1590	2	3.00	4.50	3.00	0.56	7.75	0.63	0.63	1.75	5/8	
UL159-4N4-AA	ULA159-4N4-45-AA	ULA159-4N4-90-AA	—	1590	2	4.00	4.50	4.00	0.56	8.75	0.63	1.13	1.75	5/8	
UL200-2N-AA	ULA200-2N-45-AA	ULA200-2N-90-AA	1500	2000	1	2.75	4.50	3.00	0.56	7.75	0.69	0.63	1.75	5/8	
UL200-4N-AA	ULA200-4N-45-AA	ULA200-4N-90-AA	1500	2000	2	3.00	4.50	3.00	0.56	7.88	0.69	0.63	1.75	5/8	
UL200-4N4-AA	ULA200-4N4-45-AA	ULA200-4N4-90-AA	1500	2000	2	4.00	4.50	4.00	0.56	9.13	0.69	1.13	1.75	5/8	
UL200-4S4-AA	ULA200-4S4-45-AA	ULA200-4S4-90-AA	1500	2000	2	4.00	4.50	4.00	0.56	8.75	0.69	1.00	2.00	5/8	
UL250-4N-AA	ULA250-4N-45-AA	ULA250-4N-90-AA	2000	2500	2	3.00	4.50	3.00	0.56	7.75	0.75	0.63	1.75	5/8	
UL250-4N4-AA	ULA250-4N4-45-AA	ULA250-4N4-90-AA	2000	2500	2	4.00	4.50	4.00	0.56	8.75	0.75	1.13	1.75	5/8	

230 kV Aluminum Bolted Terminal Connectors