

### DOSSERT® TYPE GA-AA, GAA-AA

#### Two Conductor Flat Bar Ground Clamp

A two piece ground clamp for clamping two wires or cables to a flat bar, plate, or structural member. Permits a slight range of variability in accommodating different size conductors. Bolts are retained by body to enable assembling with only one wrench. Bolts are supplied to clamp a 1/4 Inch bar.

#### Material

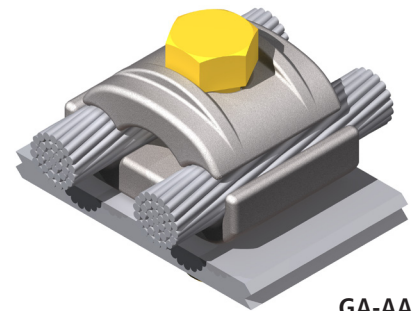
Aluminum Alloy

#### Hardware

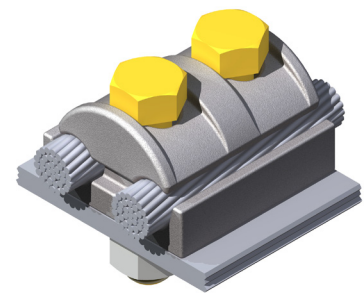
Yellow anodized aluminum bolts, nuts, and lockwashers.

#### Note

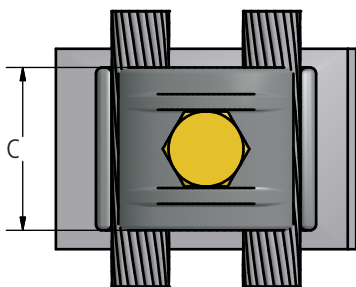
Bolt length supplied to clamp a 1/4" bar with maximum conductor in place. To obtain longer bolt add thickness of bar to the CAT.#. EX: For 1/2" thick bar order: GF13-T1/2-AA



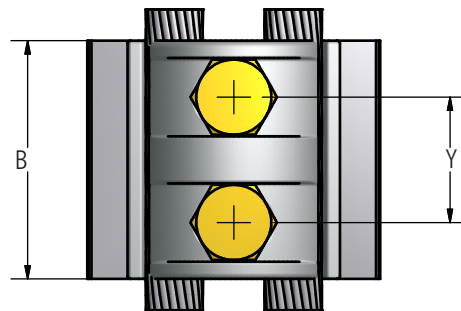
GA-AA



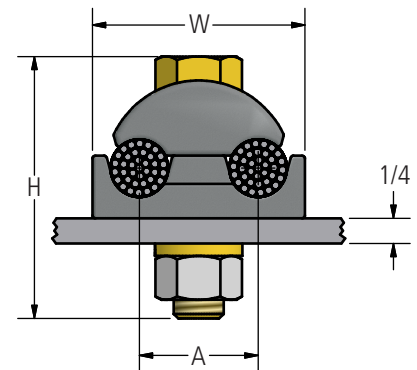
GAA-AA



GA-AA



GAA-AA



### Ordering Information

CATALOG NUMBER		CABLE RANGE AAC		DIMENSIONS IN INCHES						BOLT SIZE
GA-AA	GAA-AA	MIN	MAX	A	B	C	H	W	Y	
GA4-AA	GAA4-AA	8 SOL	4 STR	3/4	2	1 3/8	1 3/8	1 1/4	15/16	3/8
GA13-AA	GAA13-AA	4 SOL	2/0 STR	1	2	1 5/8	1 1/2	1 1/2	1	3/8
GA25-AA	GAA25-AA	2/0 SOL	250 MCM	1 1/4	2 1/2	1 3/4	2 1/4	2 1/4	1 1/4	1/2
GA50-AA	GAA50-AA	300 MCM	500 MCM	1 1/2	2 1/2	2	2 3/4	2 1/2	1 3/8	1/2
GA75-AA	GAA75-AA	550 MCM	750 MCM	1 3/4	3	2 3/8	3	3 1/4	1 9/16	5/8
GA100-AA	GAA100-AA	800 MCM	1000 MCM	2	3	2 1/2	3 1/4	3 5/8	1 9/16	5/8