

DOSSERT® TYPE GF-AA

Pipe Ground Clamp

A ground clamp for grounding a cable or wire to a flat bar, plate or flat structural steel member. The bolt is retained by the cap to enable assembly with only one wrench.

Material

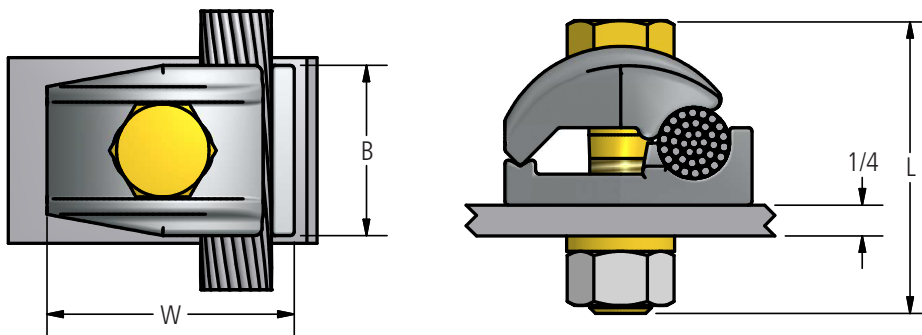
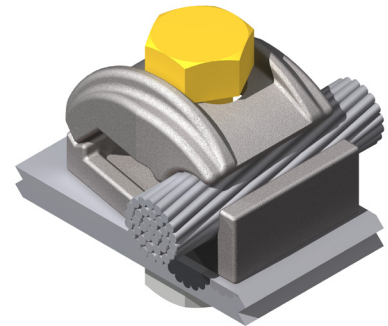
Aluminum Alloy

Hardware

Yellow anodized aluminum bolts, nuts, and lockwashers.

Note

Bolt length supplied to clamp a 1/4" bar with maximum conductor in place. To obtain longer bolt add thickness of bar to the CAT.#. EX: For 1/2" thick bar order: GF13-T1/2-AA



Ordering Information

CATALOG NUMBER	CONDUCTOR RANGE AAC		DIMENSIONS IN INCHES			BOLT SIZE
	MIN	MAX	B	L	W	
GF4-AA	8 Solid	4 Stranded	1	1 15/16	1 7/16	3/8
GF13-AA	4 Solid	2/0 Stranded	1 1/8	1 15/16	1 9/16	3/8
GF25-AA	2/0 Solid	250 MCM	1 3/8	2 1/4	2	1/2
GF30-AA	4 Solid	300 MCM	1 3/8	2 1/2	2 1/4	1/2
GF50-AA	300 MCM	500 MCM	1 1/2	2 3/4	2 7/16	1/2
GF75-AA	550 MCM	750 MCM	1 5/8	3 1/4	2 7/8	5/8
GF100-AA	800 MCM	1000 MCM	1 3/4	3 1/2	3 3/16	5/8