

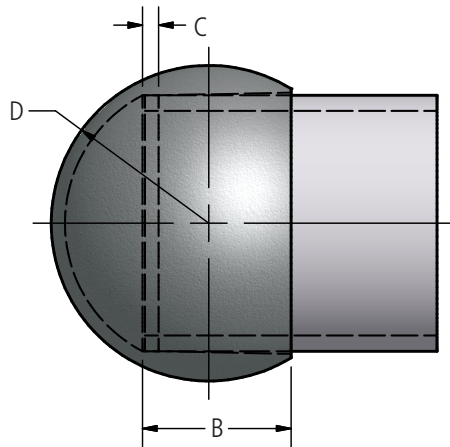
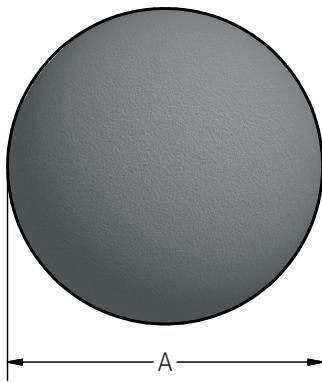
DOSSERT® TYPE CX-AA

Aluminum Corona Bell For Tubular Bus

Corona Bell for sealing the exposed ends of standard pipe size tubular buses. Prevents rain and undue condensation from accumulating inside the bus. The smooth rounded surfaces reduce electrostatic discharge thereby aiding in the reduction of power transmission losses.

Material

Aluminum Alloy



Ordering Information

CATALOG NUMBER	SPS	DIMENSIONS IN INCHES			
		A	B	C	D
CX50-AA	1/2	1 1/8	3/4	3/16	9/16
CX75-AA	3/4	1 3/8	7/8	1/4	11/16
CX100-AA	1	1 3/4	1 1/8	3/8	7/8
CX125-AA	1 1/4	2 1/8	1 1/4	7/16	1 1/16
CX150-AA	1 1/2	2 9/16	1 3/8	1/2	1 9/32
CX200-AA	2	3 1/8	1 1/2	9/16	1 9/16
CX250-AA	2 1/2	3 5/8	1 5/8	5/8	1 13/16
CX300-AA	3	4 5/16	1 7/8	11/16	2 5/32
CX350-AA	3 1/2	5	2 1/4	13/16	2 1/2
CX400-AA	4	5 1/2	2 1/2	27/32	2 3/4
CX450-AA	4 1/2	5 5/8	2 3/4	1	2 13/16
CX500-AA	5	6 3/4	3	7/8	3 3/8
CX600-AA	6	6 7/8	3 1/4	1 1/8	3 15/16