

DOSSERT®

TYPE XBC-AA

Aluminum Bus Support Coupler

A bus support coupler is designed to conduct the full rated load of the tubular buses, and at the same time permit free axial movement of each bus member. The shackle type fitting allows slight angular deviation of the buses from the horizontal position where they cannot be kept on a true plane.

Material

Aluminum Alloy

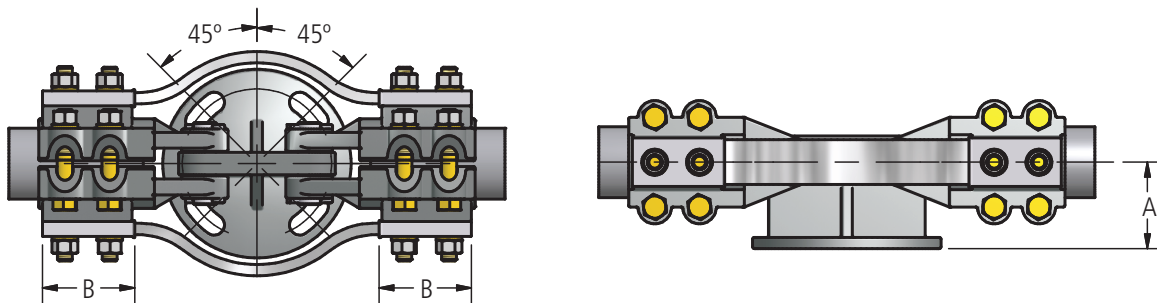
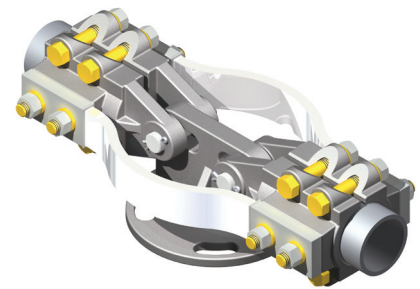
Lamination Material

Pure Aluminum

Hardware

Yellow anodized aluminum nuts, bolts and lockwashers.
Galvanized Steel mounting hardware included.

For base mounting dimensions and hardware see page 3 in the general catalog index.



Ordering Information

| CATALOG NUMBER | SPS | BOLT CIRCLE | DIMENSIONS IN INCHES | | |
|----------------|-------|-------------|----------------------|-------|-----------|
| | | | A | B | BOLT SIZE |
| XBC75-3-AA | 3/4 | 3 | 2 | 3 | 1/2 |
| XBC75-5-AA | 3/4 | 5 | 2-1/4 | 3 | 1/2 |
| XBC100-3-AA | 1 | 3 | 2 | 3 | 1/2 |
| XBC100-5-AA | 1 | 5 | 2-1/4 | 3 | 1/2 |
| XBC125-3-AA | 1-1/4 | 3 | 2-1/4 | 3 | 1/2 |
| XBC125-5-AA | 1-1/4 | 5 | 2-3/8 | 3 | 1/2 |
| XBC150-3-AA | 1-1/2 | 3 | 2-1/2 | 3 | 1/2 |
| XBC150-5-AA | 1-1/2 | 5 | 2-1/2 | 3 | 1/2 |
| XBC200-3-AA | 2 | 3 | 2-3/4 | 3-1/4 | 1/2 |
| XBC200-5-AA | 2 | 5 | 2-3/4 | 3-1/4 | 1/2 |
| XBC250-3-AA | 2-1/2 | 3 | 3-1/8 | 3-1/4 | 1/2 |
| XBC250-5-AA | 2-1/2 | 5 | 3-1/8 | 3-1/4 | 1/2 |
| XBC300-3-AA | 3 | 3 | 3-5/8 | 3-1/2 | 5/8 |
| XBC300-5-AA | 3 | 5 | 3-5/8 | 3-1/2 | 5/8 |
| XBC350-3-AA | 3-1/2 | 3 | 4 | 3-1/2 | 5/8 |
| XBC350-5-AA | 3-1/2 | 5 | 4 | 3-1/2 | 5/8 |
| XBC400-3-AA | 4 | 3 | 4-1/2 | 3-1/2 | 5/8 |
| XBC400-5-AA | 4 | 5 | 4-1/2 | 3-1/2 | 5/8 |
| XBC500-5-AA | 5 | 5 | 5-1/8 | 3-3/4 | 5/8 |
| XBC600-5-AA | 6 | 5 | 5-1/2 | 3-3/4 | 5/8 |