

## DOSSERT®

### TYPE XBCW-AA

#### Expansion Bus Support

Expansion support is designed to compensate for expansion and contraction during long bus runs. Laminated straps provide for 1.4" of expansion or contraction for pipe sizes 3/4" through 1-1/2" NPS. For pipe sizes 2" through 6" NPS, the straps allow for expansion or contraction of 2.6".

#### Material

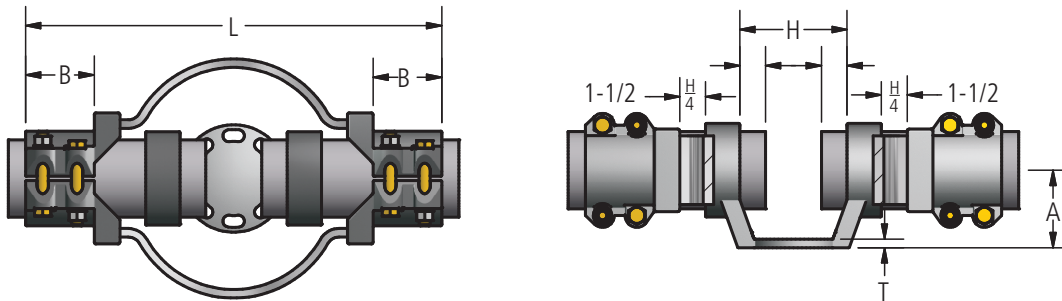
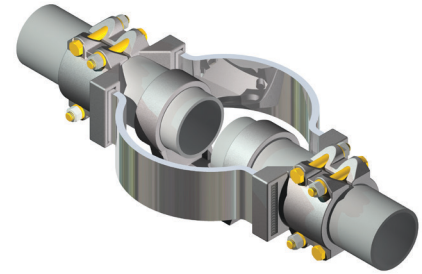
Aluminum Alloy

#### Hardware

Yellow anodized aluminum bolts, nuts, and lockwashers.  
Galvanized steel base mounting hardware is included.

#### Notes

For base mounting dimensions and hardware, see page 3 in the general information section.



### Ordering Information

CATALOG NUMBER		SPS	BOLT CIRCLE	DIMENSIONS IN INCHES					BOLT SIZE
STANDARD	WITH CHATTER SPRING			A	B	H	L	T	
XBCW100-3-AA	XBCW100-3-CH-AA	1	3	2	2-3/4	4-1/2	17	3/8	1/2
XBCW100-5-AA	XBCW100-5-CH-AA	1	5	2-1/4	2-3/4	6-1/4	18-3/4	3/8	1/2
XBCW125-3-AA	XBCW125-3-CH-AA	1-1/4	3	2-1/4	3	4-1/2	17-3/4	3/8	1/2
XBCW125-5-AA	XBCW125-5-CH-AA	1-1/4	5	2-3/8	3	6-1/4	19-1/2	3/8	1/2
XBCW150-3-AA	XBCW150-3-CH-AA	1-1/2	3	2-1/2	3	4-1/2	18	3/8	1/2
XBCW150-5-AA	XBCW150-5-CH-AA	1-1/2	5	2-1/2	3	6-1/4	19-3/4	3/8	1/2
XBCW200-3-AA	XBCW200-3-CH-AA	2	3	2-3/4	3-1/4	4-1/2	19-1/8	3/8	1/2
XBCW200-5-AA	XBCW200-5-CH-AA	2	5	2-3/4	3-1/4	6-1/4	20-7/8	3/8	1/2
XBCW250-3-AA	XBCW250-3-CH-AA	2-1/2	3	3-1/8	3-1/4	4-1/2	19-1/8	3/8	1/2
XBCW250-5-AA	XBCW250-5-CH-AA	2-1/2	5	3-1/8	3-1/4	6-1/4	20-7/8	3/8	1/2
XBCW300-3-AA	XBCW300-3-CH-AA	3	3	3-5/8	3-1/2	4-1/2	19-5/8	7/16	5/8
XBCW300-5-AA	XBCW300-5-CH-AA	3	5	3-5/8	3-1/2	6-1/4	21-3/8	7/16	5/8
XBCW350-3-AA	XBCW350-3-CH-AA	3-1/2	3	4	3-1/2	4-1/2	19-7/8	1/2	5/8
XBCW350-5-AA	XBCW350-5-CH-AA	3-1/2	5	4	3-1/2	6-1/4	21-5/8	1/2	5/8
XBCW350-7-AA	XBCW350-7-CH-AA	3-1/2	7	4	3-1/2	8-3/4	23-5/8	1/2	5/8
XBCW400-3-AA	XBCW400-3-CH-AA	4	3	4-1/2	3-3/4	5	21	1/2	5/8
XBCW400-5-AA	XBCW400-5-CH-AA	4	5	4-1/2	3-3/4	6-1/4	22-3/4	1/2	5/8
XBCW400-7-AA	XBCW400-7-CH-AA	4	7	4	3	8-3/4	27	1/2	5/8
XBCW500-3-AA	XBCW500-3-CH-AA	5	3	5	4	4-1/2	21-1/2	1/2	5/8
XBCW500-5-AA	XBCW500-5-CH-AA	5	5	5	4	6-1/4	23-1/4	1/2	5/8
XBCW500-7-AA	XBCW500-7-CH-AA	5	7	5	4	8-3/4	27	1/2	5/8
XBCW600-3-AA	XBCW600-3-CH-AA	6	3	5-1/2	4	4-1/2	21-1/2	1/2	5/8
XBCW600-5-AA	XBCW600-5-CH-AA	6	5	5-1/2	4	6-1/4	23-1/4	1/2	5/8
XBCW600-7-AA	XBCW600-7-CH-AA	6	7	5-1/2	4	8-3/4	27	1/2	5/8