

## DOSSERT<sup>®</sup> TYPE GPH-AA Ground Clamp

Designed to de-energize bus tube for maintenance. Stud is designed with tee shape for use on different bus sizes.

### Material

Aluminum Alloy

### Hardware

Aluminum bolts, nuts, and lockwashers.

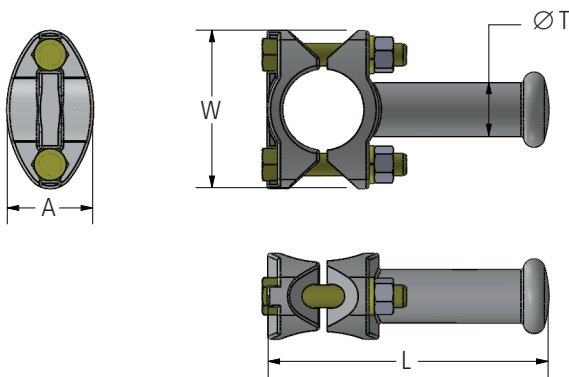


FIGURE 1

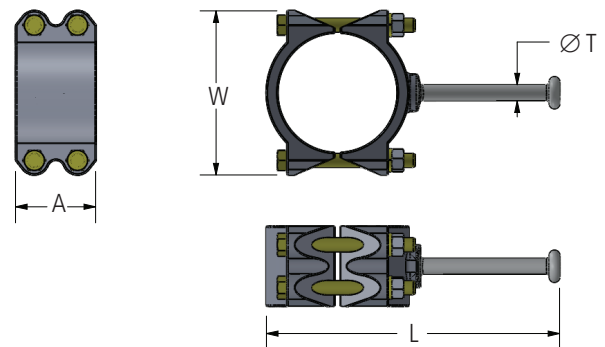


FIGURE 2

## Ordering Information

CATALOG NO.	FIGURE NO.	SPS	DIMENSIONS				BOLT SIZE
			A	L	T	W	
GPH150-AA	1	1 1/2	2	6 9/16	1 1/4	3 11/16	1/2
GPH200-AA	1	2	2	7 1/4	1 1/4	4 5/16	1/2
GPH250-AA	1	2 1/2	2	7 9/16	1 1/4	4 3/4	1/2
GPH300-AA	1	3	2	8 1/4	1 1/4	5 3/8	1/2
GPH350-AA	1	3 1/2	2	8 15/16	1 1/4	5 7/8	1/2
GPH400-AA	1	4	2	9 1/4	1 1/4	6 3/8	1/2
GPH500-AA	2	5	3 3/4	13 3/4	3/4	7 11/16	5/8
GPH600-AA	2	6	4	14 11/16	3/4	8 3/4	5/8