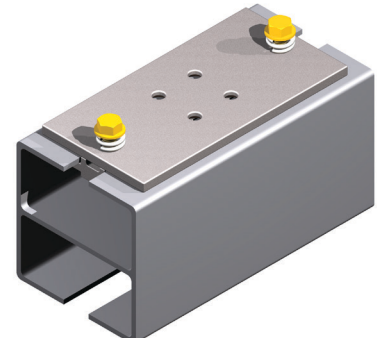


DOSSERT®

TYPE 31400 Bus Support Slip Or Fixed

The 31400 Series support is designed to provide reliable mounting for integral web channel bus (IWCB) conductors. Support may be used for tight fit or slip fit applications by rotating keeper. Assembly includes four galvanized steel flat head cap screws for mounting on insulator.



Material

Aluminum Alloy

Hardware

Yellow anodized aluminum bolts, nuts, and lockwashers.
Galvanized steel mounting hardware included.

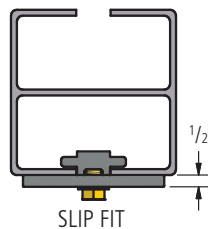
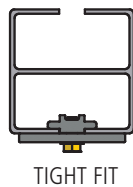
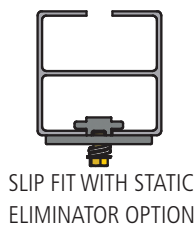
Ordering Instructions

Step 1: Determine the catalog number based on the IWCB being used and the bolt circle mount (BCM).

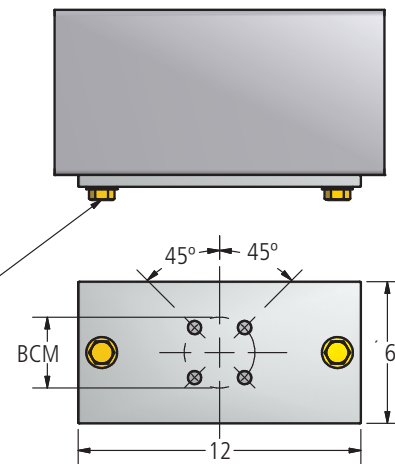
Step 2: For slip application, add 'AC'. For Fixed application, leave blank. Ex: A bus support for 4" x 4" IWCB with a 5" BCM for a slip application, the complete catalog number is: 31444-5AC

Step 3: Build Catalog Number

Slip or Fixed Application + Catalog Number



5/8 - 11 (ALUMINUM HARDWARE)



Ordering Information

CONDUCTOR SIZE	CATALOG NUMBER		NOMINAL WEIGHT		
	IWCB	3" BOLT CIRCLE (76.2 MM)	5" BOLT CIRCLE (127.0 MM)	3" BOLT CIRCLE	5" BOLT CIRCLE
IN			LBS	LBS	
4x4	31444-3	31444-5	6.2	6.3	
6x4	31464-3	31464-5	6.3	6.4	
6x5	31465-3	31465-5	7.9	8	
6x6	31466-3	31466-5	7.2	7.3	
7x7	31477-3	31477-5	7.2	7.3	
8x5	31485-3	31485-5	7.2	7.3	
8x8	31488-3	31488-5	7.2	7.3	