

DOSSERT® TYPE SP-AA Stud Connector to Pipe

A connector for joining a tubular bus conductor to a threaded stud.

Material

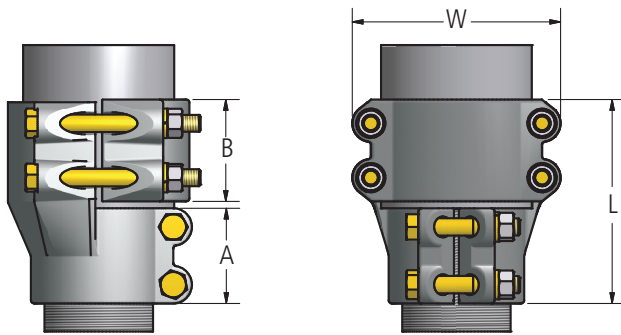
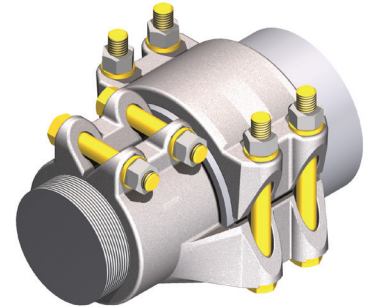
Aluminum Alloy

Hardware

Yellow anodized aluminum nuts, bolts and lockwashers.

Notes

1. For tin plating add suffix "-SN" to end of catalog number.
2. For no threads use suffix "T0" in catalog number. Ex: SP100-75-T0-AA-SN.



Ordering Information

CATALOG NUMBER	STUD DIAMETER	THREADS PER INCH	SPS	DIMENSIONS IN INCHES				BOLT SIZE	
				A	B	L	W	STUD	PIPE
SP125-150-T14-AA	1-1/4	14	1-1/2	2-3/4	3	6	3-5/8	1/2	1/2
SP100-75-T16-AA	1	16	3/4	2-3/4	2-3/4	5-3/4	2-13/16	1/2	1/2
SP150-300-T12-AA	1-1/2	12	3	2-3/4	3-1/2	6-1/2	5-5/8	1/2	1/2
SP112-75-T12-AA	1-1/8	12	3/4	2-3/4	2-3/4	5-3/4	2-13/16	1/2	1/2
SP112-100-T12-AA	1-1/8	12	1	2-3/4	2-3/4	5-3/4	3-1/16	1/2	1/2
SP112-125-T12-AA	1-1/8	12	1-1/4	2-3/4	3	6	3-7/16	1/2	1/2
SP112-150-T12-AA	1-1/8	12	1-1/2	2-3/4	3	6	3-5/8	1/2	1/2
SP118-250-T12-AA	1-3/6	12	2-1/2	2-3/4	3-1/4	6-1/4	4-1/8	1/2	1/2
SP150-100-T12-AA	1-1/2	12	1	2-3/4	2-3/4	5-3/4	3-1/16	1/2	1/2
SP150-125-T12-AA	1-1/2	12	1-1/4	2-3/4	3	6	3-7/16	1/2	1/2
SP150-150-T12-AA	1-1/2	12	1-1/2	2-3/4	3	6	3-5/8	1/2	1/2
SP150-200-T12-AA	1-1/2	12	2	2-3/4	3-1/4	6-1/4	4-1/8	1/2	1/2
SP150-250-T12-AA	1-1/2	12	2-1/2	2-3/4	3-1/4	6-1/4	4-1/8	1/2	1/2
SP200-100-T12-AA	2	12	1	2-3/4	2-3/4	5-3/4	3-1/16	1/2	1/2
SP200-125-T12-AA	2	12	1-1/4	2-3/4	3	6	3-7/16	1/2	1/2
SP200-150-T12-AA	2	12	1-1/2	2-3/4	3	6	3-5/8	1/2	1/2
SP200-200-T12-AA	2	12	2	2-3/4	3-1/4	6-1/4	4-1/8	1/2	1/2
SP200-250-T12-AA	2	12	2-1/2	2-3/4	3-1/4	6-1/4	4-1/8	1/2	1/2
SP200-350-T12-AA	2	12	3-1/2	2-3/4	3-3/4	6-3/4	6-1/8	1/2	5/8
SP400-500-T10-AA	4	10	5	3-1/2	3-3/4	7-1/2	7-3/4	5/8	5/8