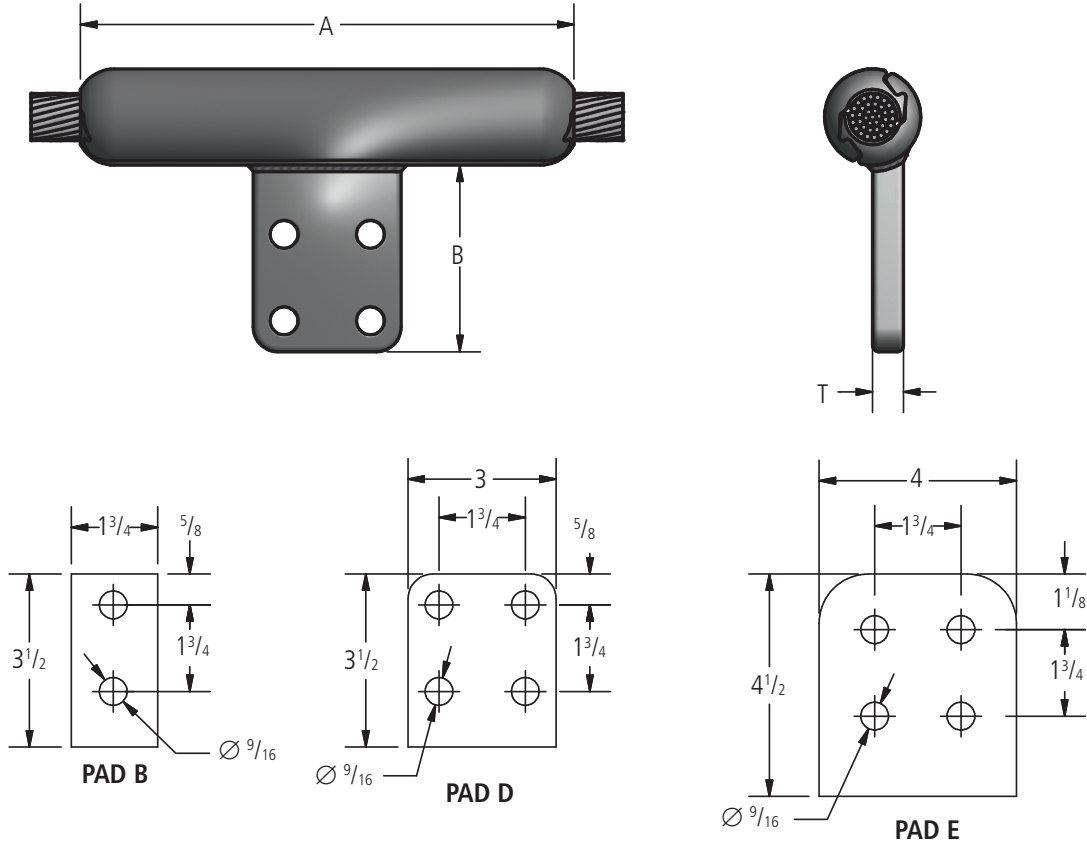
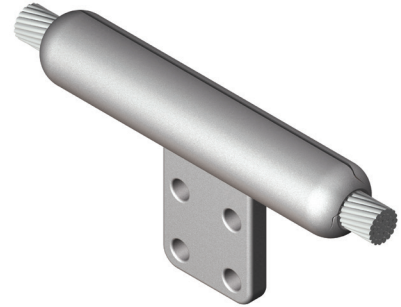


DOSSERT® Type 2800 Series

Substation tee connector is designed for limited space application as found in substations. Run length is shorter than conventional tee taps which saves space and allows faster installation. Tee tap is installed with standard AFL hex dies.



Ordering Information

CATALOG NUMBER	CONDUCTOR RANGE			PAD SIZE	DIE SIZE	ALTERNATE CATALOG NUMBER	ALTERNATE PAD SIZE	DIMENSIONS IN INCHES		NOMINAL WEIGHT LBS
	DIAMETER RANGE INCH	AAC	ACSR					A	T	
		MCM								
2876.1	.609 - .743	300 - 397.5	266.8(18/1) - 336.4(30/7)	B	76AH	2876.1D	D	8.5	0.5	0.73
2820.1	.718 - .840	397.5 - 500	336.4(26/7) - 477(18/1)	B	20AH	2820.1D	D	8.5	0.5	0.91
2824.1	.780 - .933	477 - 650	397.5(26/7) - 556.5(26/7)	B	24AH	2824.1D	D	8.5	0.5	1.2
2827.1	.932 - 1.020	700 - 750	556.5(30/7) - 666.6(24/7)	D	27AH	2827.1B	B	10	0.62	2.1
2830.1	1.021 - 1.196	795 - 1033.5	715.5(24/7) - 954(54/7)	D	30AH	2830.1B	B	10	0.62	2.6
2834.1	1.140 - 1.319	1000 - 1300	795(30/19) - 1192.5(45/7)	D	34AH	2834.1E	E	11.5	0.62	3.4
2836.1	1.320 - 1.417	1351.5 - 1510.5	1192.5(54/19) - 1351.5(45/7)	D	36AH	2836.1E	E	11.5	0.62	3.7
2838.1	1.412 - 1.500	1500 - 1590	1351.5(54/19) - 1510.5(45/7)	D	38AH	2838.1E	E	12	0.62	4.3
2840.1	1.496 - 1.557	1750	1510.5(54/19) - 1590(54/19)	D	40AH	2840.1E	E	12.5	0.62	4.8
2842.1	1.550 - 1.625	-	1780(84/19)	E	42AH	2842.1D	D	14	0.75	6.4
2844.1	1.626 - 1.842	2000 - 2500	2034(72/7) - 2312(76/19)	E	44AH	2844.1D	D	14	0.75	6.3
2848.1	1.843 - 1.996	2750	2515(76/19)	E	48AH	2848.1D	D	16	0.75	7.1