

DOSSERT® S5600-45 Series, S5800 Series Terminal Connectors

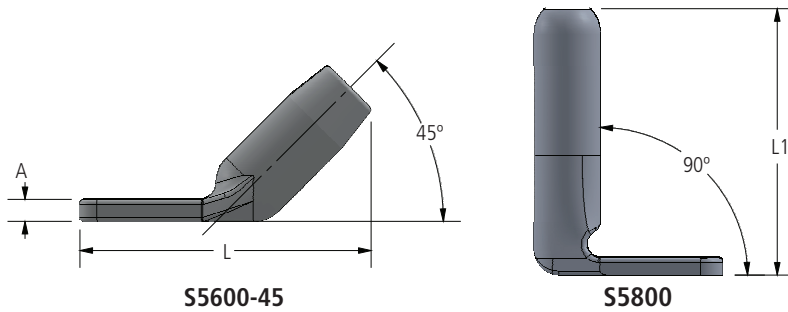
The S5600-45, S5800 Series Terminal Connector is designed for ACSR and AAC conductors. The terminal is fabricated from ACA seamless drawn aluminum.

Notes

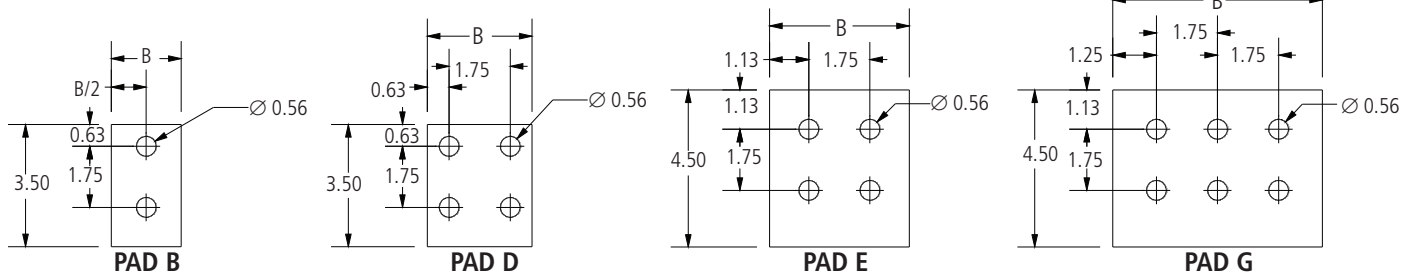
Other pads sizes can be custom ordered.



S5600-45



S5800



Ordering Information

CATALOG NUMBER		CONDUCTOR			DIE SIZE ALUMINUM HEX DIE	DIMENSIONS IN INCHES				PAD SIZE		
45 DEGREE	90 DEGREE	ACSR OR AAC	CODE WORD	SIZE KCMIL		STRANDING AL/ST	DIAMETER IN INCHES	A	B		L	L1
S5673.391-45	S5873.391	AAC	Poppy	1/0	7	0.368	73AH	0.20	1.00	5.04	5.04	B
S5674.438-45	S5874.438	ACSR	Raven	1/0	6/1	0.398	74AH	0.30	1.00	5.28	5.28	B
		AAC	Aster	2/0	7	0.414						
S5674.484-45	S5874.484	ACSR	Quail	2/0	6/1	0.447	74AH	0.30	1.00	5.28	5.28	B
		ACSR	Phlox	3/0	7	0.464						
S5675.547-45	S5875.547	ACSR	Pigeon	3/0	6/1	0.502	75AH	0.50	1.00	5.71	5.71	B
		AAC	Oxlip	4/0	7	0.522						
S5675.547D-45	S5875.547D	ACSR	Pigeon	3/0	6/1	0.502	75AH	0.50	3.00	6.89	5.71	D
		AAC	Oxlip	4/0	7	0.522						
S5675.609-45	S5875.609	ACSR	Penguin	4/0	6/1	0.563	75AH	0.50	1.00	5.71	5.71	B
		AAC	Valerian	250	19	0.575						
		AAC	Laurel	266.8	19	0.593						
S5676.656-45	S5876.656	ACSR	Waxwing	266.8	18/1	0.609	76AH	0.60	1.30	5.35	5.35	B
		AAC	Peony	300	19	0.629						
S5676.688-45	S5876.688	ACSR	Owl	266.8	6/7	0.633	76AH	0.60	1.30	5.35	5.35	B
		ACSR	Partridge	266.8	26/7	0.642						
		AAC	Tulip	336.4	19	0.666						
S5676.688D-45	S5876.688D	ACSR	Owl	266.8	6/7	0.633	76AH	0.50	3.00	7.02	5.35	D
		ACSR	Partridge	266.8	26/7	0.642						
		AAC	Tulip	336.4	19	0.666						

DOSSERT®

S5600-45 Series, S5800 Series Terminal Connectors

Ordering Information

CATALOG NUMBER		CONDUCTOR					DIE SIZE ALUMINUM HEX DIE	DIMENSIONS IN INCHES				PAD SIZE
45 DEGREE	90 DEGREE	ACSR OR AAC	CODE WORD	SIZE KCMIL	STRANDING AL/ST	DIAMETER IN INCHES		A	B	L	L1	
S5620.719-45	S5820.719	AAC	Daffodil	350	19	0.679	20AH	0.50	1.30	6.13	6.13	B
S5676.719-45	S5876.719	ACSR	Ostrich	300	26/7	0.680	76AH	0.50	1.30	5.35	5.35	B
		ACSR	Merlin	336.4	18/1	0.684						
S5620.781-45	S5820.781	ACSR	Linnet	336.4	26/7	0.720	20AH	0.50	1.30	6.13	6.13	B
		ACSR	Oriole	336.4	30/7	0.741						
		ACSR	Chickadee	397.5	18/1	0.743						
		ACSR	Linnet	336.4	26/7	0.720						
S5620.781D-45	S5820.781D	ACSR	Oriole	336.4	30/7	0.741	20AH	0.50	3.00	7.16	7.16	D
		ACSR	Chickadee	397.5	18/1	0.743						
		ACSR	Linnet	336.4	26/7	0.720						
S5676.781-45	S5876.781	ACSR	Linnet	336.4	26/7	0.720	76AH	0.50	1.30	5.35	5.35	B
		ACSR	Chickadee	397.5	18/1	0.743						
S5676.750-45	S5876.750	AAC	Canna	397.5	19	0.724	76AH	0.50	1.30	5.35	5.35	B
S5676.750D-45	S5876.750D	AAC	Canna	397.5	19	0.724	76AH	0.50	3.00	7.02	7.02	D
S5620.812-45	S5820.812	ACSR	Brant	397.5	24/7	0.772	20AH	0.50	1.30	6.13	6.13	B
		AAC	Goldentuft	450	19	0.770						
		AAC	Yarrow	450	37	0.772						
		AAC	Cosmos	477	19	0.793						
		AAC	Syringa	477	37	0.795						
S5620.812D-45	S5820.812D	ACSR	Brant	397.5	24/7	0.772	20AH	0.50	3.00	7.16	6.13	D
		AAC	Goldentuft	450	19	0.770						
		AAC	Yarrow	450	37	0.772						
		AAC	Cosmos	477	19	0.793						
		AAC	Syringa	477	37	0.795						
S5620.844-45	S5820.844	ACSR	Ibis	397.5	26/7	0.783	20AH	0.50	1.30	6.13	6.13	B
		ACSR	Lark	397.5	30/7	0.806						
S5624.875-45	S5824.875	ACSR	Pelican	477	18/1	0.814	24AH	0.60	1.50	7.58	7.58	B
		AAC	Cosmos	477	19	0.793						
		AAC	Syringa	477	37	0.795						
		AAC	Zinnia	500	19	0.811						
		AAC	Hyacinth	500	37	0.813						
S5624.875D-45	S5824.875D	ACSR	Pelican	477	18/1	0.814	24AH	0.50	3.00	8.27	8.27	D
		AAC	Cosmos	477	19	0.793						
		AAC	Syringa	477	37	0.795						
		AAC	Zinnia	500	19	0.811						
		AAC	Hyacinth	500	37	0.813						
S5624.938-45	S5824.938	ACSR	Flicker	477	24/7	0.846	24AH	0.60	1.50	7.58	7.58	B
		ACSR	Hawk	477	26/7	0.858						
		ACSR	Hen	477	30/7	0.883						
		ACSR	Osprey	556.5	18/1	0.879						
		AAC	Dahlia	556.5	19	0.856						
		AAC	Mistletoe	556.5	37	0.858						
		AAC	Meadowsweet	600	37	0.891						
S5624.969-45	S5824.969	ACSR	Parakeet	556.5	24/7	0.914	24AH	0.60	1.50	7.58	7.58	B
		ACSR	Dove	556.5	26/7	0.927						
		AAC	Orchid	636	37	0.918						
		AAC	Heuchera	650	37	0.928						
S5624.969D-45	S5824.969D	ACSR	Parakeet	556.5	24/7	0.914	24AH	0.50	3.00	8.83	5.34	D
		ACSR	Dove	556.5	26/7	0.927						
		AAC	Orchid	636	37	0.918						
		AAC	Heuchera	650	37	0.928						
S5627.100-45	S5827.100	ACSR	Eagle	556.5	30/7	0.953	27AH	0.40	3.00	7.35	7.35	D
		ACSR	Peacock	605	24/7	0.953						
		ACSR	Squab	605	26/7	0.966						
		ACSR	Swift	636	36/1	0.930						
		ACSR	Kingbird	636	18/1	0.940						
		AAC	Flag	700	61	0.964						

DOSSERT®

S5600-45 Series, S5800 Series Terminal Connectors

Ordering Information

CATALOG NUMBER		CONDUCTOR					DIE SIZE ALUMINUM HEX DIE	DIMENSIONS IN INCHES				PAD SIZE								
45 DEGREE	90 DEGREE	ACSR OR AAC	CODE WORD	SIZE KCMIL	STRANDING AL/ST	DIAMETER IN INCHES		A	B	L	L1									
S5627.106-45	S5827.106	ACSR	Teal	605	30/19	0.994	27AH	0.40	3.00	7.35	7.35	D								
		ACSR	Rook	636	24/7	0.977														
		ACSR	Grosbeak	636	26/7	0.990														
		ACSR	Egret	636	30/19	1.019														
		ACSR	Flamingo	666.6	24/7	1.000														
		AAC	Violet	715.5	37	0.974														
		AAC	Nasturtium	715.5	61	0.975														
		AAC	Petunia	750	37	0.997														
S5630.109-45	S5830.109	AAC	Cattail	750	61	0.998	30AH	0.50	3.00	7.63	7.63	D								
		ACSR	Stilt	715.5	24/7	1.036														
		ACSR	Starling	715.5	26/7	1.051														
		ACSR	Coot	795	36/1	1.040														
		AAC	Arbutus	795	37	1.026														
		AAC	Lilac	795	61	1.028														
		AAC	—	800	37	1.031														
		AAC	Heliotrope	800	61	1.031														
S5630.109E-45	S5830.109E	ACSR	Stilt	715.5	24/7	1.036	30AH	0.50	4.00	9.75	7.63	E								
		ACSR	Starling	715.5	26/7	1.051														
		ACSR	Coot	795	36/1	1.040														
		AAC	Arbutus	795	37	1.026														
		AAC	Lilac	795	61	1.028														
		AAC	—	800	37	1.031														
		AAC	Heliotrope	800	61	1.031														
		S5630.109G-45	S5830.109G	ACSR	Stilt	715.5							24/7	1.036	30AH	0.50	6.00	7.63	7.63	G
ACSR	Starling			715.5	26/7	1.051														
ACSR	Coot			795	36/1	1.040														
AAC	Arbutus			795	37	1.026														
AAC	Lilac			795	61	1.028														
AAC	—			800	37	1.031														
AAC	Heliotrope			800	61	1.031														
S5630.116-45	S5830.116			ACSR	Redwing	715.5	30/19	1.081	30AH	0.50	3.00	7.63	7.63	D						
		ACSR	Tern	795	45/7	1.063														
		ACSR	Condor	795	54/7	1.093														
		ACSR	Drake	795	26/7	1.108														
		ACSR	Cuckoo	795	24/7	1.092														
		AAC	Snapdragon	900	61	1.094														
		S5630.116E-45	S5830.116E	ACSR	Redwing	715.5	30/19	1.081							30AH	1.00	4.00	9.75	7.67	E
				ACSR	Tern	795	45/7	1.063												
ACSR	Condor			795	54/7	1.093														
ACSR	Drake			795	26/7	1.108														
ACSR	Cuckoo			795	24/7	1.092														
AAC	Snapdragon			900	61	1.094														
S5630.122-45	S5830.122			ACSR	Mallard	795	30/19	1.140	30AH	0.40	3.00	7.63	7.63	D						
				ACSR	Ruddy	900	45/7	1.131												
		ACSR	Canary	900	54/7	1.162														
		ACSR	Catbird	954	36/1	1.140														
		ACSR	Rail	954	45/7	1.165														
		AAC	Magnolia	954	37	1.124														
		AAC	Goldenrod	954	61	1.126														
		AAC	Camellia	1000	61	1.152														
S5630.125-45	S5830.125	AAC	Bluebell	1033.5	37	1.170	30AH	0.40	3.00	7.63	7.63	D								
		AAC	Larkspur	1033.5	61	1.172														
S5630.125-45	S5830.125	ACSR	Cardinal	954	54/7	1.196	30AH	0.40	3.00	7.63	7.63	D								
		ACSR	Tanager	1033.5	36/1	1.186														
S5634.128-45	S5834.128	ACSR	Ortolan	1033.5	45/7	1.212	34AH	0.60	3.00	8.20	8.20	D								
		AAC	Marigold	1113	61	1.216														
S5634.134-45	S5834.134	ACSR	Curlew	1033.5	54/7	1.244	34AH	0.60	3.00	8.20	8.20	D								
		ACSR	Bluejay	1113	45/7	1.259														
		AAC	Hawthorn	1192.5	61	1.258														
		AAC	Narcissus	1272	61	1.300														

DOSSERT®

S5600-45 Series, S5800 Series Terminal Connectors

Ordering Information

CATALOG NUMBER		CONDUCTOR					DIE SIZE ALUMINUM HEX DIE	DIMENSIONS IN INCHES				PAD SIZE
45 DEGREE	90 DEGREE	ACSR OR AAC	CODE WORD	SIZE KCMIL	STRANDING AL/ST	DIAMETER IN INCHES		A	B	L	L1	
S5634.134E-45	S5834.134E	ACSR	Curlew	1033.5	54/7	1.244	34AH	1.00	4.00	10.08	10.08	E
		ACSR	Bluejay	1113	45/7	1.259						
		AAC	Hawthorn	1192.5	61	1.258						
		AAC	Narcissus	1272	61	1.300						
S5634.138-45	S5834.138	ACSR	Bunting	1192.5	45/7	1.302	34AH	0.60	3.00	8.20	8.20	D
		ACSR	Finch	1113	54/19	1.293						
S5636.144-45	S5836.144	ACSR	Bittern	1272	45/7	1.345	36AH	0.60	3.00	8.23	8.23	D
		ACSR	Grackle	1192.5	54/19	1.333						
		AAC	Columbine	1351	61	1.340						
		AAC	Carnation	1431	61	1.379						
S5636.144E-45	S5836.144E	ACSR	Bittern	1272	45/7	1.345	36AH	1.00	4.00	10.70	10.70	E
		ACSR	Grackle	1192.5	54/19	1.333						
		AAC	Columbine	1351	61	1.340						
		AAC	Carnation	1431	61	1.379						
S5636.147-45	S5836.147	ACSR	Pheasant	1272	54/19	1.382	36AH	0.60	3.00	8.23	8.23	D
		ACSR	Dipper	1351.5	45/7	1.386						
		ACSR	—	1500	91	1.412						
		AAC	Gladiolus	1510.5	61	1.187						
S5638.150-45	S5838.150	ACSR	Martin	1351.5	54/19	1.424	38AH	0.80	3.00	8.85	8.85	D
		ACSR	Bobolink	1431	45/7	1.427						
S5638.156-45	S5838.156	ACSR	Plover	1431	54/19	1.465	38AH	0.70	3.00	8.85	8.85	D
		ACSR	Nuthatch	1510.5	45/7	1.466						
		AAC	Coreopsis	1590	61	1.250						
		AAC	Dogwood	1590	91	1.454						
S5638.156E-45	S5838.156E	ACSR	Plover	1431	54/19	1.465	38AH	1.00	4.00	9.75	9.75	E
		ACSR	Nuthatch	1510.5	45/7	1.466						
		AAC	Coreopsis	1590	61	1.250						
		AAC	Dogwood	1590	91	1.454						
S5640.162-45	S5840.162	ACSR	Parrot	1510.5	54/19	1.506	40AH	0.70	3.00	9.95	9.95	D
		ACSR	Lapwing	1590	45/7	1.504						
		ACSR	Falcon	1590	54/19	1.545						
		AAC	Jessamine	1750	61	1.525						
S5642.178-45	S5842.178	ACSR	Chukar	1780	84/19	1.602	42AH	0.70	4.00	10.28	10.28	E
		ACSR	—	2034	72/7	1.681						
		AAC	Cowslip	2000	91	1.630						
S5644.181-45	S5844.181	ACSR	Kiwi	2167	72/7	1.737	44AH	0.70	4.00	10.34	10.34	E
		AAC	Sagebrush	2250	91	1.729						
		AAC	—	2300	61	1.750						
		AAC	—	2300	91	1.750						
S5644.184-45	S5844.184	ACSR	Bluebird	2156	84/19	1.762	44AH	0.70	4.00	10.34	10.34	E
S5644.188-45	S5844.188	ACSR	Thrasher	2312	76/19	1.802	44AH	0.70	4.00	10.34	10.34	E
		AAC	Lupine	2500	91	1.823						
S5648.197-45	S5848.197	ACSR	Joree	2515	76/19	1.880	48AH	0.80	4.00	11.35	11.35	E
		AAC	Bitterroot	2750	91	1.912						