

DOSSERT® TYPE SEC-AA, SEC-P-AA Dead End Clamp

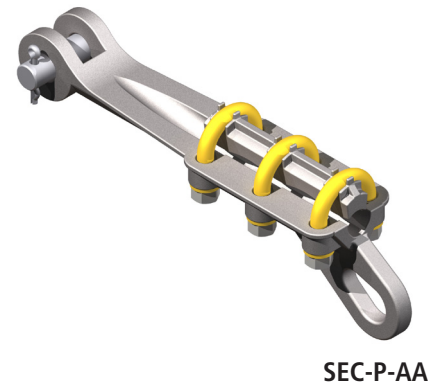
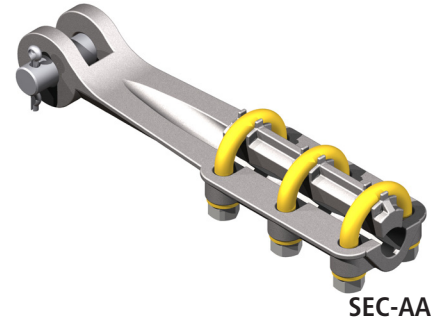
The SEC-AA is a straight dead end clamp with no pulling eye. The SEC-P-AA is a dead end clamp with a pulling eye.

Material

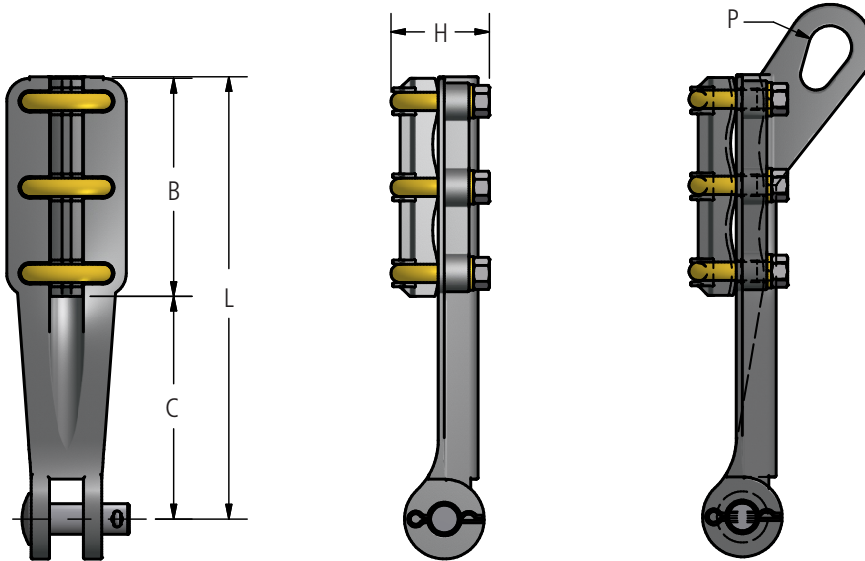
Aluminum Alloy

Hardware

Yellow anodized aluminum U-bolts, nuts and lockwashers.
Galvanized steel clevis pin, stainless steel cotter pin.



230 kV Aluminum
Dead End Clamps



Ordering Information

CATALOG NUMBER		CONDUCTOR RANGE AAC		DIMENSIONS IN INCHES					U-BOLT SIZE
SEC-AA	SEC-P-AA	MIN	MAX	B	C	H	L	P	
SEC21-AA	SEC21-P-AA	1 STR	4/0 STR	5 1/4	4 3/8	2 1/8	9 5/8	7/8	3/8
SEC35-AA	SEC35-P-AA	4/0 STR	350 MCM	5 3/8	4 3/8	2 5/8	9 3/4	1	3/8
SEC50-AA	SEC50-P-AA	350 MCM	500 MCM	5 3/4	4 5/8	2 3/4	10 3/8	1 1/8	1/2
SEC100-AA	SEC100-P-AA	500 MCM	1000 MCM	6 1/4	5	3 1/2	11 1/4	1 1/4	1/2
SEC103-AA	SEC103-P-AA	500 MCM	1033.5 ACSR	6 1/4	7 1/2	3 1/2	13 3/4	1 1/4	1/2
-	SEC200-P-AA	1500 MCM	2000 MCM	6 1/4	8	4 1/4	14 1/4	1 1/4	5/8