

DOSSERT® TYPE SEC-A-2U

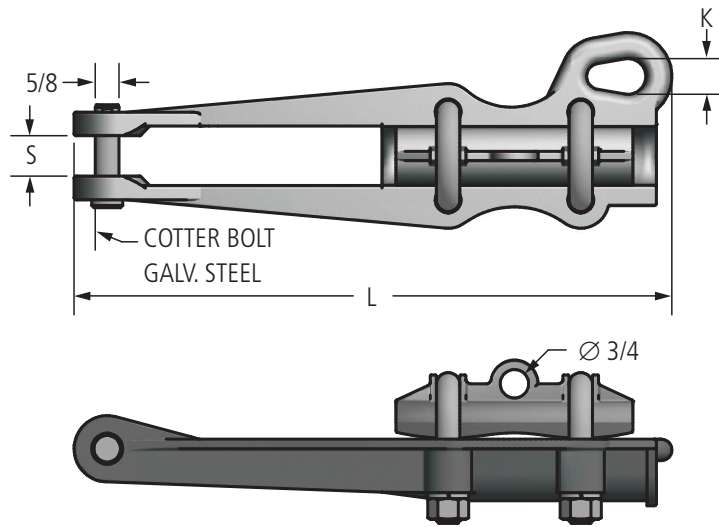
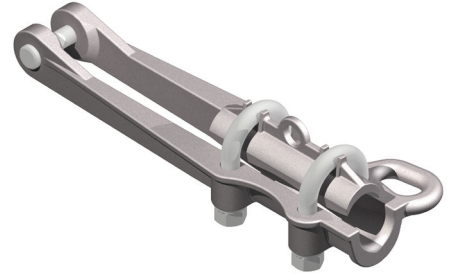
Straight Dead End Clamp with Pulling Eye

Material

Aluminum Alloy

Hardware

Galvanized steel bolts, nuts, and lockwashers.



Ordering Information

CATALOG NUMBER	CABLE RANGE AAC		CABLE RANGE ACSR		DIAMETER		DIMENSIONS IN INCHES			BOLT SIZE
	MIN	MAX	MIN	MAX	MIN	MAX	K	L	S	
SEC13A-2U	6 STR	2/0 STR	6	2/0	.184	.460	7/8	8 5/16	11/16	3/8
SEC26A-2U	2 STR	266.8 MCM	4	266.8 MCM	.247	.642	7/8	9 5/8	11/16	1/2
SEC34A-2U	3/0	350 MCM	3/0	336.4 MCM	.464	.741	7/8	9 3/4	13/16	1/2
SEC48A-2U	4/0	556.5 MCM	3/0	477 MCM	.522	.858	7/8	9 3/4	13/16	1/2
SEC64A-2U	300 MCM	795 MCM	266.8 MCM	666 MCM	.626	1.026	15/16	11	1 1/16	1/2
SEC111A-2U	600 MCM	1272 MCM	556.5 MCM	1113 MCM	.879	1.300	15/16	12 5/8	1 1/16	1/2
SEC159A-2U	750 MCM	1800 MCM	715.5 MCM	1590 MCM	.987	1.548	15/16	14 7/8	1 1/16	5/8