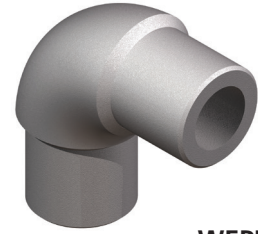


DOSSERT® TYPE WEPI-AA, WEPI-30-AA, WEPI-45-AA, WEPI-60-AA

Aluminum Welded Pipe Elbow

Welded elbows offer an economical method for field fabrication where angular turns are required. Designed for 230 kV service. Elbows are designed with chamfer to provide ease of welding.



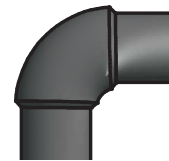
WEPI-AA

Material

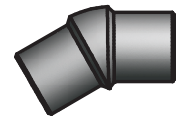
Aluminum Alloy

Notes

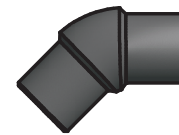
- For a 30°, add '-30'; for a 45°, add '-45'; and for a 60°, add '-60' to catalog number. Ex: WEPI75-45-AA
- For Schedule 80, add 'E' to pipe size. Ex: WEPI75E-AA



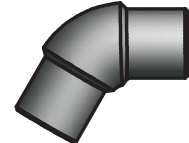
WEPI-AA



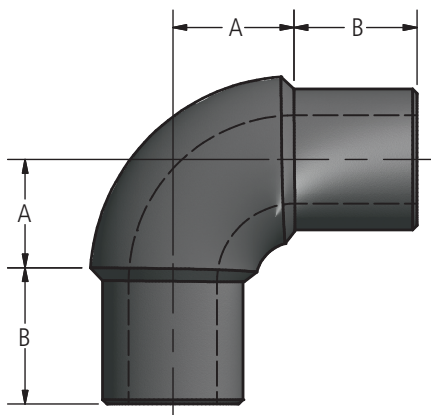
WEPI-30-AA



WEPI-45-AA



WEPI-60-AA



Ordering Information

CATALOG NUMBER		SPS	DIMENSIONS IN INCHES	
SCHEDULE 40	SCHEDULE 80		A	B
WEPI75-AA	WEPI75E-AA	3/4	1	3/4
WEPI100-AA	WEPI100E-AA	1	1 3/16	3/4
WEPI125-AA	WEPI125E-AA	1 1/4	1 3/8	1
WEPI150-AA	WEPI150E-AA	1 1/2	1 9/16	1
WEPI200-AA	WEPI200E-AA	2	2	1 3/4
WEPI250-AA	WEPI250E-AA	2 1/2	2 5/16	1 3/4
WEPI300-AA	WEPI300E-AA	3	2 11/16	1 3/4
WEPI350-AA	WEPI350E-AA	3 1/2	2 15/16	1 3/4
WEPI400-AA	WEPI400E-AA	4	3 3/16	2
WEPI500-AA	WEPI500E-AA	5	3 7/8	2 1/2
WEPI600-AA	WEPI600E-AA	6	4 3/8	2 3/4
WEPI800-AA	—	8	5 1/2	3

230 kV Aluminum Welded Elbows