

DOSSERT® TYPE HPS-AA, HPS-CH-AA

HPS is a horizontal support for a rigid fit and the HPS-CH is a for a horizontal support for a slip fit. Horizontal type support for pipe or tube to insulator. Slip or rigid fit.

Material

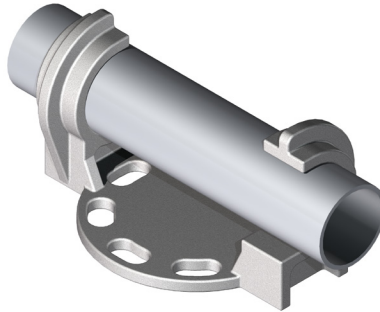
Aluminum Alloy

Hardware

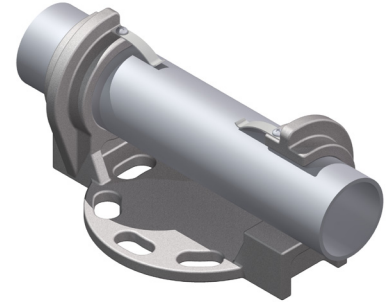
Galvanized steel hardware supplied for base mounting.

Notes

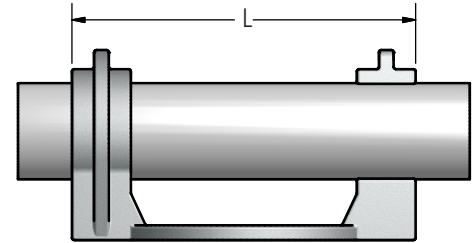
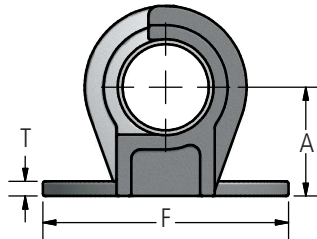
- For a slip fit bus support add suffix '-CH'. Ex: HPS100-3B-CH-AA.
- For base mounting dimensions and hardware see page 3 in the general catalog index.



HPS-AA



HPS-CH-AA



Ordering Information

CATALOG NUMBER		SPS	BOLT CIRCLE	DIMENSIONS IN INCHES			
STANDARD	WITH CHATTER SPRING			A	F	L	T
HPS100-3-AA	HPS100-3-CH-AA	1	3	2	4 1/4	5 3/4	3/8
HPS100-5-AA	HPS100-5-CH-AA	1	5	2	6 1/4	8	3/8
HPS125-3-AA	HPS125-3-CH-AA	1 1/4	3	2 1/4	4 1/4	5 3/4	3/8
HPS125-5-AA	HPS125-5-CH-AA	1 1/4	5	2 3/8	6 1/4	8	3/8
HPS150-3-AA	HPS150-3-CH-AA	1 1/2	3	2 1/2	4 1/4	5 3/4	3/8
HPS150-5-AA	HPS150-5-CH-AA	1 1/2	5	2 1/2	6 1/4	8 1/2	3/8
HPS200-3-AA	HPS200-3-CH-AA	2	3	2 3/4	4 1/4	6 1/4	3/8
HPS200-5-AA	HPS200-5-CH-AA	2	5	2 3/4	6 1/4	8 1/2	3/8
HPS250-3-AA	HPS250-3-CH-AA	2 1/2	3	3 1/8	4 1/4	6 5/8	3/8
HPS250-5-AA	HPS250-5-CH-AA	2 1/2	5	3 1/8	6 1/4	8 7/8	3/8
HPS300-3-AA	HPS300-3-CH-AA	3	3	3 5/8	4 1/4	6 5/8	3/8
HPS300-5-AA	HPS300-5-CH-AA	3	5	3 5/8	6 1/4	8 7/8	3/8
HPS350-3-AA	HPS350-3-CH-AA	3 1/2	3	4	4 1/4	7 1/4	7/16
HPS350-5-AA	HPS350-5-CH-AA	3 1/2	5	4	6 1/4	9 1/2	7/16
HPS400-3-AA	HPS400-3-CH-AA	4	3	4 1/2	4 1/4	7 5/8	1/2
HPS400-5-AA	HPS400-5-CH-AA	4	5	4 1/2	6 1/4	8 1/4	1/2
HPS400-7-AA	HPS400-7-CH-AA	4	7	4 1/2	8 1/2	10 3/4	1/2
HPS500-3-AA	HPS500-3-CH-AA	5	3	5	4 1/4	8 1/4	1/2
HPS500-5-AA	HPS500-5-CH-AA	5	5	5	6 1/4	10	1/2
HPS500-7-AA	HPS500-7-CH-AA	5	7	5	8 1/2	12 1/4	1/2
HPS600-3-AA	HPS600-3-CH-AA	6	3	5 1/2	4 1/4	8 1/4	1/2
HPS600-5-AA	HPS600-5-CH-AA	6	5	5 1/2	6 1/4	10	1/2
HPS600-7-AA	HPS600-7-CH-AA	6	7	5 1/2	8 1/2	12 1/4	1/2