

### DOSSERT®

#### TYPE WPS-AA

#### Aluminum Welded Bus Support

Horizontal type support for pipe or tube to insulator. Slip or rigid fit applications.

#### Material

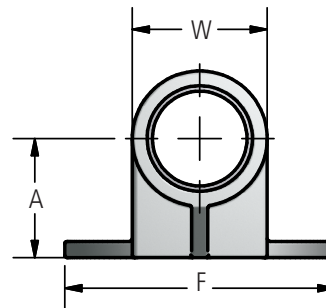
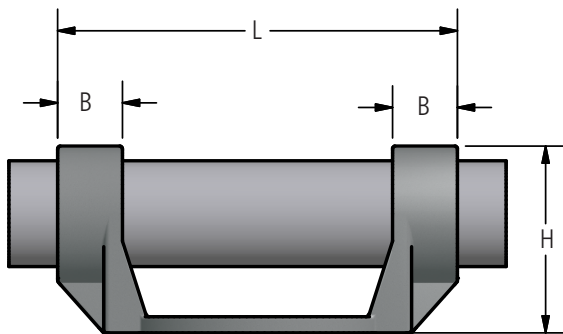
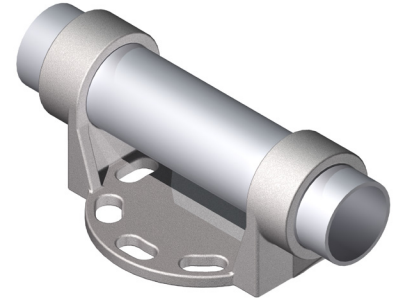
Aluminum Alloy

#### Hardware

Galvanized steel mounting hardware.

#### Notes

1. For base mounting dimensions and hardware see page 3 in the general catalog index.



#### Ordering Information

CATALOG NUMBER		SPS	BOLT CIRCLE	DIMENSIONS IN INCHES					
STANDARD	WITH CHATTER SPRING			A	B	F	H	L	W
WPS100-3-AA	WPS100-3-CH-AA	1	3	2	1	4 1/4	2 31/32	6 1/4	1 29/32
WPS100-5-AA	WPS100-5-CH-AA	1	5	2 1/4	1	6 1/4	3 7/32	7 27/32	1 29/32
WPS125-3-AA	WPS125-3-CH-AA	1 1/4	3	2 1/4	1	4 1/4	3 3/8	6 1/4	2 9/32
WPS125-5-AA	WPS125-5-CH-AA	1 1/4	5	2 3/8	1	6 1/4	3 17/32	8 1/8	2 9/32
WPS150-3-AA	WPS150-3-CH-AA	1 1/2	3	2 1/2	1 1/4	4 1/4	3 3/4	6 3/4	2 9/32
WPS150-5-AA	WPS150-5-CH-AA	1 1/2	5	2 1/2	1 1/4	6 1/4	3 3/4	8 3/4	2 9/32
WPS200-3-AA	WPS200-3-CH-AA	2	3	2 3/4	1 1/2	4 1/4	4 1/4	7 1/4	3 5/32
WPS200-5-AA	WPS200-5-CH-AA	2	5	2 3/4	1 1/2	6 1/4	4 1/4	9 1/8	3 5/32
WPS250-3-AA	WPS250-3-CH-AA	2 1/2	3	3 1/8	1 1/2	4 1/4	5	7 1/4	3 13/16
WPS250-5-AA	WPS250-5-CH-AA	2 1/2	5	3 1/8	1 1/2	6 1/4	5	9 3/16	3 13/16
WPS250-7-AA	WPS250-7-CH-AA	2 1/2	7	3 1/8	1 1/2	8 1/2	5	12	3 13/16
WPS300-3-AA	WPS300-3-CH-AA	3	3	3 5/8	1 3/4	4 1/4	5 25/32	7 3/4	4 5/16
WPS300-5-AA	WPS300-5-CH-AA	3	5	3 5/8	1 3/4	6 1/4	5 25/32	9 3/4	4 5/16
WPS350-3-AA	WPS350-3-CH-AA	3 1/2	3	4	1 3/4	4 1/4	6 1/2	7 3/4	5
WPS350-5-AA	WPS350-5-CH-AA	3 1/2	5	4	1 3/4	6 1/4	6 1/2	9 3/4	5
WPS400-3-AA	WPS400-3-CH-AA	4	3	4 1/2	2	4 1/4	7 1/4	8 1/8	5 15/32
WPS400-5-AA	WPS400-5-CH-AA	4	5	4 1/2	2	6 1/4	7 1/4	10 1/4	5 15/32
WPS400-7-AA	WPS400-7-CH-AA	4	7	4 1/2	2	8 1/2	7 1/4	12 1/2	5 15/32
WPS450-3-AA	WPS450-3-CH-AA	4 1/2	3	4 3/4	2	4 1/4	7 1/4	8 1/4	5 31/32
WPS450-5-AA	WPS450-5-CH-AA	4 1/2	5	4 3/4	2	6 1/4	7 1/4	10 1/4	5 31/32
WPS450-7-AA	WPS450-7-CH-AA	4 1/2	7	4 3/4	2	8 1/2	7 1/4	12 1/2	5 15/32
WPS500-3-AA	WPS500-3-CH-AA	5	3	5	2 1/4	4 1/4	8 9/16	8 7/8	6 5/8
WPS500-5-AA	WPS500-5-CH-AA	5	5	5	2 1/4	6 1/4	8 9/16	10 7/8	6 5/8
WPS500-7-AA	WPS500-7-CH-AA	5	7	5	2 1/4	8 1/2	8 9/16	13 1/8	6 5/8
WPS600-3-AA	WPS600-3-CH-AA	6	3	5 1/2	2 1/4	4 1/4	9 23/32	8 7/8	7 7/8
WPS600-5-AA	WPS600-5-CH-AA	6	5	5 1/2	2 1/4	6 1/4	9 23/32	10 7/8	7 7/8
WPS600-7-AA	WPS600-7-CH-AA	6	7	5 1/2	2 1/4	8 1/2	9 23/32	13 1/8	7 7/8