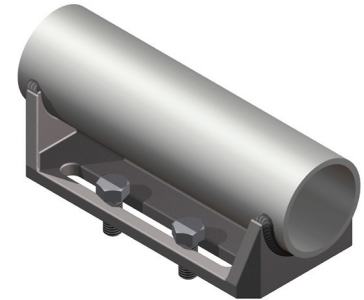


### DOSSERT® TYPE WPSSL-AA

#### Welded Slide Bus Support

Pipe or bus tube is welded to support. The support is then bolted directly into the insulator. Bolt sleeves allow the whole support to slide on the insulator. Bolt sleeves for rigid fix support can be ordered.



#### Material

Aluminum Alloy

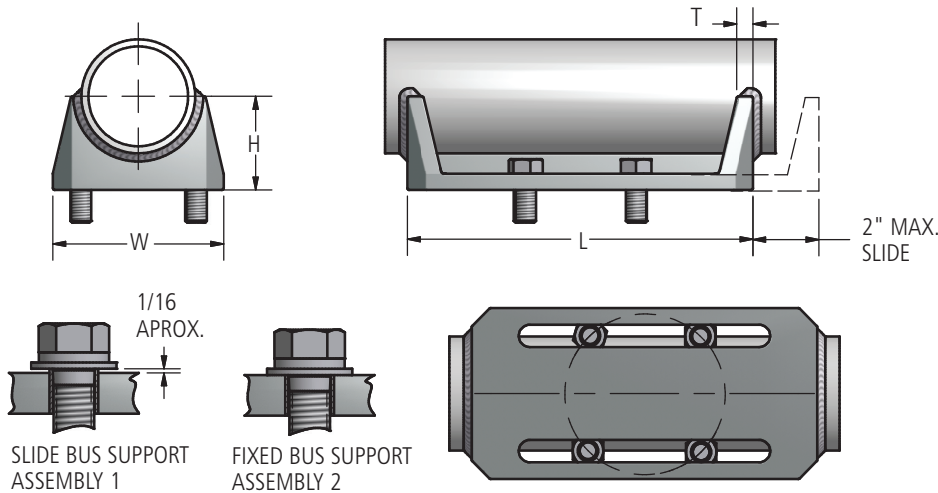
#### Notes

Add "R" to catalog number for rigid fit; EX: WPSSL300-5-R-AA

Add "SR" for slip and rigid fit; EX: WPSSL30-5-R-AA

#### Hardware

Galvanized steel hardware  
for base mounting.



### Ordering Information

CATALOG NUMBER		SPS	BOLT CIRCLE	H	L	T	W	BOLT SIZE
SLIP FIT	RIGID FIT							
WPSSL100-3-AA	WPSSL100-3-R-AA	1	3	2	8 1/2	1/2	3 1/4	1/2
WPSSL100-5-AA	WPSSL100-5-R-AA	1	5	2-1/4	10 1/2	1/2	5 3/8	5/8
WPSSL125-3-AA	WPSSL125-3-R-AA	1-1/4	3	2-1/4	8 1/2	1/2	3 1/4	1/2
WPSSL125-5-AA	WPSSL125-5-R-AA	1-1/4	5	2-3/8	10 1/2	1/2	5 3/8	5/8
WPSSL150-3-AA	WPSSL150-3-R-AA	1-1/2	3	2-1/2	8 1/2	1/2	3 1/4	1/2
WPSSL150-5-AA	WPSSL150-5-R-AA	1-1/2	5	2-1/2	10 1/2	1/2	5 3/8	5/8
WPSSL200-3-AA	WPSSL200-3-R-AA	2	3	2-3/4	8 1/2	1/2	3 1/4	1/2
WPSSL200-5-AA	WPSSL200-5-R-AA	2	5	2-3/4	10 1/2	1/2	5 3/8	5/8
WPSSL250-3-AA	WPSSL250-3-R-AA	2-1/2	3	3-1/8	8 1/2	1/2	3 1/4	1/2
WPSSL250-5-AA	WPSSL250-5-R-AA	2-1/2	5	3-1/8	10 1/2	1/2	5 3/8	5/8
WPSSL300-3-AA	WPSSL300-3-R-AA	3	3	3-5/8	8 1/2	1/2	3 3/4	1/2
WPSSL300-5-AA	WPSSL300-5-R-AA	3	5	3-5/8	10 1/2	5/8	5 1/2	5/8
WPSSL350-3-AA	WPSSL350-3-R-AA	3-1/2	3	4	8 1/2	1/2	4 1/4	1/2
WPSSL350-5-AA	WPSSL350-5-R-AA	3-1/2	5	4	10 1/2	5/8	5 1/2	5/8
WPSSL400-3-AA	WPSSL400-3-R-AA	4	3	4-1/2	8 1/2	1/2	4 1/2	1/2
WPSSL400-5-AA	WPSSL400-5-R-AA	4	5	4-1/2	10 1/2	5/8	5 1/2	5/8
WPSSL450-3-AA	WPSSL450-3-R-AA	4-1/2	3	4-3/4	8 1/2	1/2	4 1/2	1/2
WPSSL450-5-AA	WPSSL450-5-R-AA	4-1/2	5	2-3/4	10 1/2	5/8	5 1/2	5/8
WPSSL500-3-AA	WPSSL500-3-R-AA	5	3	5	8 1/2	1/2	5	1/2
WPSSL500-5-AA	WPSSL500-5-R-AA	5	5	5	10 1/2	5/8	5 1/2	5/8
WPSSL600-3-AA	WPSSL600-3-R-AA	6	3	5-1/2	8 1/2	1/2	5 3/4	1/2
WPSSL600-5-AA	WPSSL600-5-R-AA	6	5	5-1/2	10 1/2	5/8	6	5/8