

DOSSERT®

TYPE WPSV-AA

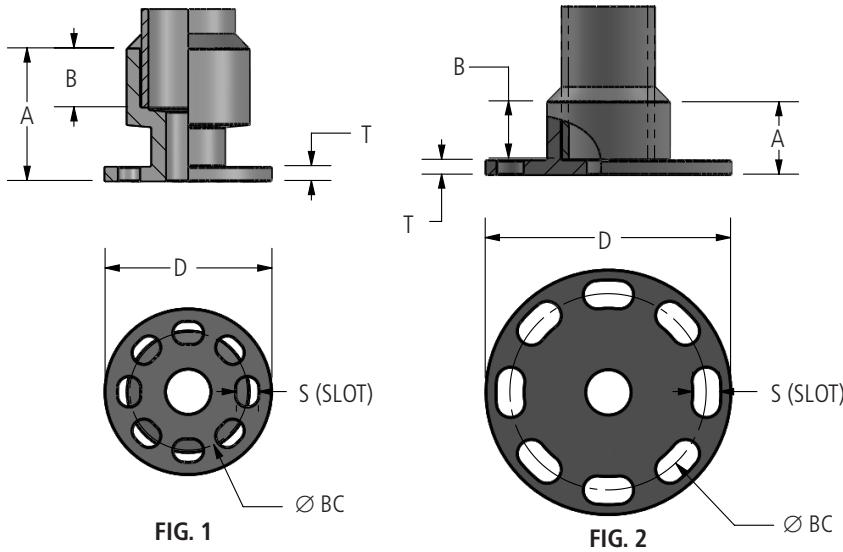
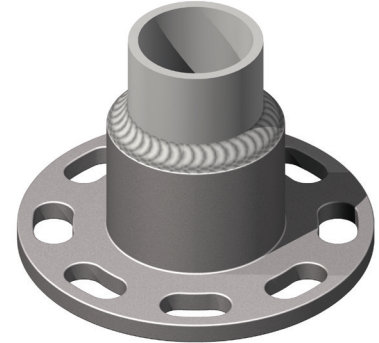
Vertical Welded Bus Support for Tubing or Pipe

Material

Aluminum Alloy

Hardware

Galvanized steel bolts and lockwashers.



Ordering Information

CATALOG NUMBER	SPS	BOLT CIRCLE	FIG. NO.	DIMENSIONS IN INCHES				
				A	B	D	S	T
WPSV100-3-AA	1	3	2	1-3/8	1	4-1/4	9/16	3/8
WPSV125-3-AA	1-1/4	3	1	3	1-1/4	4-1/4	9/16	3/8
WPSV125-5-AA	1-1/4	5	2	1-3/8	1	6-1/4	11/16	3/8
WPSV150-3-AA	1-1/2	3	1	3	1-1/4	4-1/4	9/16	3/8
WPSV150-5-AA	1-1/2	5	2	1-7/8	1-1/2	6-1/4	11/16	3/8
WPSV200-3-AA	2	3	1	3-5/8	1-1/2	4-1/4	9/16	3/8
WPSV200-5-AA	2	5	2	2-1/8	1-3/4	6-1/4	11/16	3/8
WPSV250-3-AA	2-1/2	3	1	3-3/4	1-1/2	4-1/4	9/16	3/8
WPSV250-5-AA	2-1/2	5	2	2-1/8	1-3/4	6-1/4	11/16	3/8
WPSV300-3-AA	3	3	1	3-7/8	1-3/4	4-1/4	9/16	3/8
WPSV300-5-AA	3	5	1	3-5/8	1-3/4	6-1/4	11/16	3/8
WPSV300-7-AA	3	7	2	2-1/8	1-3/4	8-1/2	13/16	3/8
WPSV350-3-AA	3-1/2	3	1	4-5/16	2	4-1/4	9/16	7/16
WPSV350-5-AA	3-1/2	5	1	4-5/16	2	6-1/4	11/16	7/16
WPSV350-7-AA	3-1/2	7	2	2-1/2	2	8-1/2	13/16	1/2
WPSV400-3-AA	4	3	1	3-7/8	1-3/4	4-1/4	9/16	3/8
WPSV400-5-AA	4	5	1	3-7/8	1-3/4	6-1/4	11/16	3/8
WPSV400-7-AA	4	7	1	3-7/8	1-3/4	8-1/2	13/16	3/8
WPSV450-3-AA	4-1/2	3	1	4-5/16	2	4-1/4	9/16	3/8
WPSV450-5-AA	4-1/2	5	1	4-1/8	1-3/4	6-1/4	11/16	3/8
WPSV450-7-AA	4-1/2	7	1	4-7/16	2	8-1/2	13/16	1/2
WPSV500-3-AA	5	3	1	4-1/16	2	4-1/4	9/16	1/2
WPSV500-5-AA	5	5	1	5-1/16	2	6-1/4	11/16	1/2
WPSV500-7-AA	5	7	1	5-1/16	2	8-1/2	13/16	1/2
WPSV600-3-AA	6	3	1	5-1/4	3	4-1/4	9/16	3/8
WPSV600-5-AA	6	5	1	5-3/8	3	6-1/4	11/16	1/2
WPSV600-7-AA	6	7	1	5-3/8	3	8-1/2	13/16	1/2