

## DOSSERT® A-Frame Connectors 14500 and 14600 Series

**Branch Connector (14500 Series) -  
Vee Connector (14600 Series) - 30°**

AFL can supply prefabricated A-frame assemblies ready for field mounting and welding. Assemblies are factory fabricated from standard A-frame fittings and pipe carefully welded and inspected to insure accuracy and best performance.

A-frame fittings are designed to make fast, reliable A-frame assemblies. Fittings are designed to be welded on the outside of the pipe allowing use of both Schedule 40 and Schedule 80 pipe. Socket design allows for slight inaccuracies in field cut length of pipe.

To order include angle, top and bottom run sizes, leg size, centerline height and crossbrace size and spacing if required.

### Ordering Instructions

Step 1: Determine Catalog Number

Determine the catalog number based on the bus conductor being used for the run and the branch.

Example: A 15° branch connector for a run conductor of 3" schedule 40 and a branch conductor of 2 1/2" schedule 40, the catalog number is: 14508-7

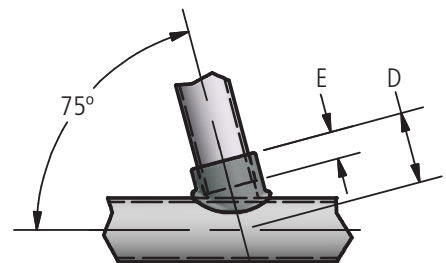
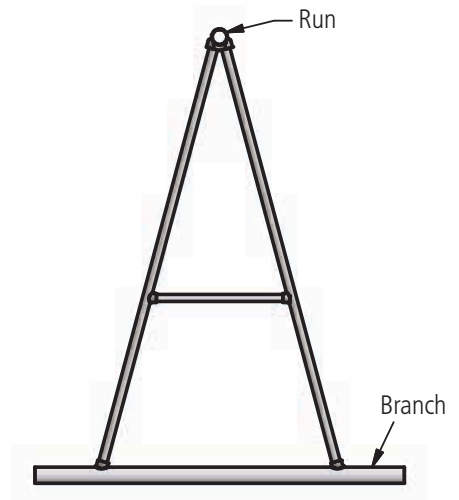
A 30° vee connector for a run conductor of 4" schedule 40 and a branch conductor of 2 1/2" schedule 40, the catalog number is: 14610-7

### Notes

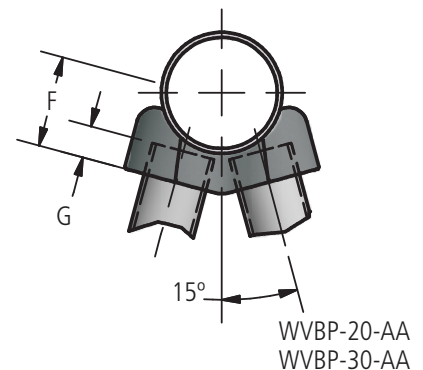
- For bus conductor information, see AFL Bus Conductor section.



A-Frame



WTA-75-AA  
WTA-80-AA



WVBP-20-AA  
WVBP-30-AA



# 230 kV Aluminum Welded Tee and Vee Connectors

## DOSSERT®

### A-Frame Connectors 14500 and 14600 Series

Branch Connector (14500 Series) -  
Vee Connector (14600 Series) - 30°

#### Ordering Information

CONDUCTOR SIZE		CATALOG NUMBER		DIMENSIONS IN INCHES				NOMINAL WEIGHT LBS	
SCH 40 & SCH80		BRANCH CONNECTOR	VEE CONNECTOR	D	E	F	G	BRANCH CONNECTOR	VEE CONNECTOR
RUN	BRANCH								
1 1/2	1	14504-3	14605-3	2.94	1.75	3.19	1.75	0.4	1
1 1/2	1 1/4	14500-4	14605-4	3.25	2.00	3.06	2	0.4	1.2
1 1/2	1 1/2	14500-5	14605-5	3.25	2.00	4.56	2	0.6	2.1
2	1	14504-3	14606-3	3.25	1.75	3.25	1.75	0.4	1.2
2	1 1/4	14506-4	14606-4	3.50	2.00	4.31	2	0.6	1.2
2	1 1/2	14500-5	14606-5	3.50	2.00	3.25	2	0.6	2.8
2	2	14506-6	14606-6	3.56	2.00	3.25	2	1.6	2.6
2 1/2	1	14507-3	14607-3	3.44	1.75	3.81	1.75	0.4	0.9
2 1/2	1 1/4	14506-4	14607-4	3.69	2.00	4.56	2	0.6	1.2
2 1/2	1 1/2	14507-5	14607-5	3.75	2.00	4.25	2	1.3	1.5
2 1/2	2	14507-6	14607-6	3.88	2.00	3.44	2	1.4	2.6
2 1/2	2 1/2	14500-7	14607-7	3.88	2.00	3.5	2.5	1	3.3
3	1	14507-3	14608-3	3.75	1.75	4.19	1.75	0.4	1.1
3	1 1/4	14506-4	14608-4	4.12	2.00	4.19	1	0.6	1.3
3	1 1/2	14507-5	14608-5	4.12	2.00	4.88	2	1.3	1.6
3	2	14508-6	14608-6	4.19	2.00	3.88	2.12	1.3	2.7
3	2 1/2	14508-7	14608-7	4.69	2.50	4.31	2.5	1.7	3.1
3	3	14508-8	14608-8	4.81	2.50	4.25	2.5	2.3	5
3 1/2	1 1/4	14509-4	14609-4	4.31	2.00	5	2	0.6	1.3
3 1/2	1 1/2	14507-5	14609-5	4.44	2.00	5.06	2	1.3	1.6
3 1/2	2	14509-6	14609-6	4.44	2.00	4.56	2	1.3	2.6
3 1/2	2 1/2	14508-7	14609-7	5.00	2.50	3.94	2	1.7	3.5
3 1/2	3	14508-8	14609-8	5.19	2.50	4.88	1.75	2.3	5.3
3 1/2	3 1/2	14509-9	14609-9	5.62	3.00	4.88	3	4.6	5.8
4	1 1/2	14510-5	14610-5	4.62	2.00	6.12	2	1.4	1.6
4	2	14509-6	14610-6	4.69	2.00	4.44	2	1.3	2.8
4	2 1/2	14510-7	14610-7	5.31	2.50	4.44	2	1.6	2.9
4	3	14510-8	14610-8	5.31	2.50	5.69	2.5	2.8	5.3
4	3 1/2	14500-9	14610-9	5.94	3.00	5.25	3	2.4	5.5
4	4	14500-10	14610-10	6.44	3.50	7.38	2.25	3.4	6.5
5	2 1/2	14510-7	14612-7	5.94	2.50	6.94	2.5	1.6	2.9
5	3	14511-8	14612-8	5.88	2.50	6.62	2.5	2.2	5.6
5	3 1/2	14500-9	14612-9	6.56	3.00	6.62	3	2.4	8.8
5	4	14500-10	14612-10	7.06	3.50	8	2.3	3.4	6.5
5	5	14500-12	14612-12	7.69	4.00	7.75	2.75	6	12
6	2 1/2	14500-7	14613-7	6.00	2.00	7.62	2.5	1	2.9
6	3	14511-8	14613-8	6.56	2.50	7.31	2.5	2.2	5.6
6	3 1/2	14500-9	14613-9	7.19	3.00	7.38	3	2.4	5.5
6	4	14500-10	14613-10	7.69	3.50	8.62	2.25	3.4	6.5
6	5	14500-12	14613-12	8.25	4.00	8.38	2.75	6	12
6	6	14500-13	14613-13	8.31	4.00	8.69	3.25	6.5	14.3

230 kV Aluminum Tee and Vee Connectors