

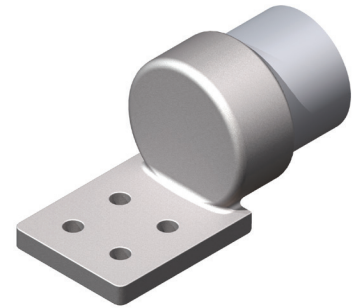
DOSSERT® TYPE WTP-N-AA, WTPA-N-45-AA, WTPA-N-90-AA Flush Welded Terminal

Material

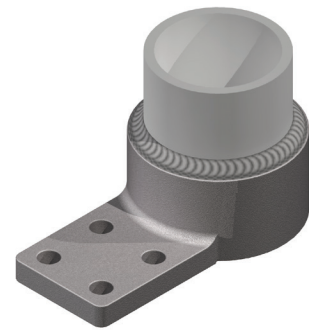
Aluminum Alloy

Notes

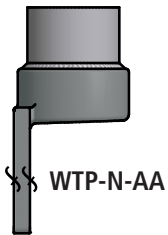
1. Add "U" for undrilled
2. Add "F" for finished on both sides. EX: WTP75-2NF-AA
3. For a WTPA with 90-degree pad, add -90 and for a WTPA with a 45-degree pad, add -45.
EX: If you are ordering for a SPS 2" pipe, 4N pad, and 45 degree pad
Order: WTPA200-4N-45-AA.



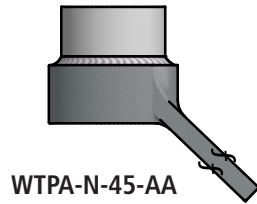
WTP-N-AA



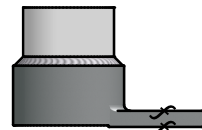
WTPA-N-90-AA



WTP-N-AA



WTPA-N-45-AA



WTPA-N-90-AA

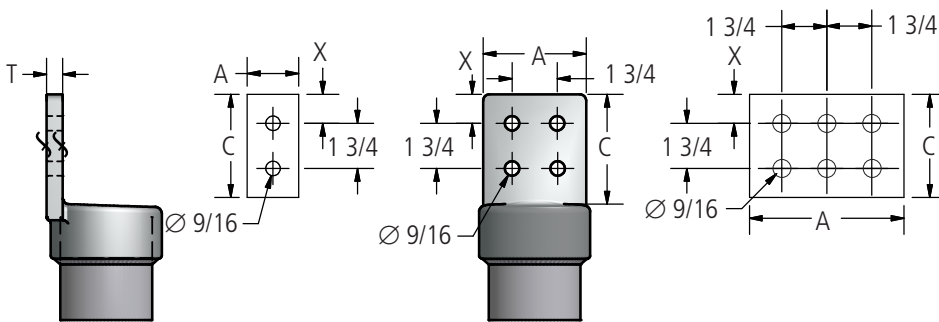


FIG. 1

FIG. 2

FIG. 3

DOSSERT®

TYPE WTP-N-AA, WTPA-N-45-AA, WTPA-N-90-AA

Flush Welded Terminal

Ordering Information

CATALOG NUMBER			SPS	FIGURE NUMBER	DIMENSIONS IN INCHES			
STRAIGHT	45 DEGREE	90 DEGREE			A	C	T	X
WTP75-2N-AA	WTPA75-2N-45-AA	WTPA75-2N-90-AA	3/4	1	2	3	3/8	5/8
WTP75-4N-AA	WTPA75-4N-45-AA	WTPA75-4N-90-AA	3/4	2	3	3	3/8	5/8
WTP100-2N-AA	WTPA100-2N-45-AA	WTPA100-2N-90-AA	1	1	2	3	1/2	5/8
WTP100-4N-AA	WTPA100-4N-45-AA	WTPA100-4N-90-AA	1	2	3	3	3/8	5/8
WTP100-4N4-AA	WTPA100-4N4-45-AA	WTPA100-4N4-90-AA	1	2	4	4	3/8	1-1/8
WTP125-2N-AA	WTPA125-2N-45-AA	WTPA125-2N-90-AA	1-1/4	1	2	3	1/2	5/8
WTP125-4N-AA	WTPA125-4N-45-AA	WTPA125-4N-90-AA	1-1/4	2	3	3	1/2	5/8
WTP125-4N4-AA	WTPA125-4N4-45-AA	WTPA125-4N4-90-AA	1-1/4	2	4	4	1/2	1-1/8
WTP150-2N-AA	WTPA150-2N-45-AA	WTPA150-2N-90-AA	1-1/2	1	2	3	5/8	5/8
WTP150-4N-AA	WTPA150-4N-45-AA	WTPA150-4N-90-AA	1-1/2	2	3	3	1/2	5/8
WTP150-4N4-AA	WTPA150-4N4-45-AA	WTPA150-4N4-90-AA	1-1/2	2	4	4	1/2	1-1/8
WTP200-2N-AA	WTPA200-2N-45-AA	WTPA200-2N-90-AA	2	1	2	3	1/2	5/8
WTP200-4N-AA	WTPA200-4N-45-AA	WTPA200-4N-90-AA	2	2	3	3	1/2	5/8
WTP200-4N4-AA	WTPA200-4N4-45-AA	WTPA200-4N4-90-AA	2	2	4	4	1/2	1-1/8
WTP250-2N-AA	WTPA250-2N-45-AA	WTPA250-2N-90-AA	2-1/2	1	2	3	1/2	5/8
WTP250-4N-AA	WTPA250-4N-45-AA	WTPA250-4N-90-AA	2-1/2	2	3	3	5/8	5/8
WTP250-4N4-AA	WTPA250-4N4-45-AA	WTPA250-4N4-90-AA	2-1/2	2	4	4	5/8	1-1/8
WTP300-2N-AA	WTPA300-2N-45-AA	WTPA300-2N-90-AA	3	1	2	3	5/8	5/8
WTP300-4N-AA	WTPA300-4N-45-AA	WTPA300-4N-90-AA	3	2	3	3	5/8	5/8
WTP300-4N4-AA	WTPA300-4N4-45-AA	WTPA300-4N4-90-AA	3	2	4	4	5/8	1-1/8
WTP300-5N4-AA	WTPA300-5N4-45-AA	WTPA300-5N4-90-AA	3	3	5	4	5/8	1-1/8
WTP300-6N4-AA	WTPA300-6N4-45-AA	WTPA300-6N4-90-AA	3	3	6	4	5/8	1-1/8
WTP350-2N-AA	WTPA350-2N-45-AA	WTPA350-2N-90-AA	3-1/2	1	2	3	3/4	5/8
WTP350-4N-AA	WTPA350-4N-45-AA	WTPA350-4N-90-AA	3-1/2	2	3	3	3/4	5/8
WTP350-4N4-AA	WTPA350-4N4-45-AA	WTPA350-4N4-90-AA	3-1/2	2	4	4	3/4	1-1/8
WTP350-5N4-AA	WTPA350-5N4-45-AA	WTPA350-5N4-90-AA	3-1/2	3	5	4	3/4	1-1/8
WTP350-6N4-AA	WTPA350-6N4-45-AA	WTPA350-6N4-90-AA	3-1/2	3	6	4	3/4	1-1/8
WTP400-4N-AA	WTPA400-4N-45-AA	WTPA400-4N-90-AA	4	2	3	3	3/4	5/8
WTP400-4N4-AA	WTPA400-4N4-45-AA	WTPA400-4N4-90-AA	4	2	4	4	3/4	1-1/8
WTP400-5N4-AA	WTPA400-5N4-45-AA	WTPA400-5N4-90-AA	4	3	5	4	3/4	1-1/8
WTP400-6N4-AA	WTPA400-6N4-45-AA	WTPA400-6N4-90-AA	4	3	6	4	3/4	1-1/8
WTP500-4N-AA	WTPA500-4N-45-AA	WTPA500-4N-90-AA	5	2	3	3	7/8	5/8
WTP500-4N4-AA	WTPA500-4N4-45-AA	WTPA500-4N4-90-AA	5	2	4	4	7/8	1-1/8
WTP500-5N4-AA	WTPA500-5N4-45-AA	WTPA500-5N4-90-AA	5	3	5	4	7/8	1-1/8
WTP500-6N4-AA	WTPA500-6N4-45-AA	WTPA500-6N4-90-AA	5	3	6	4	7/8	1-1/8
WTP600-4N-AA	WTPA600-4N-45-AA	WTPA600-4N-90-AA	6	2	3	3	1	5/8
WTP600-4N4-AA	WTPA600-4N4-45-AA	WTPA600-4N4-90-AA	6	2	4	4	5/8	1-1/8
WTP600-5N4-AA	WTPA600-5N4-45-AA	WTPA600-5N4-90-AA	6	3	5	4	1	1-1/8
WTP600-6N4-AA	WTPA600-6N4-45-AA	WTPA600-6N4-90-AA	6	3	6	4	5/8	1-1/8
WTP800R-4N4-AA	WTPA800R-4N4-45-AA	WTPA800R-4N4-90-AA	8 O.D.	2	4	4	1	1-1/8
WTP800R-6N4-AA	WTPA800R-6N4-45-AA	WTPA800R-6N4-90-AA	8 O.D.	3	6	4	1	1-1/8