

DOSSERT®

TYPE WTPIC-AA

Internal Center Formed Welded Terminal

Material

Aluminum Alloy

Notes

1. Add "U" for undrilled. EX: WTPIC100-2NU-AA
2. Add "F" for finished on both sides. EX: WTPIC100-2NF-AA

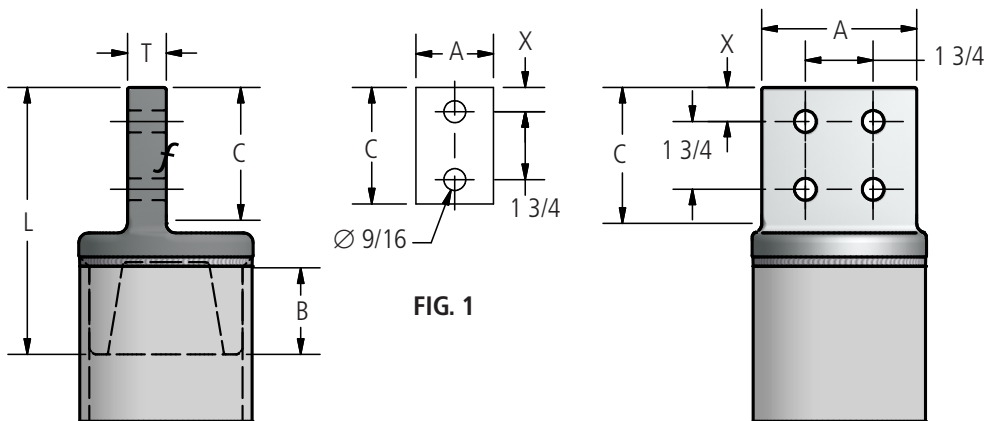
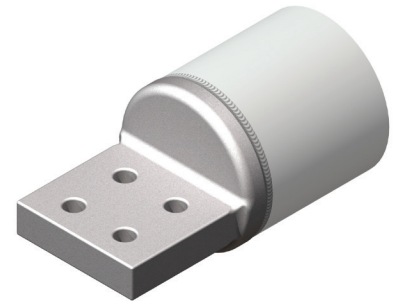


FIG. 2

Ordering Information

CATALOG NUMBER		SPS	FIG. NO.	DIMENSIONS IN INCHES					
SCH 40	SCH 80			A	B	C	L	T	X
WTPIC100-2N-AA	WTPIC100E-2N-AA	1	1	2	3/4	3	4 1/4	3/8	5/8
WTPIC100-4N-AA	WTPIC100E-4N-AA	1	2	3	3/4	3	4 1/4	3/8	5/8
WTPIC150-2N-AA	WTPIC150E-2N-AA	1-1/2	2	2	1	3	4 1/2	1/2	5/8
WTPIC150-4N-AA	WTPIC150E-4N-AA	1-1/2	1	3	1	3	4 1/2	1/2	5/8
WTPIC200-2N-AA	WTPIC200E-2N-AA	2	2	2	1 1/4	3	4 3/4	5/8	5/8
WTPIC200-4N4-AA	WTPIC200E-4N4-AA	2	1	4	1 1/4	4	6 1/4	5/8	1 1/8
WTPIC200-4N-AA	WTPIC200E-4N-AA	2	2	3	1 1/4	3	4 3/4	5/8	5/8
WTPIC250-2N-AA	WTPIC250E-2N-AA	2-1/2	2	2	1 1/2	3	5 1/2	5/8	5/8
WTPIC250-4N4-AA	WTPIC250E-4N4-AA	2-1/2	1	4	1 1/2	4	6 1/2	5/8	1 1/8
WTPIC250-4N-AA	WTPIC250E-4N-AA	2-1/2	2	3	1 1/2	3	5 1/2	5/8	5/8
WTPIC300-4N4-AA	WTPIC300E-4N4-AA	3	2	4	1 3/4	4	6 3/4	5/8	1 1/8
WTPIC300-4N-AA	WTPIC300E-4N-AA	3	2	3	1 3/4	3	5 3/4	5/8	5/8
WTPIC350-4N4-AA	WTPIC350E-4N4-AA	3-1/2	2	4	2	4	7 1/4	3/4	1 1/8
WTPIC350-4N-AA	WTPIC350E-4N-AA	3-1/2	2	3	2	3	6 1/4	3/4	5/8
WTPIC400-4N4-AA	WTPIC400E-4N4-AA	4	2	4	2 1/4	4	7 1/4	3/4	1 1/8
WTPIC400-4N-AA	WTPIC400E-4N-AA	4	2	3	2 1/4	3	6 1/4	3/4	5/8
WTPIC500-4N4-AA	WTPIC500E-4N4-AA	5	2	4	2 1/2	4	8 1/8	7/8	1 1/8
WTPIC500-4N-AA	WTPIC500E-4N-AA	5	2	3	2 1/2	3	7 1/8	7/8	5/8
WTPIC600-4N4-AA	WTPIC600E-4N4-AA	6	2	4	3 3/8	4	8 3/4	1	1 1/8