

DOSSERT® TYPE WTPO-N-AA, WTPOA-N-45-AA, WTPOA-N-90-AA

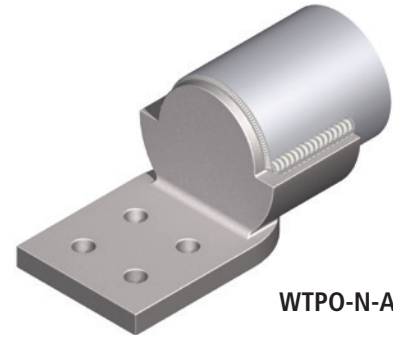
WTPO-N-AA flush half sleeve welded terminal, WTPOA-N-45-AA flush 45° half sleeve welded terminal, and WTPOA-N-90-AA flush 90° half sleeve welded terminal.

Material

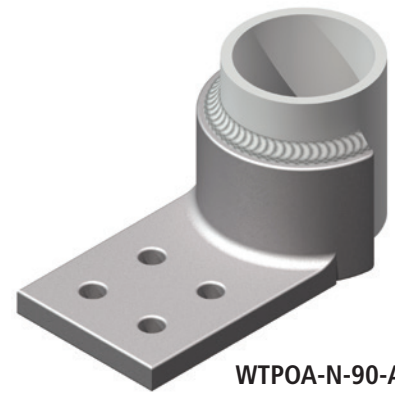
Aluminum Alloy

Notes

- To specify contact finish on top surface of pad in addition to bottom surface add letter "F" to the catalog number. Ex: 2NF - 4NF - 4N4F.
- For a 45° flush half sleeve terminal, 2" SPS, and 4", 4 hole NEMA pad order: WTPOA200-4N4-45-AA.
- For a 90° flush half sleeve terminal, 2" SPS, and 4", 4 hole NEMA pad finished on both sides order: WTPOA200-4N4-90-AA.



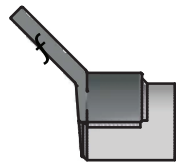
WTPO-N-AA



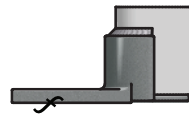
WTPOA-N-90-AA



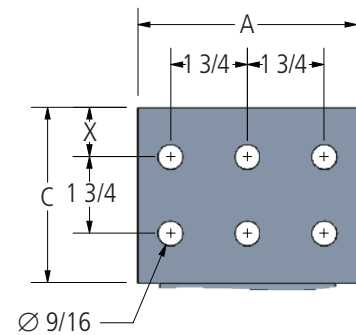
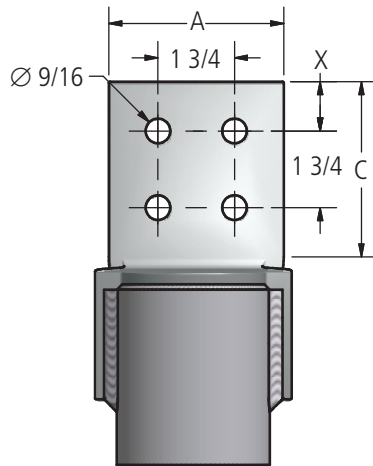
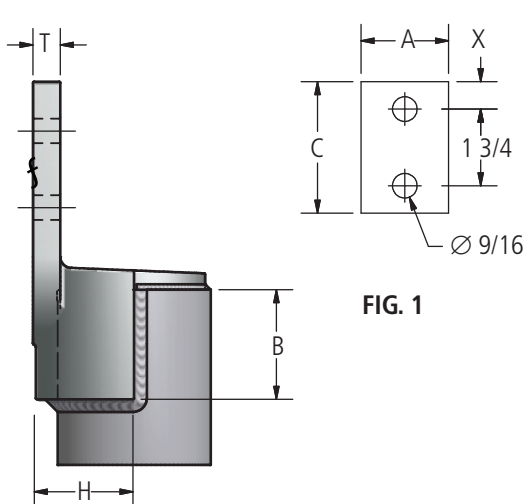
WTPO-N-AA



WTPOA-N-45-AA



WTPOA-N-90-AA



DOSSERT®

TYPE WTPO-N-AA, WTPOA-N-45-AA, WTPOA-N-90-AA

Ordering Information

SPS	CATALOG NUMBER	FIG. NO.	ANGLE	DIMENSIONS IN INCHES					
				A	B	C	H	T	X
3/4	WTPO75-2N-AA	1	-	1 5/8	1	3	1	3/8	5/8
3/4	WTPOA75-2N-45-AA	1	45°	1 5/8	1	3	-	3/8	5/8
3/4	WTPOA75-2N-90-AA	1	90°	1 5/8	1	3	-	3/8	5/8
3/4	WTPO75-4N-AA	2	-	3	1	3	1	3/8	5/8
3/4	WTPOA75-4N-45-AA	2	45°	3	1	3	-	3/8	5/8
3/4	WTPOA75-4N-90-AA	2	90°	3	1	3	-	3/8	5/8
1	WTPO100-2N-AA	1	-	1 15/16	1 1/8	3	1 3/16	3/8	5/8
1	WTPOA100-2N-45-AA	1	45°	1 15/16	1 1/8	3	-	3/8	5/8
1	WTPOA100-2N-90-AA	1	90°	1 15/16	1 1/4	3	-	3/8	5/8
1	WTPO100-4N-AA	2	-	3	1 1/8	3	1 3/16	3/8	5/8
1	WTPOA100-4N-45-AA	2	45°	3	1 1/8	3	-	3/8	5/8
1	WTPOA100-4N-90-AA	2	90°	3	1 1/4	3	-	3/8	5/8
1 1/4	WTPO125-2N-AA	1	-	2	1 3/8	3	1 3/8	3/8	5/8
1 1/4	WTPOA125-2N-45-AA	1	45°	2	1 3/8	3	-	3/8	5/8
1 1/4	WTPOA125-2N-90-AA	1	90°	2	1 3/8	3	-	1/2	5/8
1 1/4	WTPO125-4N-AA	2	-	3	1 3/8	3	1 3/8	7/16	5/8
1 1/4	WTPOA125-4N-45-AA	2	45°	3	1 3/8	3	-	7/16	5/8
1 1/4	WTPOA125-4N-90-AA	2	90°	3	1 3/8	3	-	1/2	5/8
1 1/4	WTPOA125-4N4-90-AA	2	90°	4	1 3/8	4	-	1/2	1 1/8
1 1/2	WTPO150-2N-AA	1	-	2	1 5/8	3	1 15/32	7/16	5/8
1 1/2	WTPOA150-2N-45-AA	1	45°	2	1 5/8	3	-	1/2	5/8
1 1/2	WTPOA150-2N-90-AA	1	90°	2	1 5/8	3	-	1/2	5/8
1 1/2	WTPO150-4N-AA	2	-	3	1 5/8	3	1 15/32	1/2	5/8
1 1/2	WTPOA150-4N-45-AA	2	45°	3	1 5/8	3	-	1/2	5/8
1 1/2	WTPOA150-4N-90-AA	2	90°	3	1 5/8	3	-	1/2	5/8
1 1/2	WTPO150-4N4-AA	2	-	4	1 5/8	4	1 15/32	1/2	1 1/8
1 1/2	WTPOA150-4N4-45-AA	2	45°	4	1 5/8	4	-	1/2	1 1/8
1 1/2	WTPOA150-4N4-90-AA	2	90°	4	1 5/8	4	-	1/2	1 1/8
2	WTPO200-2N-AA	1	-	2	1 7/8	3	1 23/32	7/16	5/8
2	WTPOA200-2N-45-AA	1	45°	2	1 7/8	3	-	7/16	5/8
2	WTPOA200-2N-90-AA	1	90°	2	1 7/8	3	-	1/2	5/8
2	WTPO200-4N-AA	2	-	3	1 7/8	3	1 23/32	1/2	5/8
2	WTPOA200-4N-45-AA	2	45°	3	1 7/8	3	-	1/2	5/8
2	WTPOA200-4N-90-AA	2	90°	3	1 7/8	3	-	7/16	5/8
2	WTPO200-4N4-AA	2	-	4	1 7/8	4	1 23/32	1/2	1 1/8
2	WTPOA200-4N4-45-AA	2	45°	4	1 7/8	4	-	1/2	1 1/8
2	WTPOA200-4N4-90-AA	2	90°	4	1 7/8	4	-	7/16	1 1/8
2 1/2	WTPO250-2N-AA	1	-	2	2 1/4	3	1 31/32	5/8	5/8
2 1/2	WTPOA250-2N-45-AA	1	45°	2	2 1/4	3	-	5/8	5/8
2 1/2	WTPOA250-2N-90-AA	1	90°	2	2 1/4	3	-	5/8	5/8
2 1/2	WTPO250-4N-AA	2	-	3	2 1/4	3	1 31/32	5/8	5/8
2 1/2	WTPOA250-4N-45-AA	2	45°	3	2 1/4	3	-	5/8	5/8
2 1/2	WTPOA250-4N-90-AA	2	90°	3	2 1/4	3	-	5/8	5/8
2 1/2	WTPO250-4N4-AA	2	-	4	2 1/4	4	1 31/32	5/8	1 1/8
2 1/2	WTPOA250-4N4-45-AA	2	45°	4	2 1/4	4	-	5/8	1 1/8
2 1/2	WTPOA250-4N4-90-AA	2	90°	4	2 1/4	4	-	5/8	1 1/8

DOSSERT®

TYPE WTPO-N-AA, WTPOA-N-45-AA, WTPOA-N-90-AA

Ordering Information

SPS	CATALOG NUMBER	FIG. NO.	ANGLE	DIMENSIONS IN INCHES					
				A	B	C	H	T	X
3	WTPO300-2N-AA	1	-	2	2 1/2	3	2 11/32	5/8	5/8
3	WTPOA300-2N-45-AA	1	45°	2	2 1/2	3	-	5/8	5/8
3	WTPOA300-2N-90-AA	1	90°	2	2 1/2	3	-	5/8	5/8
3	WTPO300-4N-AA	2	-	3	2 1/2	3	2 11/32	5/8	5/8
3	WTPOA300-4N-45-AA	2	45°	3	2 1/2	3	-	5/8	5/8
3	WTPOA300-4N-90-AA	2	90°	3	2 1/2	3	-	5/8	5/8
3	WTPO300-4N4-AA	2	-	4	2 1/2	4	2 11/32	5/8	1 1/8
3	WTPOA300-4N4-45-AA	2	45°	4	2 1/2	4	-	5/8	1 1/8
3	WTPOA300-4N4-90-AA	2	90°	4	2 1/2	4	-	5/8	1 1/8
3 1/2	WTPO350-2N-AA	1	-	2	3	3	2 19/32	3/4	5/8
3 1/2	WTPOA350-2N-45-AA	1	45°	2	3	3	-	3/4	5/8
3 1/2	WTPOA350-2N-90-AA	1	90°	2	3	3	-	3/4	5/8
3 1/2	WTPO350-4N-AA	2	-	3	3	3	2 19/32	3/4	5/8
3 1/2	WTPOA350-4N-45-AA	2	45°	3	3	3	-	3/4	5/8
3 1/2	WTPOA350-4N-90-AA	2	90°	3	3	3	-	3/4	5/8
3 1/2	WTPO350-4N4-AA	2	-	4	3	4	2 19/32	3/4	1 1/8
3 1/2	WTPOA350-4N4-45-AA	2	45°	4	3	4	-	3/4	1 1/8
3 1/2	WTPOA350-4N4-90-AA	2	90°	4	3	4	-	3/4	1 1/8
3 1/2	WTPO350-5N4-AA	3	-	5	3	4	2 19/32	3/4	1 1/8
3 1/2	WTPOA350-5N4-45-AA	3	45°	5	3	4	-	3/4	1 1/8
3 1/2	WTPOA350-5N4-90-AA	3	90°	5	3	4	-	3/4	1 1/8
4	WTPO400-2N-AA	1	-	2	3 1/2	3	2 27/32	3/4	5/8
4	WTPOA400-2N-45-AA	1	45°	2	3 1/2	3	-	3/4	5/8
4	WTPOA400-2N-90-AA	1	90°	2	3 1/2	3	-	3/4	5/8
4	WTPO400-4N-AA	2	-	3	3 1/2	3	2 27/32	3/4	5/8
4	WTPOA400-4N-45-AA	2	45°	3	3 1/2	3	-	3/4	5/8
4	WTPOA400-4N-90-AA	2	90°	3	3 1/2	3	-	3/4	5/8
4	WTPO400-4N4-AA	2	-	4	3 1/2	4	2 27/32	3/4	1 1/8
4	WTPOA400-4N4-45-AA	2	45°	4	3 1/2	4	-	3/4	1 1/8
4	WTPOA400-4N4-90-AA	2	90°	4	3 1/2	4	-	3/4	1 1/8
5	WTPO500-2N-AA	1	-	2	3 1/2	3	3 3/8	3/4	5/8
5	WTPOA500-2N-45-AA	1	45°	2	3 1/2	3	-	3/4	5/8
5	WTPOA500-2N-90-AA	1	90°	2	3 1/2	3	-	3/4	5/8
5	WTPO500-4N-AA	2	-	3	3 1/2	3	3 3/8	3/4	5/8
5	WTPOA500-4N-90-AA	2	90°	3	3 1/2	3	-	7/8	5/8
5	WTPOA500-4N-45-AA	2	45°	3	4	3	-	7/8	5/8
5	WTPO500-4N4-AA	2	-	4	3 1/2	4	3 3/8	3/4	1 1/8
5	WTPOA500-4N4-45-AA	2	45°	4	3 1/2	4	-	3/4	1 1/8
5	WTPOA500-4N4-90-AA	2	90°	4	3 1/2	4	-	7/8	1 1/8
5	WTPO500-6N4-AA	3	-	6	3 1/2	4	3 3/8	3/4	1 1/8
5	WTPOA500-6N4-45-AA	3	45°	6	3 1/2	4	-	3/4	1 1/8
5	WTPOA500-6N4-90-AA	3	90°	6	3 1/2	4	-	3/4	1 1/8
6	WTPO600-4N4-AA	2	-	4	3 5/8	4	3 3/8	1	1 1/8
6	WTPOA600-4N4-45-AA	2	45°	4	3 5/8	4	-	1	1 1/8
6	WTPOA600-4N4-90-AA	2	90°	4	3 5/8	4	-	1	1 1/8