

DOSSERT® TYPE WWSC-AA

WWSC-AA is a variable angle terminal for aluminum pipe conductor. The angle is limited based on conductor diameter.

Material

Aluminum Alloy

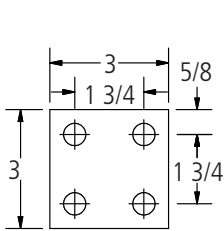
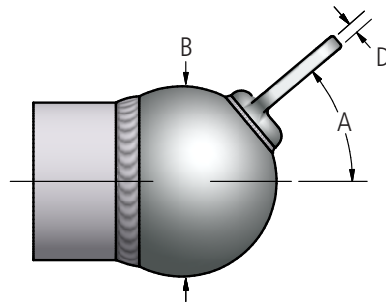
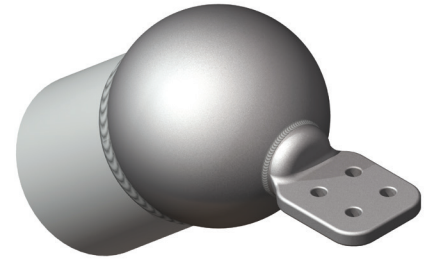


FIG. 1

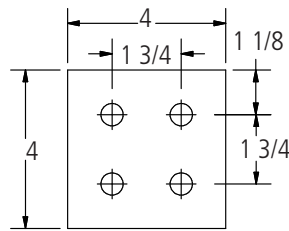


FIG. 2

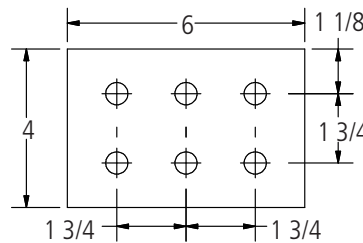


FIG. 3

Ordering Information

CATALOG NUMBER	FIG. NO.	CATALOG NUMBER	FIG. NO.	CATALOG NUMBER	FIG. NO.	SPS	DIMENSIONS IN INCHES			MAX KV
							A° (MAX)	B	D	
WWSC500-4N-AA	1	WWSC500-4N4-AA	2	WWSC500-6N4-AA	3	1 1/2	130	5	5/16	230
WWSC500-4N-AA	1	WWSC500-4N4-AA	2	WWSC500-6N4-AA	3	2	125	5	5/16	230
WWSC500-4N-AA	1	WWSC500-4N4-AA	2	WWSC500-6N4-AA	3	2 1/2	120	5	5/16	230
WWSC500-4N-AA	1	WWSC500-4N4-AA	2	WWSC500-6N4-AA	3	3	110	5	5/16	230
WWSC500-4N-AA	1	WWSC500-4N4-AA	2	WWSC500-6N4-AA	3	3 1/2	100	5	5/16	230
WWSC500-4N-AA	1	WWSC500-4N4-AA	2	WWSC500-6N4-AA	3	4	90	5	5/16	230
WWSC800-4N-AA	1	WWSC800-4N4-AA	2	WWSC800-6N4-AA	3	3	120	8	7/16	345
WWSC800-4N-AA	1	WWSC800-4N4-AA	2	WWSC800-6N4-AA	3	3 1/2	120	8	7/16	345
WWSC800-4N-AA	1	WWSC800-4N4-AA	2	WWSC800-6N4-AA	3	4	110	8	7/16	345
WWSC800-4N-AA	1	WWSC800-4N4-AA	2	WWSC800-6N4-AA	3	5	110	8	7/16	345
WWSC800-4N-AA	1	WWSC800-4N4-AA	2	WWSC800-6N4-AA	3	6	100	8	7/16	345
WWSC800-4N-AA	1	WWSC800-4N4-AA	2	WWSC800-6N4-AA	3	8 OD	65	8	7/16	345
WWSC1200-4N-AA	1	WWSC1200-4N4-AA	2	WWSC1200-6N4-AA	3	4	140	12	3/8	500
WWSC1200-4N-AA	1	WWSC1200-4N4-AA	2	WWSC1200-6N4-AA	3	5	135	12	3/8	500
WWSC1200-4N-AA	1	WWSC1200-4N4-AA	2	WWSC1200-6N4-AA	3	6	130	12	3/8	500
WWSC1200-4N-AA	1	WWSC1200-4N4-AA	2	WWSC1200-6N4-AA	3	8 OD	120	12	3/8	500