

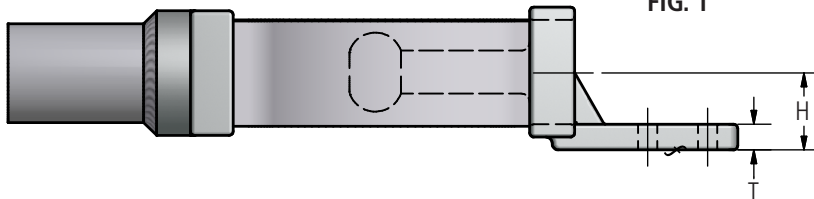
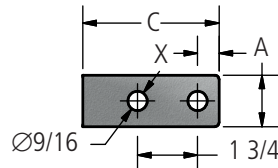
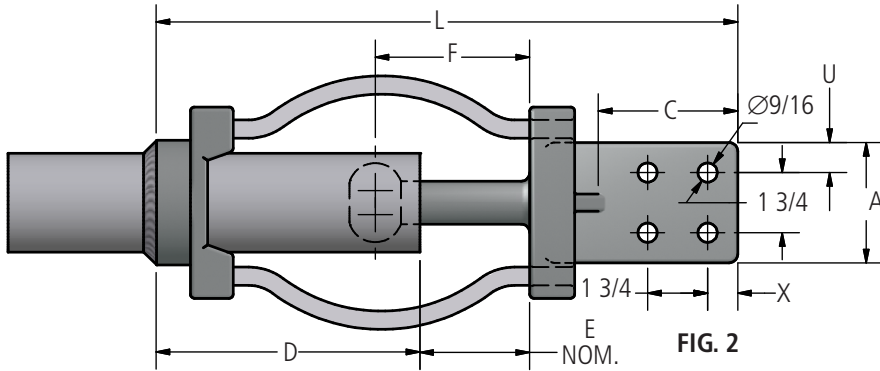
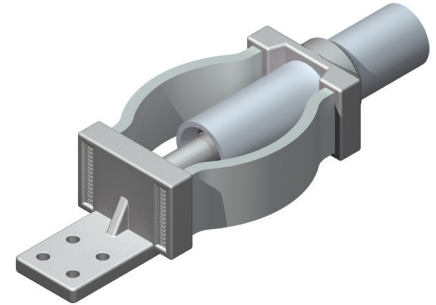
DOSSERT® TYPE WXLO-AA, WXLO-E-AA Expansion Terminal Connector

Material

Aluminum Alloy

Note

1. Add "P" to suffix of WXLO for no alignment guide. EX: WXLOP300-4N-AA
2. Add "F" to suffix of pad type for contact finish on both sides of the pad. EX: WXLO300-4NF-AA



DOSSERT® TYPE WXLO-AA, WXLO-E-AA

Ordering Information

CATALOG NUMBER		SPS/EHPS	FIG. NO.	DIMENSIONS IN INCHES									
SCH 40	SCH 80			A	C	D	E	F	H	L	T	U	X
WXLO100-2N-AA	WXLO100E-2N-AA	1	1	1 3/4	3	5 1/8	1 1/2	3 1/2	1 1/8	10 5/8	5/8	NA	5/8
WXLO100-4N-AA	WXLO100E-4N-AA	1	2	3	3	5 1/8	1 1/2	3 1/2	1 5/16	10 5/8	1/2	5/8	5/8
WXLO125-2N-AA	WXLO125E-2N-AA	1 1/4	1	2 1/4	3	6	1 1/2	3 1/2	1 5/16	11 1/2	1/2	NA	5/8
WXLO125-4N-AA	WXLO125E-4N-AA	1 1/4	2	3	3	6	1 1/2	3 1/2	1 5/16	11 1/2	1/2	5/8	5/8
WXLO125-4N4-AA	WXLO125E-4N4-AA	1 1/4	2	4	4	6	1 1/2	3 1/2	1 5/8	12 3/4	1/2	1 1/8	1 1/8
WXLO150-2N-AA	WXLO150E-2N-AA	1 1/2	1	2 1/2	3	7 1/8	1 1/2	3 1/2	1 5/8	12 3/4	5/8	NA	5/8
WXLO150-4N-AA	WXLO150E-4N-AA	1 1/2	2	3	3	7 1/8	1 1/2	3 1/2	1 5/8	12 3/4	5/8	5/8	5/8
WXLO200-4N-AA	WXLO200E-4N-AA	2	2	3 1/4	3 1/2	7 3/16	2 1/2	4 1/2	2	14 3/8	3/4	3/4	7/8
WXLO200-4N4-AA	WXLO200E-4N4-AA	2	2	4	4	7 3/16	2 1/2	4 1/2	2	15 3/8	3/4	1 1/8	1 1/8
WXLO250-4N-AA	WXLO250E-4N-AA	2 1/2	2	4 1/4	4 1/4	7 11/16	2 1/2	4 1/2	2 1/4	14 7/8	3/4	1 1/4	1 1/4
WXLO250-4N4-AA	WXLO250E-4N4-AA	2 1/2	2	4	4	7 11/16	2 1/2	4 1/2	2 1/4	15 7/8	3/4	1 1/8	1 1/8
WXLO300-4N-AA	WXLO300E-4N-AA	3	2	3	3	8 3/16	2 1/2	4 1/2	2 5/8	16	7/8	5/8	5/8
WXLO300-4N4-AA	WXLO300E-4N4-AA	3	2	4	4	8 3/16	2 1/2	4 1/2	2 5/8	17	7/8	1 1/8	1 1/8
WXLO350-4N-AA	WXLO350E-4N-AA	3 1/2	2	3	3	9 3/4	2 1/2	4 1/2	2 15/16	17 5/16	7/8	5/8	5/8
WXLO350-4N4-AA	WXLO350E-4N4-AA	3 1/2	2	4	4	9 3/4	2 1/2	4 1/2	2 15/16	18 5/16	7/8	1 1/8	1 1/8
WXLO400-4N-AA	WXLO400E-4N-AA	4	2	3	3	10	2 1/2	4 1/2	3 1/4	18	1	5/8	5/8
WXLO400-4N4-AA	WXLO400E-4N4-AA	4	2	4	4	10	2 1/2	4 1/2	3 1/4	19	1	1 1/8	1 1/8
WXLO500-4N-AA	WXLO500E-4N-AA	5	2	3	3	10	2 1/2	4 1/2	3 1/2	18	1 1/4	5/8	5/8
WXLO500-4N4-AA	WXLO500E-4N4-AA	5	2	4	4	10	2 1/2	4 1/2	3 1/2	19	1 1/4	1 1/8	1 1/8
WXLO600-4N-AA	WXLO600E-4N-AA	6	2	3	3	12	2 1/2	4 1/2	4 1/4	20 3/8	1 3/8	5/8	5/8
WXLO600-4N4-AA	WXLO600E-4N4-AA	6	2	4	4	12	2 1/2	4 1/2	4 1/4	21 3/8	1 3/8	1 1/8	1 1/8



230 kV Aluminum Welded Terminal Connectors

DOSSERT®