

DOSSERT® TYPE 1000 SERIES

Tube to Cable Tee Adapter

Tee adapter is designed with saddle to allow connector to be clamped to bus tube during field welding. Stranded conductor is puddle welded to connector, then connector is welded to bus tube. Not recommended for use on ACSR conductors due to difficulty welding steel core.

Material

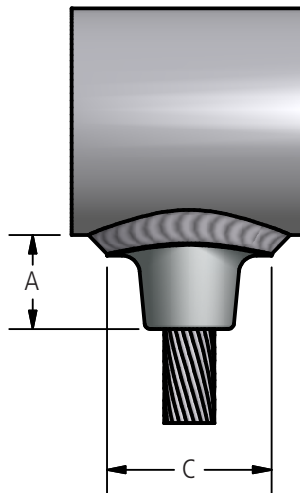
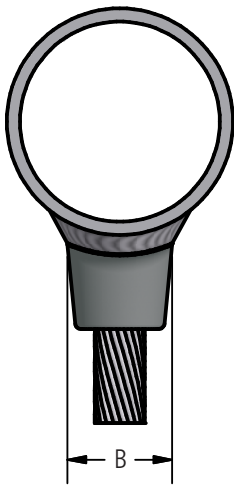
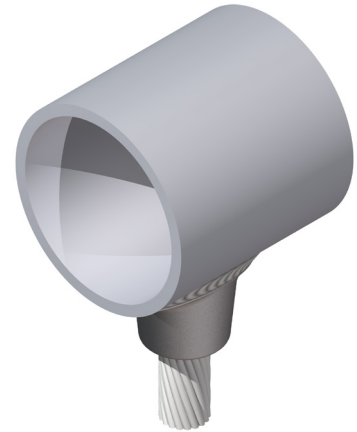
Aluminum Alloy

Ordering Instructions

Step 1: Determine Catalog Number

Determine the catalog number from Table 2 based on the bus conductor and the diameter of the stranded conductor being used.

Example: A tee adapter for a run conductor of 3" schedule 40 and a stranded conductor diameter of 0.926", the complete catalog number is: 1006.100





230 kV Aluminum Welded Tee and Vee Connectors

DOSSERT® TYPE 1000 SERIES Tube to Cable Tee Adapter

Table 1 (Physical Characteristics of Series)

CATALOG NUMBER	DIMENSIONS IN INCHES			NOMINAL WEIGHT LBS
	A	B	C	
1000	0.75	0.81	1.75	0.06
1001	1.00	1.00	2.12	0.11
1002	1.00	1.00	2.12	0.11
1003	1.25	1.31	2.44	0.19
1004	1.25	1.31	2.44	0.19
1005	1.50	1.62	2.81	0.28
1006	1.50	1.62	2.81	0.28
1007	1.75	1.88	3.12	0.38
1008	1.75	1.88	3.12	0.38
1009	2.00	2.25	3.50	0.62
1010	2.00	2.25	3.50	0.62
1011	2.25	2.50	3.88	0.75
1012	2.25	2.50	3.88	0.75

Table 2 (Catalog Numbers)

STRANDED CONDUCTOR DIAMETER RANGE	CATALOG NUMBER									
	SPS									
	1	1 1/4	1 1/2	2	2 1/2	3	3 1/2	4	5	6
INCHES										
0.366 - 0.394	1000.40	1000.40	1000.40	1000.40	1000.40	1000.40	1000.40	1000.40	1000.40	1000.40
0.395 - 0.428	1000.44	1000.44	1000.44	1000.44	1000.44	1000.44	1000.44	1000.44	1000.44	1000.44
0.429 - 0.459	1000.47	1000.47	1000.47	1000.47	1000.47	1000.47	1000.47	1000.47	1000.47	1000.47
0.460 - 0.490	1001.50	1002.50	1002.50	1002.50	1002.50	1002.50	1002.50	1002.50	1002.50	1002.50
0.491 - 0.521	1001.53	1002.53	1002.53	1002.53	1002.53	1002.53	1002.53	1002.53	1002.53	1002.53
0.522 - 0.552	1001.56	1002.56	1002.56	1002.56	1002.56	1002.56	1002.56	1002.56	1002.56	1002.56
0.553 - 0.599	1001.61	1002.61	1002.61	1002.61	1002.61	1002.61	1002.61	1002.61	1002.61	1002.61
0.600 - 0.644	1001.66	1002.66	1002.66	1002.66	1002.66	1002.66	1002.66	1002.66	1002.66	1002.66
0.645 - 0.691	1003.70	1003.70	1003.70	1003.70	1004.70	1004.70	1004.70	1004.70	1004.70	1004.70
0.692 - 0.738	1003.75	1003.75	1003.75	1003.75	1004.75	1004.75	1004.75	1004.75	1004.75	1004.75
0.739 - 0.800	1003.81	1003.81	1003.81	1003.81	1004.81	1004.81	1004.81	1004.81	1004.81	1004.81
0.801 - 0.863	1003.88	1003.88	1003.88	1003.88	1004.88	1004.88	1004.88	1004.88	1004.88	1004.88
0.864 - 0.925	-	-	1005.94	1005.94	1005.94	1006.94	1006.94	1006.94	1006.94	1006.94
0.926 - 0.985	-	-	1005.100	1005.100	1005.100	1006.100	1006.100	1006.100	1006.100	1006.100
0.986 - 1.047	-	-	1005.106	1005.106	1005.106	1006.106	1006.106	1006.106	1006.106	1006.106
1.048 - 1.110	-	-	1005.112	1005.112	1005.112	1006.112	1006.112	1006.112	1006.112	1006.112
1.111 - 1.173	-	-	-	1007.119	1007.119	1008.119	1008.119	1008.119	1008.119	1008.119
1.174 - 1.235	-	-	-	1007.125	1007.125	1008.125	1008.125	1008.125	1008.125	1008.125
1.236 - 1.297	-	-	-	1007.131	1007.131	1008.131	1008.131	1008.131	1008.131	1008.131
1.298 - 1.360	-	-	-	1009.138	1009.138	1009.138	1010.138	1010.138	1010.138	1010.138
1.361 - 1.423	-	-	-	1009.144	1009.144	1009.144	1010.144	1010.144	1010.144	1010.144
1.424 - 1.485	-	-	-	1009.150	1009.150	1009.150	1010.150	1010.150	1010.150	1010.150
1.486 - 1.542	-	-	-	1009.156	1009.156	1009.156	1010.156	1010.156	1010.156	1010.156
1.543 - 1.605	-	-	-	1011.162	1011.162	1012.162	1012.162	1012.162	1012.162	1012.162
1.606 - 1.668	-	-	-	1011.169	1011.169	1012.169	1012.169	1012.169	1012.169	1012.169
1.669 - 1.730	-	-	-	1011.175	1011.175	1012.175	1012.175	1012.175	1012.175	1012.175
1.731 - 1.792	-	-	-	1011.181	1011.181	1012.181	1012.181	1012.181	1012.181	1012.181
1.793 - 1.855	-	-	-	1011.188	1011.188	1012.188	1012.188	1012.188	1012.188	1012.188

230 kV Aluminum Tee and Vee Connectors