

DOSSERT®

TYPE WP2C-N-AA, WP2CA-N-30-AA, WP2CA-N-45-AA, WP2CA-N-90-AA

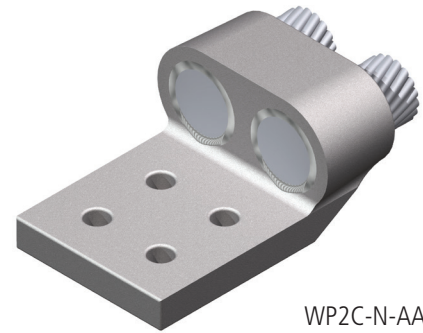
Welded Terminal to Two Cables

Material

Aluminum Alloy

Notes

1. Add "U" for undrilled. Ex: WP2C35-2NU-AA
2. Add "F" for finished on both sides
3. For a 30° add suffix '-30', for a 45° add suffix '-45', and for a 90° add suffix '-90'. You must also add an 'A' after WP2C.
4. For a 350 MCM cable, with a 4 hole pad finished on both sides, with a 45° angle use WP2CA35-4NF-45-AA.



WP2C-N-AA



WP2CA-N-45-AA

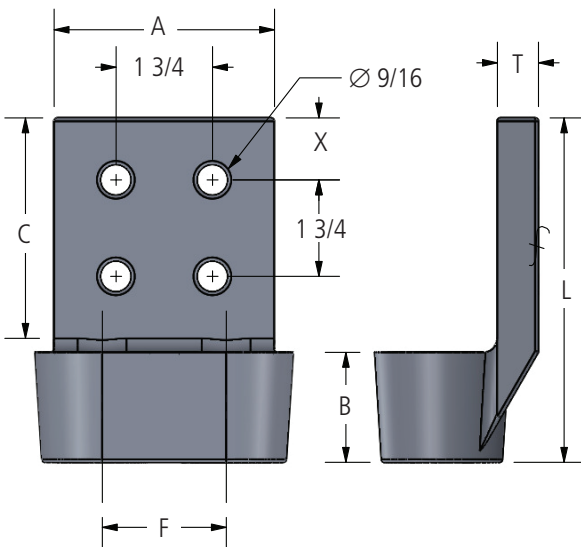


FIG. 2

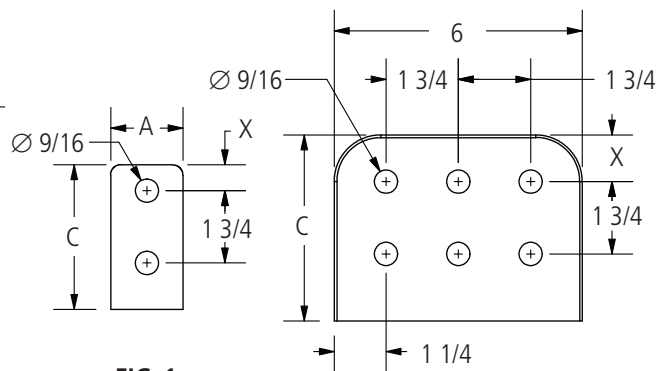


FIG. 1

FIG. 3

continued
→