

DOSSERT® TYPE WTC-AA

Welded Tee to Flat

For welding a two, four, or six hole NEMA pad to a pipe.

Material

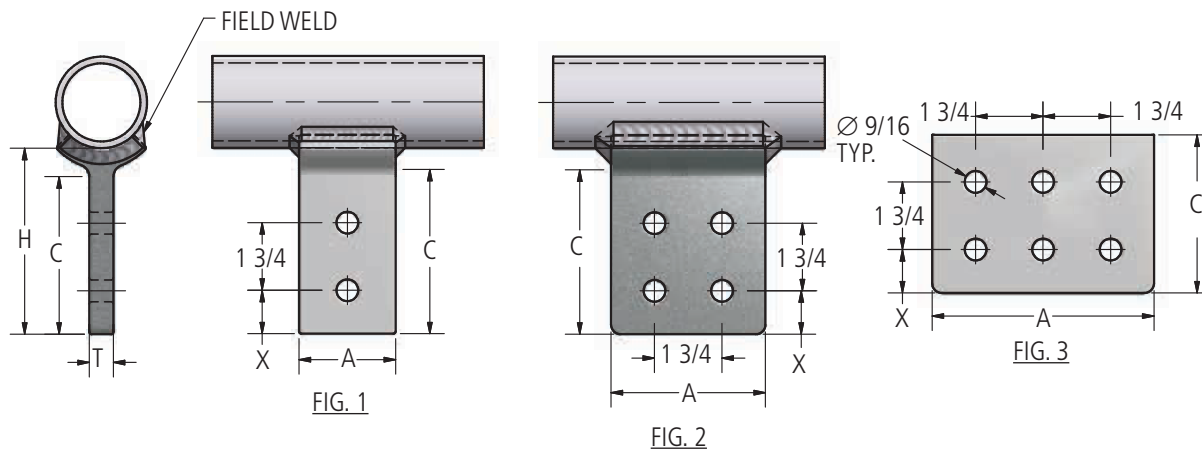
Aluminum Alloy

Notes

Add "U" for undrilled holes on pad.

EX: WTC250-2NU-AA

Add "F" for finish on both sides of the pad. EX: WTC250-2NF-AA.



230 kV Aluminum Pipe
Taps & Extensions

Ordering Information

CATALOG NUMBER	SPS RANGE	FIG. NO.	DIMENSIONS IN INCHES				
			A	C	H	T	X
WTC250-2N-AA	1 THRU 2 1/2	1	2	3 1/4	3 7/8	5/8	5/8
WTC250-4N-AA	1 THRU 2 1/2	2	3	3 1/4	3 7/8	1/2	5/8
WTC250-4N4-AA	1 THRU 2 1/2	2	4	4 1/4	4 7/8	5/8	1 1/8
WTC600-2N-AA	3 THRU 6	1	2	3 1/4	4	3/4	5/8
WTC 600-4N-AA	3 THRU 6	2	3	3 1/4	4	3/4	5/8
WTC 600-4N4-AA	3 THRU 6	2	4	4 1/4	5	3/4	1 1/8
WTC 600-6N4-AA	3 THRU 6	3	6	4	5	3/4	1 1/8
WTC800R-4N4	8" OD	2	4	4 1/4	5	3/4	1 1/8