

DOSSERT®

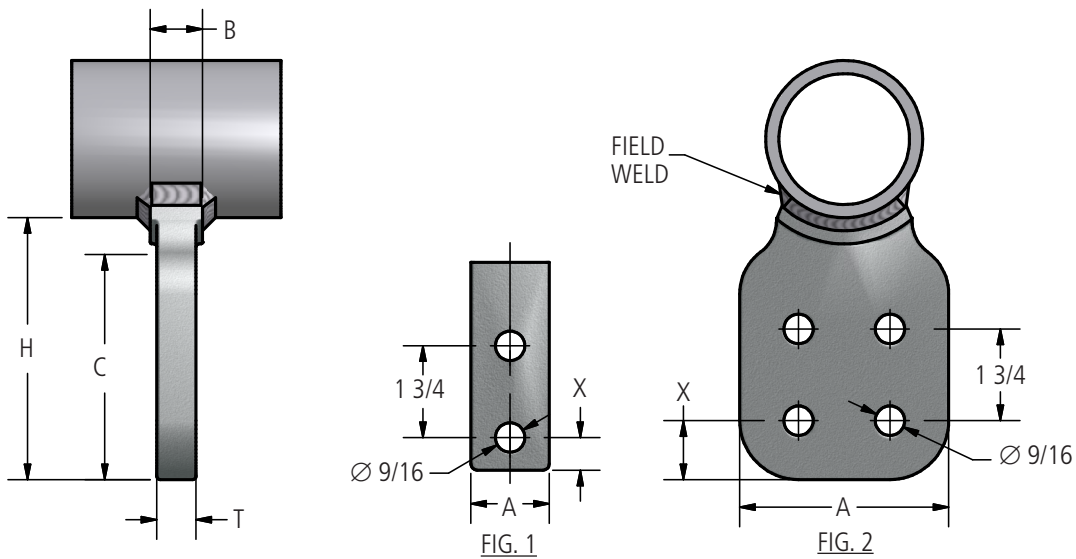
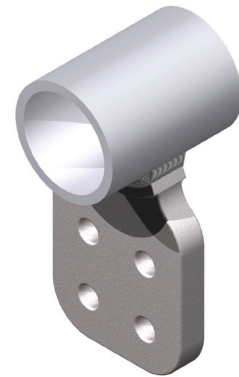
TYPE WTF-AA

Perpendicular Pipe Tap

Transverse tee taps are designed to provide terminal connections in span on tubular bus. Pads have contact surfaces on both sides. Pads conform to NEMA standards.

Material

Aluminum Alloy



230 kV Aluminum Pipe Taps & Extensions

Ordering Information

CATALOG NUMBER	SPS		FIG. NO.	DIMENSIONS IN INCHES					
	MIN	MAX		A	B	C	H	T	X
WTF250-2N-AA	1	2-1/2	1	2	7/8	3-1/8	3-3/4	1/2	5/8
WTF250-4N-AA	1	2-1/2	2	3	7/8	3-1/8	3-3/4	1/2	5/8
WTF250-4N4-AA	1	2-1/2	2	4	7/8	4-1/8	4-3/4	1/2	1-1/8
WTF600-2N-AA	3	6	1	2	1	3-1/8	3-3/4	3/4	5/8
WTF600-4N-AA	3	6	2	3	1	3-1/8	3-3/4	3/4	5/8
WTF600-4N4-AA	3	6	2	4	1	4-1/8	4-3/4	3/4	1-1/8