

DOSSERT[®] TYPE WSXL-SI-AA

Aluminum To Bronze Angular Expansion Connector

Expansion connector is designed for expansion and contraction in long bus runs. Stud connector can be adjusted to suit customers application.

Material

Aluminum Alloy

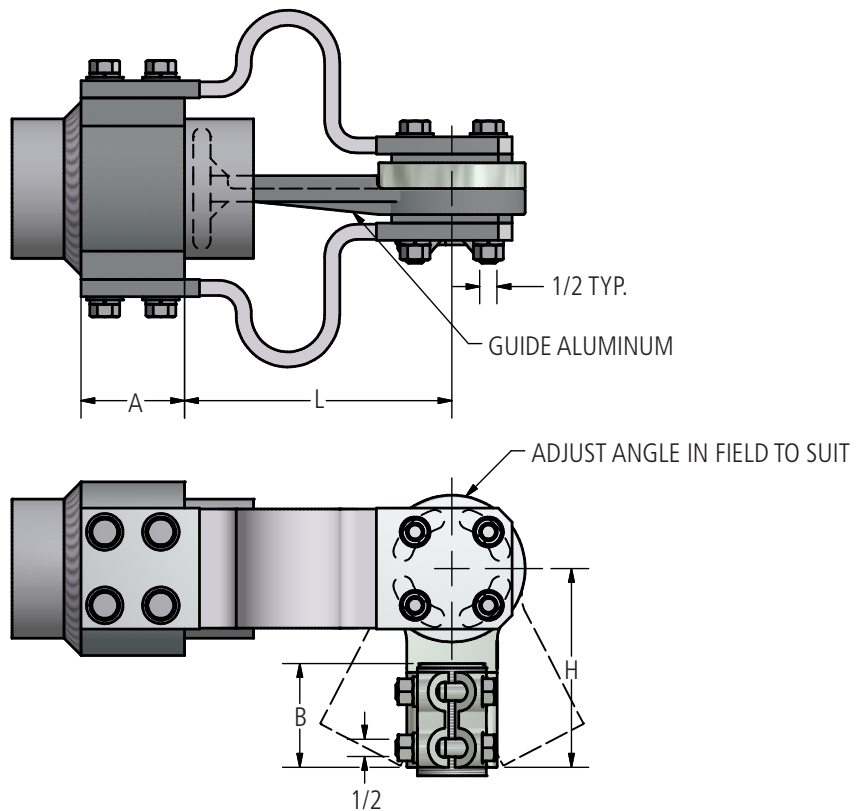
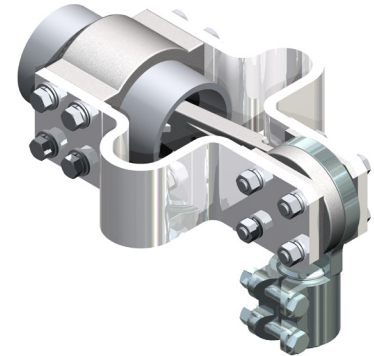
Hardware

Stainless steel nuts, bolts and belleville washers on aluminum bus.

Notes

For a custom thread count change the number after the "T" in the catalog number. Ex: WSXL200C-350-SI-T0-AA

Additional sizes are available.



Ordering Information

STUD (S)	SPS	CATALOG NUMBER	DIMENSIONS IN INCHES			
			A	B	H	L
2"-12	2	WSXL200C-350-SI-T12-AA	3	2 3/4	5 3/4	7 3/4
2"-12	4E*	WSXL200C-400E-SI-T12-AA	3	2 3/4	5 3/4	9 5/16
3"-12	4E*	WSXL300C-400E-SI-T12-AA	3	3	6 5/8	9 5/16

* Suffix E indicates SCH 80.