

DOSSERT®

TYPE PFTS

Pipe To Flat Bar Tee Connector

A tee connector for joining a single bar tap conductor to a tubular bus run. Made of high conductivity cast copper alloy.

Material

Copper Alloy

Hardware

Everdur-bolts, nuts, and lockwashers.

Notes

- For finish on both surfaces, add suffix "-F" to end of catalog number.
EX: PFTS 100-1-2NF
- For tin plating add suffix "-SN" to end of catalog number. EX: PFTS100-1-2N-SN

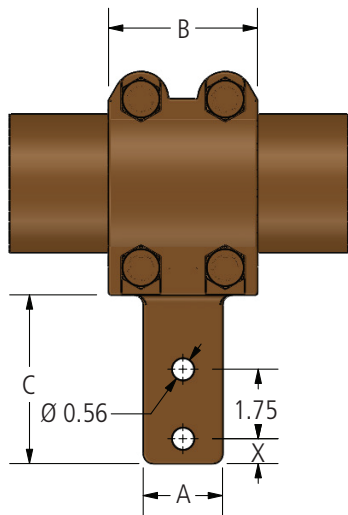
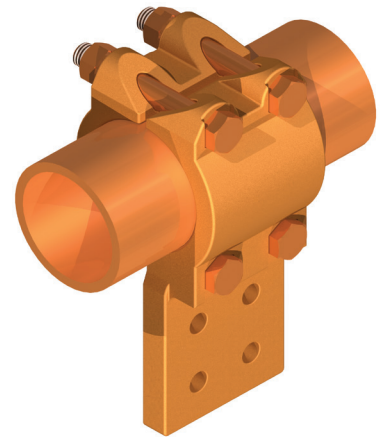


FIG. 1

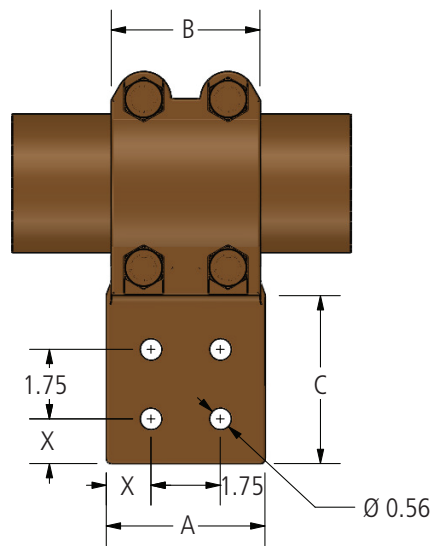


FIG. 2

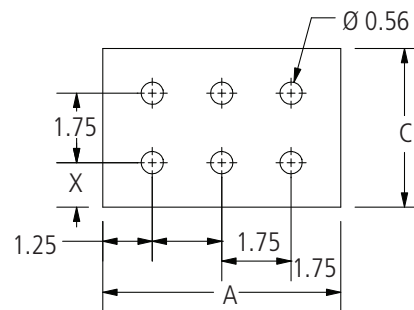
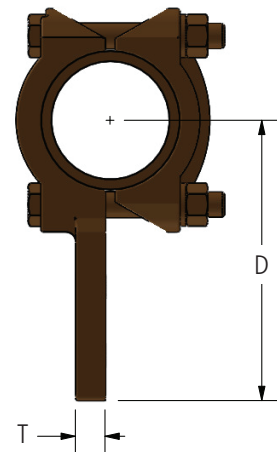


FIG. 3

DOSSERT®

TYPE PFTS

Pipe To Flat Bar Tee Connector

Ordering Information

CATALOG NUMBER	SPS	FIG. NO.	DIMENSIONS IN INCHES						BOLT SIZE
			A	B	C	D	T	X	
PFTS75-1-2N	3/4	1	2.00	2.00	3.00	4.63	0.38	0.63	1/2
PFTS75-1-3N	3/4	2	3.00	2.00	3.00	4.50	0.31	0.63	3/8
PFTS100-1-2N	1	1	2.00	2.13	3.00	4.63	0.38	0.63	1/2
PFTS100-1-3N	1	2	3.00	2.13	3.00	4.81	0.38	0.63	1/2
PFTS100-1-4N	1	2	4.00	2.13	3.00	4.81	0.38	0.63	1/2
PFTS125-1-2N	1 1/4	1	2.00	2.50	3.00	4.94	0.50	0.63	1/2
PFTS125-1-3N	1 1/4	2	3.00	2.50	3.00	4.94	0.50	0.63	1/2
PFTS125-1-4N	1 1/4	2	4.00	2.50	3.00	4.94	0.50	0.63	1/2
PFTS150-1-2N	1 1/2	1	2.00	2.63	3.00	5.06	0.50	0.63	1/2
PFTS150-1-3N	1 1/2	2	3.00	2.63	3.00	5.06	0.50	0.63	1/2
PFTS150-1-4N4	1 1/2	2	4.00	2.63	4.00	6.06	0.50	1.13	1/2
PFTS150-1-4N	1 1/2	2	4.00	2.63	3.00	5.06	0.50	0.63	1/2
PFTS200-1-2N	2	1	2.00	2.75	3.00	5.31	0.63	0.63	1/2
PFTS200-1-3N	2	2	3.00	2.75	3.00	5.31	0.63	0.63	1/2
PFTS200-1-4N4	2	2	4.00	2.75	4.00	6.31	0.63	1.13	1/2
PFTS200-1-4N	2	2	4.00	2.75	3.00	5.31	0.63	0.63	1/2
PFTS250-1-2N	2 1/2	1	2.00	2.75	3.00	5.56	0.63	0.63	1/2
PFTS250-1-3N	2 1/2	2	3.00	2.75	3.00	5.56	0.63	0.63	1/2
PFTS250-1-4N4	2 1/2	2	4.00	2.75	4.00	6.31	0.75	1.13	1/2
PFTS250-1-4N	2 1/2	2	4.00	2.75	3.00	5.56	0.75	0.63	1/2
PFTS300-1-2N	3	1	2.00	3.25	3.00	6.06	0.75	0.63	5/8
PFTS300-1-3N	3	2	3.00	3.25	3.00	6.06	0.75	0.63	5/8
PFTS300-1-4N4	3	2	4.00	3.25	4.00	7.06	0.75	1.13	5/8
PFTS300-1-4N	3	2	4.00	3.25	3.00	6.06	0.75	0.63	5/8
PFTS350-1-2N	3 1/2	1	2.00	3.25	3.25	6.31	0.88	0.63	5/8
PFTS350-1-3N	3 1/2	2	3.00	3.25	3.00	6.31	0.88	0.63	5/8
PFTS350-1-4N4	3 1/2	2	4.00	3.25	4.00	7.31	0.88	1.13	5/8
PFTS350-1-4N	3 1/2	2	4.00	3.25	3.00	6.31	0.88	0.63	5/8
PFTS400-1-3N	4	2	3.00	3.25	3.00	6.56	0.88	0.63	5/8
PFTS400-1-4N4	4	2	4.00	3.25	4.00	7.56	0.88	1.13	5/8
PFTS400-1-4N	4	2	4.00	3.25	3.00	6.56	0.88	0.63	5/8
PFTS500-1-3N	5	2	3.00	3.75	3.00	7.13	1.00	0.63	5/8
PFTS500-1-4N4	5	2	4.00	3.75	4.00	8.13	1.00	1.13	5/8
PFTS500-1-4N	5	2	4.00	3.75	3.00	7.13	1.00	0.63	5/8
PFTS500-1-6N4	5	3	6.00	3.75	4.00	8.13	1.00	1.13	5/8
PFTS500R-1-4N4	5 OD	2	4.00	3.25	4.00	7.81	1.00	1.13	5/8
PFTS600-1-4N4	6	2	4.00	5.75	4.00	8.75	1.25	1.13	5/8

Bronze Terminals, Taps