

DOSSERT®

TYPE GK

Ground Clamp For 3 Cables To Fence Post

A ground connector for grounding three equal size cables at right angles to a grounding pipe or rod. Use of highly corrosion resistant materials allows the connector to be buried in the ground after connection is made. Finds wide application in the grounding of fences and structural members about a substation.

Material

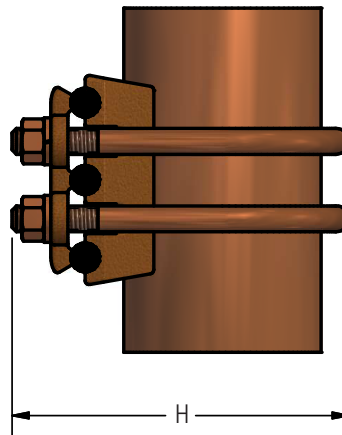
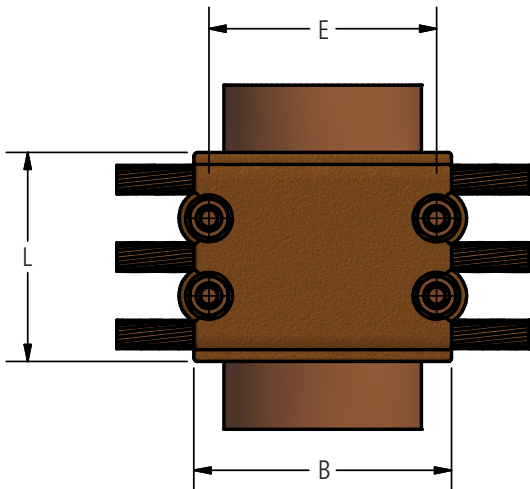
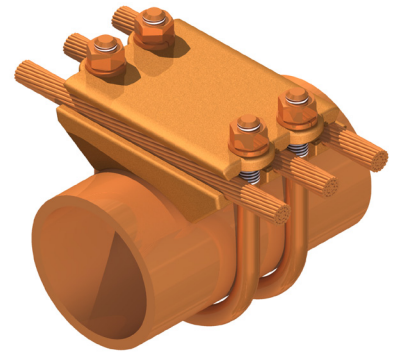
Copper Alloy

Note

For tin plating add suffix (SN) to catalog number. Example: GK25-4-SN

Hardware

Everdur bolts, nuts and lockwashers





Bronze Grounding Connectors and Everdur Hardware

DOSSERT®

TYPE GK

Ground Clamp For 3 Cables To Fence Post

Ordering Information

CATALOG NUMBER	GROUNDING		CABLE RANGE		DIMENSIONS IN INCHES				BOLT SIZE
	PIPE SPS	ROD	MIN	MAX	B	E	H	L	
GK25-4	1/4	1/2	8 Solid	#4 Stranded	1 5/8	1	2 1/16	2 1/2	3/8
GK25-13	1/4	1/2	4 Solid	2/0 Stranded	1 5/8	1	2 3/16	3 1/16	3/8
GK25-25	1/4	1/2	2/0 Solid	250 MCM	1 3/4	1 1/8	2 1/2	3 3/4	1/2
GK38-4	3/8	5/8 or 3/4	8 Solid	#4 Stranded	1 3/4	1 3/16	2 1/4	2 1/2	3/8
GK38-13	3/8	5/8 or 3/4	4 Solid	2/0 Stranded	1 3/4	1 3/16	2 3/8	3 1/16	3/8
GK38-25	3/8	5/8 or 3/4	2/0 Solid	250 MCM	2	1 5/16	2 11/16	3 3/4	1/2
GK38-50	3/8	5/8 or 3/4	300 MCM	500 MCM	2	1 5/16	3 3/16	4 5/8	1/2
GK75-4	1/2 or 3/4	7/8 or 1	8 Solid	#4 Stranded	2 1/4	1 1/2	2 1/2	2 1/2	3/8
GK75-13	1/2 or 3/4	7/8 or 1	4 Solid	2/0 Stranded	2 1/4	1 1/2	2 5/8	3 1/16	3/8
GK75-25	1/2 or 3/4	7/8 or 1	2/0 Solid	250 MCM	2 1/2	1 5/8	2 15/16	3 3/4	1/2
GK75-50	1/2 or 3/4	7/8 or 1	300 MCM	500 MCM	2 1/2	1 5/8	3 1/2	4 5/8	1/2
GK100-4	1	-	8 Solid	#4 Stranded	2 1/2	1 3/4	2 3/4	2 1/2	3/8
GK100-13	1	-	4 Solid	2/0 Stranded	2 1/2	1 3/4	2 7/8	3 1/16	3/8
GK100-25	1	-	2/0 Solid	250 MCM	2 5/8	1 7/8	3 1/4	3 3/4	1/2
GK100-50	1	-	300 MCM	500 MCM	2 7/8	1 7/8	3 3/4	4 5/8	1/2
GK100-75	1	-	500 MCM	750 MCM	2 7/8	1 7/8	3 7/8	5 1/4	1/2
GK125-4	1 1/4	-	8 Solid	#4 Stranded	2 1/2	2 1/8	3 1/8	2 1/2	3/8
GK125-13	1 1/4	-	4 Solid	2/0 Stranded	2 5/8	2 1/8	3 1/4	3 1/16	3/8
GK125-25	1 1/4	-	2/0 Solid	250 MCM	2 5/8	2 1/4	3 5/8	3 3/4	1/2
GK125-50	1 1/4	-	300 MCM	500 MCM	3	2 1/4	4	4 5/8	1/2
GK125-75	1 1/4	-	500 MCM	750 MCM	3	2 1/4	4 3/4	5 1/4	1/2
GK150-4	1 1/2	-	8 Solid	#4 Stranded	3 1/8	2 3/8	3 3/8	2 1/2	3/8
GK150-13	1 1/2	-	4 Solid	2/0 Stranded	3 1/8	2 3/8	3 1/2	3 1/16	3/8
GK150-25	1 1/2	-	2/0 Solid	250 MCM	3 1/4	2 1/2	3 7/8	3 3/4	1/2
GK150-50	1 1/2	-	300 MCM	500 MCM	3 1/2	2 1/2	4 3/8	4 5/8	1/2
GK150-75	1 1/2	-	500 MCM	750 MCM	3 1/2	2 1/2	4 5/8	5 1/4	1/2
GK150-100	1 1/2	-	750 MCM	1000 MCM	3 9/16	2 1/2	4 3/4	6	1/2
GK200-4	2	-	8 Solid	#4 Stranded	3 7/8	2 13/16	3 7/8	2 1/2	3/8
GK200-13	2	-	4 Solid	2/0 Stranded	4	2 13/16	4 1/8	3 1/16	3/8
GK200-25	2	-	2/0 Solid	250 MCM	4	2 15/16	4 9/16	3 3/4	1/2
GK200-50	2	-	300 MCM	500 MCM	4	2 15/16	4 3/4	4 5/8	1/2
GK200-75	2	-	500 MCM	750 MCM	4 1/8	2 15/16	5 1/8	5 1/4	1/2
GK200-100	2	-	750 MCM	1000 MCM	4 1/4	2 15/16	5 3/8	6	1/2
GK250-4	-	2 1/2	8 Solid	#4 Stranded	4 1/4	3 5/16	4 1/2	2 1/2	3/8
GK250-13	-	2 1/2	4 Solid	2/0 Stranded	4 1/4	3 5/16	4 3/4	3 1/16	3/8
GK250-25	-	2 1/2	2/0 Solid	250 MCM	4 1/2	3 7/16	5 3/16	3 3/4	1/2
GK250-50	-	2 1/2	300 MCM	500 MCM	4 1/2	3 7/16	5 1/4	4 5/8	1/2
GK250-75	-	2 1/2	500 MCM	750 MCM	4 3/4	3 7/16	5 9/16	5 1/4	1/2
GK250-100	-	2 1/2	750 MCM	1000 MCM	4 3/4	3 7/16	5 7/8	6	1/2
GK300-4	-	3	8 Solid	#4 Stranded	5	4	5	2 1/2	3/8
GK300-13	-	3	4 Solid	2/0 Stranded	5	4	5 1/4	3 1/16	3/8
GK300-25	-	3	2/0 Solid	250 MCM	5	4 1/8	5 5/8	3 3/4	1/2
GK300-50	-	3	300 MCM	500 MCM	5 1/4	4 1/8	5 7/8	4 5/8	1/2
GK300-75	-	3	500 MCM	750 MCM	5 1/4	4 1/8	6 3/8	5 1/4	1/2
GK300-100	-	3	750 MCM	1000 MCM	5 1/4	4 1/8	6 11/16	6	1/2

Bronze Grounding Connectors and Everdur Hardware