

## DOSSERT®

### TYPE GPC

#### Ground Clamp for Cable to Pipe in Parallel

A ground clamp for connecting a cable to a rod or pipe in a parallel or right angle position. Each position will accommodate a wide range of cable sizes. The cable can be placed in either clamping position without disassembly of clamp. Whole clamp is highly corrosion resistant.

#### Material

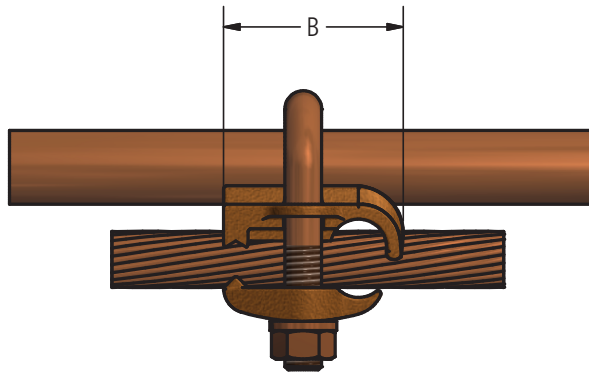
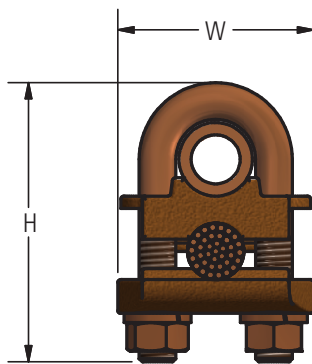
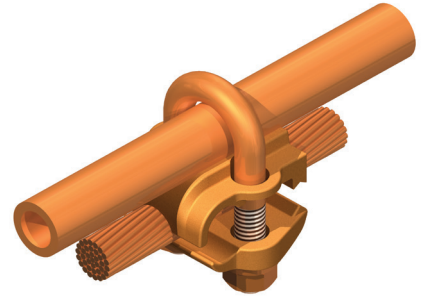
Copper Alloy

#### Hardware

Everdur U-bolts, nuts and lockwashers

#### Notes

- For O.D. pipe sizes to specified, add -R to catalog number, EX: GPC38R-4
- For tin plating add suffix "-SN" to end of catalog number. EX: GPC38-4-SN
- All sizes are not shown, please contact customer service.





# Bronze Grounding Connectors and Everdur Hardware

## DOSSERT®

### TYPE GPC

Ground Clamp for Cable to Pipe in Parallel

### Ordering Information

CATALOG NUMBER	GROUNDING		CABLE RANGE		DIMENSIONS IN INCHES			BOLT SIZE
	PIPE SPS	ROD	MIN	MAX	B	H	W	
GPC25-4	1/4	1/2	8 Solid	4 Stranded	1.44	2.44	1.88	3/8
GPC25-13	1/4	1/2	4 Solid	2/0 Stranded	1.63	2.44	1.88	3/8
GPC25-25	1/4	1/2	2/0 Solid	250 MCM	1.88	2.50	1.88	3/8
GPC25-50	1/4	1/2	300 MCM	500 MCM	1.88	2.50	1.88	3/8
GPC38-4	3/8	5/8 or 3/4	8 Solid	4 Stranded	1.44	2.50	2.00	3/8
GPC38-13	3/8	5/8 or 3/4	4 Solid	2/0 Stranded	1.63	2.63	2.00	3/8
GPC38-25	3/8	5/8 or 3/4	2/0 Solid	250 MCM	1.88	2.75	2.00	3/8
GPC38-50	3/8	5/8 or 3/4	300 MCM	500 MCM	2.38	3.25	2.38	1/2
GPC75-4	1/2 or 3/4	7/8 or 1	8 Solid	4 Stranded	1.44	2.56	2.38	3/8
GPC75-13	1/2 or 3/4	7/8 or 1	4 Solid	2/0 Stranded	1.63	2.75	2.38	3/8
GPC75-25	1/2 or 3/4	7/8 or 1	2/0 Solid	250 MCM	1.88	2.88	2.38	3/8
GPC75-50	1/2 or 3/4	7/8 or 1	300 MCM	500 MCM	2.38	3.50	2.75	1/2
GPC100-4	1	1 1/8 - 1 1/4	8 Solid	4 Stranded	1.44	2.75	2.63	3/8
GPC100-13	1	1 1/8 - 1 1/4	4 Solid	2/0 Stranded	1.63	3.25	2.63	3/8
GPC100-25	1	1 1/8 - 1 1/4	2/0 Solid	250 MCM	1.88	3.25	2.63	3/8
GPC100-50	1	1 1/8 - 1 1/4	300 MCM	500 MCM	2.38	3.75	3.00	1/2
GPC125-4	1 1/4	1 3/8 - 1 5/8	8 Solid	4 Stranded	1.44	3.25	3.00	3/8
GPC125-13	1 1/4	1 3/8 - 1 5/8	4 Solid	2/0 Stranded	1.63	3.56	3.00	3/8
GPC125-25	1 1/4	1 3/8 - 1 5/8	2/0 Solid	250 MCM	1.88	3.63	3.00	3/8
GPC125-50	1 1/4	1 3/8 - 1 5/8	300 MCM	500 MCM	2.38	4.06	3 3/8	1/2
GPC150-4	1 1/2	1 5/8 - 1 7/8	8 Solid	4 Stranded	1.44	3.44	3.25	3/8
GPC150-13	1 1/2	1 5/8 - 1 7/8	4 Solid	2/0 Stranded	1.63	3.44	3.25	3/8
GPC150-25	1 1/2	1 5/8 - 1 7/8	2/0 Solid	250 MCM	1.88	4.00	3.25	3/8
GPC150-50	1 1/2	1 5/8 - 1 7/8	300 MCM	500 MCM	2.38	4.31	3.63	1/2
GPC200-4	2	2 - 2 1/2	8 Solid	4 Stranded	1.44	3.88	3.69	3/8
GPC200-13	2	2 - 2 1/2	4 Solid	2/0 Stranded	1.63	4.25	3.69	3/8
GPC200-25	2	2 - 2 1/2	2/0 Solid	250 MCM	1.88	4.44	3.69	3/8
GPC200R-25	-	2 1/2	2/0 Solid	250 MCM	1.88	4.44	3.69	3/8
GPC200-50	2	2 - 2 1/2	300 MCM	500 MCM	2.38	5.16	4.06	1/2
GPC250-4	2 1/2	2 5/8 - 2 7/8	8 Solid	4 Stranded	1.44	4.38	4.19	3/8
GPC250-13	2 1/2	2 5/8 - 2 7/8	4 Solid	2/0 Stranded	1.63	4.75	4.19	3/8
GPC250-25	2 1/2	2 5/8 - 2 7/8	2/0 Solid	250 MCM	1.88	4.88	4.19	3/8
GPC250R-25	-	2 1/2	2/0 Solid	250 MCM	1.88	4.88	4.19	3/8
GPC250-50	2 1/2	2 5/8 - 2 7/8	300 MCM	500 MCM	2.38	5.50	4.56	1/2
GPC300-4	3	3 1/4 - 3 1/2	8 Solid	4 Stranded	1.44	5.00	4.81	3/8
GPC300-13	3	3 1/4 - 3 1/2	4 Solid	2/0 Stranded	1.63	5.38	4.75	3/8
GPC300-25	3	3 1/4 - 3 1/2	2/0 Solid	250 MCM	1.81	5.50	4.75	3/8
GPC300R-25	-	3	2/0 Solid	250 MCM	1.88	5.50	4.31	3/8
GPC300-50	3	3 1/2	300 MCM	500 MCM	2.38	5.75	5.19	1/2
GPC350-4	3 1/2	3 3/4 - 4	8 Solid	4 Stranded	1.44	5.50	5.19	3/8
GPC350-13	3 1/2	3 3/4 - 4	4 Solid	2/0 Stranded	1.63	5.88	5.38	3/8
GPC350-25	3 1/2	3 3/4 - 4	2/0 Solid	250 MCM	1.88	6.00	5.31	3/8
GPC350-50	3 1/2	3 3/4 - 4	300 MCM	500 MCM	2.38	6.81	5.69	1/2
GPC400-4	4	4 1/4 - 4 1/2	8 Solid	4 Stranded	1.44	6.00	5.81	3/8
GPC400-13	4	4 1/4 - 4 1/2	4 Solid	2/0 Stranded	1.63	6.38	5.75	3/8
GPC400-25	4	4 1/4 - 4 1/2	2/0 Solid	250 MCM	1.81	6.50	5.75	3/8
GPC400R-25	-	4	2/0 Solid	250 MCM	1.88	6.00	5.31	3/8
GPC400-50	4	4 1/4 - 4 1/2	300 MCM	500 MCM	2.38	7.41	6.19	1/2
GPC600-50	6	6 5/8	300 MCM	500 MCM	2.38	9.77	8.31	1/2

Bronze Grounding Connectors and Everdur Hardware