

## DOSSERT®

### TYPE GPF

#### Universal Ground Connector for Cable to Pipe

A universal ground connector for connecting a groundwire or cable to pipe. The rotatable feature of the conductor clamping element permits the positioning and clamping of the wire or cable at any angle through a full 360° arc.

#### Material

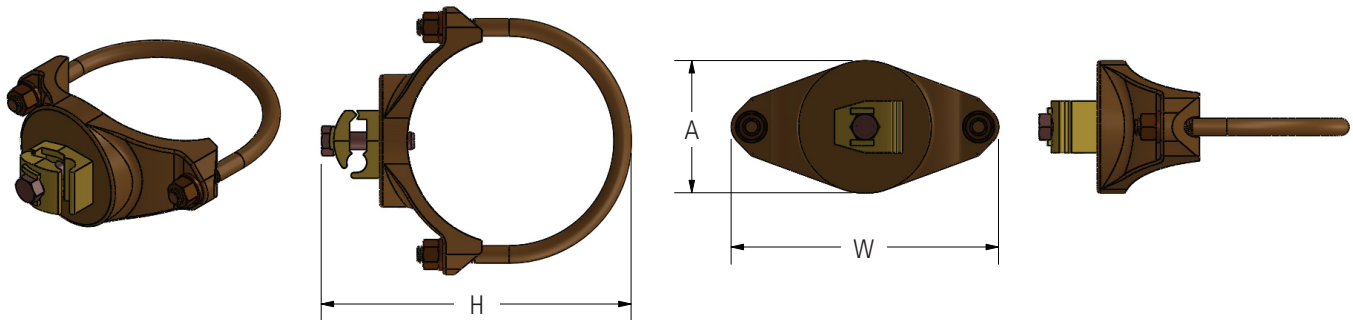
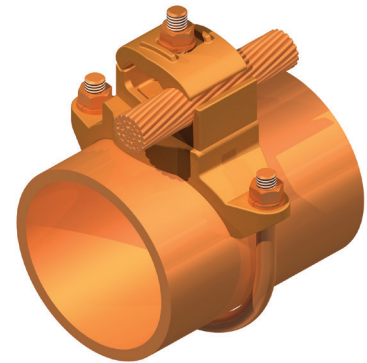
Copper Alloy

#### Hardware

Everdur bolts, lockwashers and nuts

#### Note

For tin plating, add suffix "-SN" to catalog number. Example: GPF250-13-SN



## Ordering Information

CATALOG NUMBER	GROUND PIPE SPS	CABLE RANGE		DIMENSIONS IN INCHES			
		MIN	MAX	A	H	W	BOLT SIZE
GPF100-25	1	2/0 Solid	250 MCM	1.38	4.33	2.63	3/8
GPF200-25	2	2/0 Solid	250 MCM	2.00	5.38	3.69	3/8
GPF200-50	2	300 MCM	500 MCM	2.00	5.66	3.69	3/8
GPF250-4	2 1/2	8 Solid	4 Stranded	1.63	4.75	4.19	3/8
GPF250-13	2 1/2	4 Solid	2/0 Stranded	2.25	4.88	4.19	3/8
GPF250-25	2 1/2	2/0 Solid	250 MCM	2.25	5.25	4.19	3/8
GPF250-50	2 1/2	300 MCM	500 MCM	2.50	6.04	4.19	1/2
GPF300-4	3	8 Solid	4 Stranded	1.63	5.38	4.81	3/8
GPF300-13	3	4 Solid	2/0 Stranded	2.25	5.50	4.81	3/8
GPF300-25	3	2/0 Solid	250 MCM	2.25	5.75	4.81	3/8
GPF300-50	3	300 MCM	500 MCM	2.88	6.25	5.19	1/2
GPF350-4	3 1/2	8 Solid	4 Stranded	1.63	5.88	5.31	3/8
GPF350-13	3 1/2	4 Solid	2/0 Stranded	2.25	6.00	5.31	3/8
GPF350-25	3 1/2	2/0 Solid	250 MCM	2.50	6.60	5.31	3/8
GPF350-50	3 1/2	300 MCM	500 MCM	2.50	7.16	5.31	1/2
GPF400-4	4	8 Solid	4 Stranded	1.63	6.38	5.81	3/8
GPF400-13	4	4 Solid	2/0 Stranded	2.25	6.50	5.81	3/8
GPF400-25	4	2/0 Solid	250 MCM	2.25	6.75	5.81	3/8
GPF400-50	4	300 MCM	500 MCM	2.88	7.25	6.19	1/2
GPF450-13	4 1/2	4 Solid	2/0 Stranded	2.25	7.00	6.31	3/8
GPF450-25	4 1/2	2/0 Solid	250 MCM	2.50	7.25	6.31	3/8
GPF450-50	4 1/2	300 MCM	500 MCM	2.88	7.75	6.69	1/2
GPF500-13	5	4 Solid	2/0 Stranded	2.25	7.56	6.88	3/8
GPF500-25	5	2/0 Solid	250 MCM	2.50	7.81	6.88	3/8
GPF500-50	5	300 MCM	500 MCM	2.88	8.31	7.25	1/2
GPF600-13	6	4 Solid	2/0 Stranded	2.25	8.50	7.94	3/8
GPF600-25	6	2/0 Solid	250 MCM	2.50	8.75	7.94	3/8
GPF600R-25	6	2/0 Solid	250 MCM	2.50	8.75	7.31	3/8
GPF600-50	6	300 MCM	500 MCM	2.88	9.25	8.38	1/2

Bronze Grounding Connectors and Everdur Hardware