

DOSSERT®

TYPE GS

Grounding Clamp for 2 Cables to Pipe at 90°

A ground connector for grounding two wires or cables to a ground rod pipe. Designed to accommodate a wide range of conductor sizes.

Material

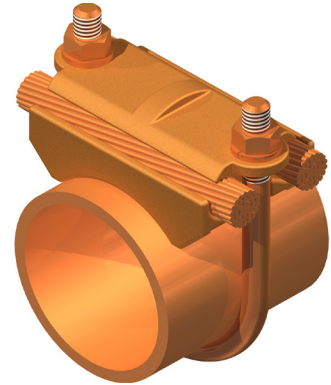
Copper Alloy

Note

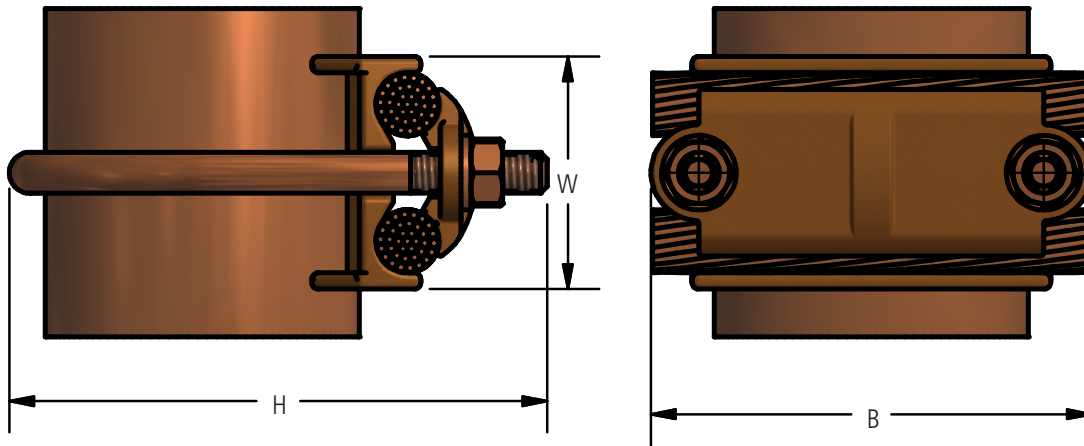
For tin plating add suffix "-SN" to catalog number. Example: GS38-25-SN

Hardware

Everdur U-bolts, nuts and lockwashers



Bronze Grounding Connectors and Everdur Hardware



Ordering Information

CATALOG NUMBER	GROUNDING		CABLE RANGE		DIMENSIONS IN INCHES			BOLT SIZE
	PIPE SPS	ROD	MIN	MAX	B	H	W	
GS25-4	1/4	1/2	8 Solid	4 Stranded	1 13/16	2 1/8	1 7/16	3/8
GS25-13	1/4	1/2	4 Solid	2/0 Stranded	1 13/16	2 1/4	1 7/8	3/8
GS25-25	1/4	1/2	2/0 Solid	250 MCM	1 13/16	2 7/16	2 3/16	3/8
GS38-4	3/8	5/8 - 3/4	8 Solid	4 Stranded	2	2 5/16	2	3/8
GS38-13	3/8	5/8 - 3/4	4 Solid	2/0 Stranded	2	2 1/2	2	3/8
GS38-25	3/8	5/8 - 3/4	2/0 Solid	250 MCM	2	2 5/8	2	3/8
GS38-50	3/8	5/8 - 3/4	300 MCM	500 MCM	2 3/8	3 3/16	2 3/8	1/2
GS75-4	1/2 - 3/4	7/8 - 1	8 Solid	4 Stranded	2 3/8	2 3/4	1 7/16	3/8
GS75-13	1/2 - 3/4	7/8 - 1	4 Solid	2/0 Stranded	2 3/8	2 15/16	1 7/8	3/8
GS75-25	1/2 - 3/4	7/8 - 1	2/0 Solid	250 MCM	2 3/8	3 1/16	2 3/16	3/8
GS75-50	1/2 - 3/4	-	300 MCM	500 MCM	2 3/4	3 1/2	2 7/8	1/2
GS100-4	1	-	8 Solid	4 Stranded	2 5/8	3 1/16	1 7/16	3/8
GS100-13	1	-	4 Solid	2/0 Stranded	2 5/8	3 3/16	1 7/8	3/8
GS100-25	1	-	2/0 Solid	250 MCM	2 5/8	3 3/8	2 3/16	3/8
GS100-50	1	-	300 MCM	500 MCM	2 5/8	3 15/16	2 7/8	1/2
GS100-75	1	-	500 MCM	750 MCM	3 1/4	4 1/8	3 1/4	1/2
GS150-4	1 1/2	2	8 Solid	4 Stranded	3 3/16	4	1 7/16	3/8
GS150-13	1 1/2	2	4 Solid	2/0 Stranded	3 1/4	4	1 7/8	3/8
GS150-25	1 1/2	2	2/0 Solid	250 MCM	3 1/4	4	2 3/16	3/8
GS150-50	1 1/2	2	300 MCM	500 MCM	3 5/8	4 7/8	2 3/4	1/2
GS200-13	2	-	4 Solid	2/0 Stranded	3 11/16	4 3/8	1 7/8	3/8
GS200-25	2	-	2/0 Solid	250 MCM	3 11/16	4 1/2	2 3/16	3/8
GS250-13	2 1/2	-	4 Solid	2/0 Stranded	4 3/16	4 15/16	1 7/8	3/8
GS250-25	2 1/2	-	2/0 Solid	250 MCM	4 3/16	5 1/16	2 3/16	3/8
GS300-13	3	-	4 Solid	2/0 Stranded	4 13/16	5 7/16	1 7/8	3/8
GS300-25	3	-	2/0 Solid	250 MCM	4 13/16	5 7/16	2 3/16	3/8
GS350-25	3 1/2	-	4 Solid	2/0 Stranded	5 5/16	6 1/16	1 7/8	3/8
GS350-50	3 1/2	-	300 MCM	500 MCM	5 5/16	6 1/16	2 1/4	3/8