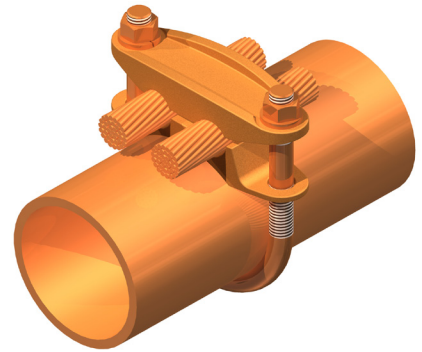


### DOSSERT®

#### TYPE GW

#### Grounding Clamp for 2 Cables to Pipe in Parallel

A clamp type grounding connector for grounding two cables to a single rod or pipe. A single cable may be used by looping back on itself. Each connector is designed to accommodate a wide range of conductor sizes. Other sizes than those listed can be promptly furnished.

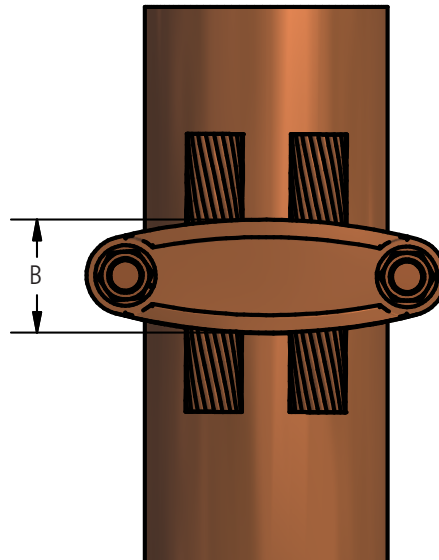
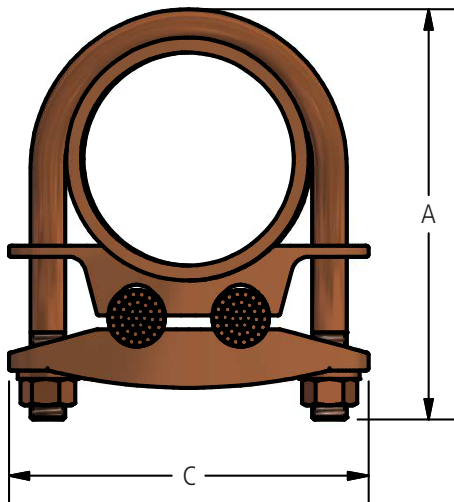


#### Material

Copper Alloy

#### Hardware

Everdur U-bolts, nuts and lockwashers





# Bronze Grounding Connectors and Everdur Hardware

## DOSSERT®

### TYPE GW

Grounding Clamp for 2 Cables to Pipe in Parallel

#### Ordering Information

CATALOG NUMBER	GROUNDING		CABLE RANGE		DIMENSIONS IN INCHES			BOLT SIZE
	PIPE SPS	ROD	MIN	MAX	A	B	C	
GW38-4	3/8	5/8 - 3/4	#8 Solid	#4 Stranded	2 3/8	1 1/8	2 1/16	3/8
GW38-13	3/8	5/8 - 3/4	#4 Solid	2/0 Stranded	2 9/16	1 1/8	2 1/16	3/8
GW38-25	3/8	5/8 - 3/4	2/0 Solid	250 MCM	2 3/4	1 1/8	2 1/16	3/8
GW75-4	3/4	7/8 - 1	#8 Solid	#4 Stranded	2 5/8	1 1/8	2 3/8	3/8
GW75-13	3/4	7/8 - 1	#4 Solid	2/0 Stranded	2 3/4	1 1/8	2 3/8	3/8
GW75-25	3/4	7/8 - 1	2/0 Solid	250 MCM	2 7/8	1 1/8	2 3/8	3/8
GW75-50	3/4	7/8 - 1	300 MCM	500 MCM	4 1/8	1 9/16	3 5/8	3/8
GW100-4	1	1 1/8 - 1 1/4	#8 Solid	#4 Stranded	2 15/16	1 1/8	2 5/8	3/8
GW100-13	1	1 1/8 - 1 1/4	#4 Solid	2/0 Stranded	3	1 1/8	2 5/8	3/8
GW100-25	1	1 1/8 - 1 1/4	2/0 Solid	250 MCM	3 5/16	1 1/8	2 5/8	3/8
GW100-50	1	1 1/8 - 1 1/4	300 MCM	500 MCM	4 1/8	1 9/16	3 5/8	1/2
GW125-4	1 1/4	1 3/8 - 1 5/8	#8 Solid	#4 Stranded	3 3/16	1 3/8	3	3/8
GW125-13	1 1/4	1 3/8 - 1 5/8	#4 Solid	2/0 Stranded	3 5/16	1 3/8	3	3/8
GW125-25	1 1/4	1 3/8 - 1 5/8	2/0 Solid	250 MCM	3 5/8	1 7/16	3	3/8
GW125-50	1 1/4	1 3/8 - 1 5/8	300 MCM	500 MCM	4 1/2	1 9/16	4	1/2
GW150-4	1 1/2	1 3/4 - 2	#8 Solid	#4 Stranded	3 1/2	1 3/8	3 1/4	3/8
GW150-13	1 1/2	1 3/4 - 2	#4 Solid	2/0 Stranded	3 11/16	1 3/8	3 1/4	3/8
GW150-25	1 1/2	1 3/4 - 2	2/0 Solid	250 MCM	3 3/4	1 7/16	3 1/4	3/8
GW150-50	1 1/2	1 3/4 - 2	300 MCM	500 MCM	4 7/16	1 9/16	3 5/8	1/2
GW200-4	2	2 - 2 3/8	#8 Solid	#4 Stranded	4	1 3/8	3 11/16	3/8
GW200-13	2	2 - 2 3/8	#4 Solid	2/0 Stranded	4 3/8	1 3/8	3 11/16	3/8
GW200-25	2	2 - 2 3/8	2/0 Solid	250 MCM	4 1/2	1 1/2	3 11/16	3/8
GW200-50	2	2 - 2 3/8	300 MCM	500 MCM	4 7/8	1 9/16	4 1/16	1/2
GW250-4	2 1/2	2 5/8 - 2 7/8	#8 Solid	#4 Stranded	4 1/2	1 3/8	4 3/16	3/8
GW250-13	2 1/2	2 5/8 - 2 7/8	#4 Solid	2/0 Stranded	4 13/16	1 3/8	4 3/16	3/8
GW250-25	2 1/2	2 5/8 - 2 7/8	2/0 Solid	250 MCM	4 15/16	1 1/2	4 3/16	3/8
GW250-50	2 1/2	2 5/8 - 2 7/8	300 MCM	500 MCM	5 1/4	1 9/16	4 9/16	1/2
GW250-75	2 1/2	2 5/8 - 2 7/8	500 MCM	750 MCM	5 7/8	1 5/8	4 15/16	5/8
GW300-4	3	3 1/4 - 3 1/2	#8 Solid	#4 Stranded	5 1/8	1 3/8	4 13/16	3/8
GW300-13	3	3 1/4 - 3 1/2	#4 Solid	2/0 Stranded	5 7/16	1 3/8	4 13/16	3/8
GW300-25	3	3 1/4 - 3 1/2	2/0 Solid	250 MCM	5 9/16	1 3/8	4 13/16	3/8
GW300-50	3	3 1/4 - 3 1/2	300 MCM	500 MCM	5 7/8	1 9/16	5 3/16	1/2
GW300-75	3	3 1/4 - 3 1/2	500 MCM	750 MCM	6 1/2	1 5/8	5 9/16	5/8
GW300-100	3	3 1/4 - 3 1/2	750 MCM	1000 MCM	6 5/8	1 3/4	5 9/16	5/8
GW350-4	3 1/2	3 3/4 - 4	#8 Solid	#4 Stranded	5 5/8	1 1/2	5 5/16	3/8
GW350-13	3 1/2	3 3/4 - 4	#4 Solid	2/0 Stranded	5 5/16	1 1/2	5 5/16	3/8
GW350-25	3 1/2	3 3/4 - 4	2/0 Solid	250 MCM	6 1/16	1 1/2	5 5/16	3/8
GW350-50	3 1/2	3 3/4 - 4	300 MCM	500 MCM	6 3/8	1 9/16	5 11/16	1/2
GW350-75	3 1/2	3 3/4 - 4	500 MCM	750 MCM	7	1 5/8	6 11/16	5/8
GW350-100	3 1/2	3 3/4 - 4	750 MCM	1000 MCM	7 1/8	1 3/4	6 11/16	5/8
GW400-4	4	4 1/4 - 4 1/2	#8 Solid	#4 Stranded	6 1/8	1 5/8	5 13/16	3/8
GW400-13	4	4 1/4 - 4 1/2	#4 Solid	2/0 Stranded	6 3/16	1 5/8	5 13/16	3/8
GW400-25	4	4 1/4 - 4 1/2	2/0 Solid	250 MCM	6 1/2	1 5/8	5 13/16	3/8
GW400-50	4	4 1/4 - 4 1/2	300 MCM	500 MCM	6 7/8	1 5/8	6 3/16	1/2
GW400-75	4	4 1/4 - 4 1/2	500 MCM	750 MCM	7 1/2	1 5/8	6 9/16	5/8
GW400-100	4	4 1/4 - 4 1/2	750 MCM	1000 MCM	7 5/8	1 3/4	6 9/16	5/8
GW600-4	6	-	#8 Solid	#4 Stranded	8 3/8	1 1/2	7 15/16	3/8
GW600-25	6	-	2/0 Solid	250 MCM	8 5/8	1 5/8	7 15/16	3/8

Bronze Grounding Connectors and Everdur Hardware