

## DOSSERT®

### TYPE GZ

#### Grounding Clamp for 3 Cables to Pipe in Parallel

A triple conductor grounding clamp for grounding three wires or cables to the same ground rod or pipe. The high range of variability permits use of a number of conductor sizes for one connector. The high corrosion resistance of the connector permits the entire assembly to be covered with earth after installation is made.

#### Material

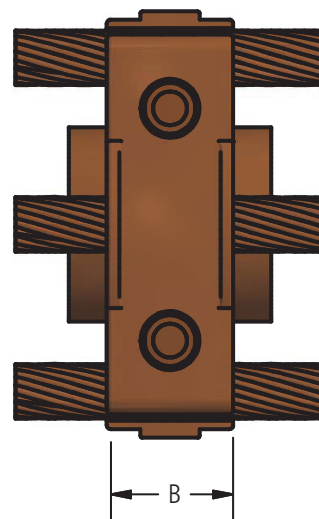
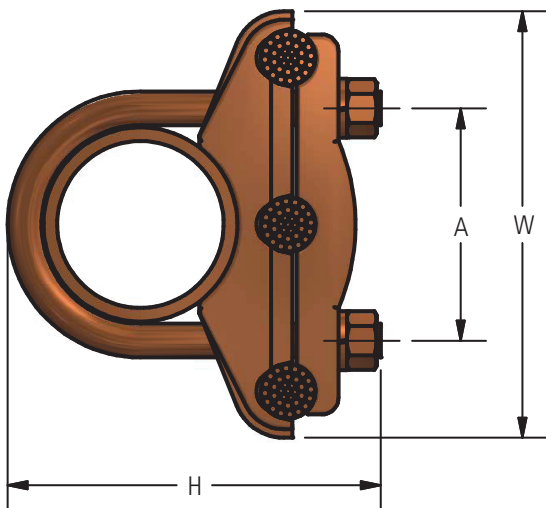
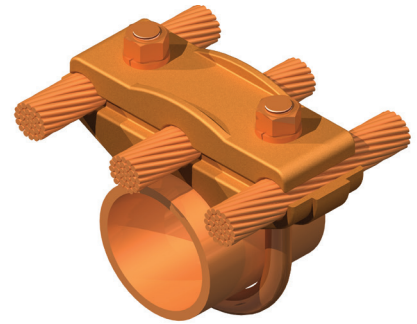
Copper Alloy

#### Hardware

Everdur U-bolts, nuts and lockwashers

#### Notes

- For tin plating, add suffix "-SN" to catalog number. EX: GZ125-50-SN
- For stainless steel bolts, lockwashers and Everdur nuts, add suffix "-SSHBN" to catalog number. EX: GZ125-50-SSHBN
- All sizes are not shown. Please contact the factory.



## DOSSERT®

### TYPE GZ

#### Grounding Clamp for 3 Cables to Pipe in Parallel

#### Ordering Information

CATALOG NUMBER	GROUNDING		CONDUCTOR RANGE		DIMENSIONS IN INCHES				BOLT SIZE
	PIPE SPS	ROD	MIN	MAX	A	B	H	W	
GZ25-4	1/4	1/2	8 Solid	#4 Stranded	1	1 1/2	2 1/16	2 1/4	3/8
GZ25-13	1/4	1/2	4 Solid	2/0 Stranded	1	1 1/2	2 5/16	2 3/4	3/8
GZ25-25	1/4	1/2	2/0 Solid	250 MCM	1 1/8	1 1/2	2 11/16	3 3/16	1/2
GZ38-4	3/8	5/8 or 3/4	8 Solid	#4 Stranded	1 3/16	1 1/2	2 5/8	2 3/4	3/8
GZ38-13	3/8	5/8 or 3/4	4 Solid	2/0 Stranded	1 3/16	1 1/2	2 7/8	3 3/16	3/8
GZ38-25	3/8	5/8 or 3/4	2/0 Solid	250 MCM	1 5/16	1 1/2	3 3/16	3 3/4	1/2
GZ38-50	3/8	5/8 or 3/4	300 MCM	500 MCM	1 5/16	1 5/8	3 7/16	4 3/16	1/2
GZ75-4	1/2 or 3/4	7/8 or 1	8 Solid	#4 Stranded	1 1/2	1 1/2	2 5/8	2 3/4	3/8
GZ75-13	1/2 or 3/4	7/8 or 1	4 Solid	2/0 Stranded	1 1/2	1 1/2	2 7/8	3 3/16	3/8
GZ75-25	1/2 or 3/4	7/8 or 1	2/0 Solid	250 MCM	1 5/8	1 1/2	3 3/16	3 3/4	1/2
GZ75-50	1/2 or 3/4	7/8 or 1	300 MCM	500 MCM	1 5/8	1 5/8	3 7/16	4 3/16	1/2
GZ100-4	1	1 1/8 - 1 1/4	8 Solid	#4 Stranded	1 3/4	1 1/2	2 13/16	2 15/16	3/8
GZ100-13	1	1 1/8 - 1 1/4	4 Solid	2/0 Stranded	1 3/4	1 1/2	3	2 15/16	3/8
GZ100-25	1	1 1/8 - 1 1/4	2/0 Solid	250 MCM	1 7/8	1 1/2	3 7/16	4	1/2
GZ100-50	1	1 1/8 - 1 1/4	300 MCM	500 MCM	1 7/8	1 7/8	3 11/16	4 7/16	1/2
GZ125-4	1 1/4	1 3/8 - 1 5/8	8 Solid	#4 Stranded	2 1/8	1 1/2	3 1/4	3 15/16	3/8
GZ125-13	1 1/4	1 3/8 - 1 5/8	4 Solid	2/0 Stranded	2 1/8	1 1/2	3 7/16	3 3/4	3/8
GZ125-25	1 1/4	1 3/8 - 1 5/8	2/0 Solid	250 MCM	2 1/4	1 1/2	3 13/16	4 3/8	1/2
GZ125-50	1 1/4	1 3/8 - 1 5/8	300 MCM	500 MCM	2 1/4	1 7/8	4 1/8	4 13/16	1/2
GZ150-4	1 1/2	1 5/8 - 1 7/8	8 Solid	#4 Stranded	2 3/8	1 1/2	3 1/2	3 5/8	3/8
GZ150-13	1 1/2	1 5/8 - 1 7/8	4 Solid	2/0 Stranded	2 3/8	1 1/2	3 11/16	4 1/16	3/8
GZ150-25	1 1/2	1 5/8 - 1 7/8	2/0 Solid	250 MCM	2 1/2	1 1/2	4 1/8	4 11/16	1/2
GZ150-50	1 1/2	1 5/8 - 1 7/8	300 MCM	500 MCM	2 1/2	1 7/8	4 3/8	5 1/8	1/2
GZ200-4	2	2 - 2 1/2	8 Solid	#4 Stranded	2 13/16	1 1/2	4 1/16	4 1/16	3/8
GZ200-13	2	2 - 2 1/2	4 Solid	2/0 Stranded	2 13/16	1 1/2	4 5/16	4 1/2	3/8
GZ200-25	2	2 - 2 1/2	2/0 Solid	250 MCM	2 15/16	1 1/2	4 11/16	5 1/8	1/2
GZ200-50	2	2 - 2 1/2	300 MCM	500 MCM	2 15/16	1 7/8	4 15/16	5 9/16	1/2
GZ250-4	2 1/2	2 5/8 - 2 7/8	8 Solid	#4 Stranded	3 5/16	1 1/2	4 3/4	4 9/16	3/8
GZ250-13	2 1/2	2 5/8 - 2 7/8	4 Solid	2/0 Stranded	3 5/16	1 1/2	5	5	3/8
GZ250-25	2 1/2	2 5/8 - 2 7/8	2/0 Solid	250 MCM	3 7/16	1 1/2	5 3/8	5 5/8	1/2
GZ250-50	2 1/2	2 5/8 - 2 7/8	300 MCM	500 MCM	3 7/16	1 7/8	5 5/8	6 1/16	1/2
GZ300-4	3	3 1/4 - 3 1/2	8 Solid	#4 Stranded	4	1 1/2	5 3/8	5 3/16	3/8
GZ300-13	3	3 1/4 - 3 1/2	4 Solid	2/0 Stranded	4	1 1/2	5 3/8	5 5/8	3/8
GZ300-25	3	3 1/4 - 3 1/2	2/0 Solid	250 MCM	4 1/8	1 1/2	6	6 1/4	1/2
GZ300-50	3	3 1/4 - 3 1/2	300 MCM	500 MCM	4 1/8	1 7/8	6 1/4	6 11/16	1/2
GZ300-75	3	3 1/4 - 3 1/2	500 MCM	750 MCM	4 1/4	2 1/4	6 1/2	7 3/16	5/8
GZ350-13	3 1/2	3 3/4 - 4	4 Solid	2/0 Stranded	4 7/16	1 1/2	5 13/16	6	3/8
GZ400-13	4	4 1/4 - 4 1/2	4 Solid	2/0 Stranded	-	-	-	-	3/8
GZ400-25	4	4 1/4 - 4 1/2	2/0 Solid	250 MCM	-	-	-	-	1/2
GZ400-50	4	4 1/4 - 4 1/2	300 MCM	500 MCM	-	-	-	-	1/2