

DOSSERT® TYPE HLB, H2LB

A side entrance HERCULON™ variable type terminal for connecting wire or cable at right angles to terminal bar. Easily installed with any ordinary wrench. Serrated pressure bar confines conductor making for high contact efficiency. Its rugged design permits it to be re-used over and over. H2LB is for connecting two cables at right angle to terminal bar.

Material

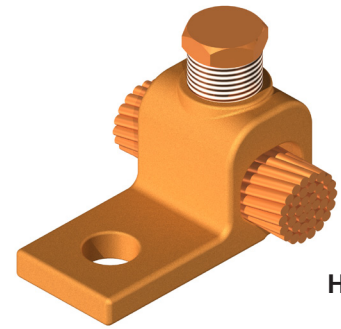
Copper Alloy

Hardware

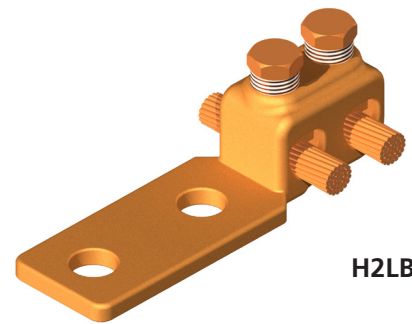
Everdur pressure bolt

Note

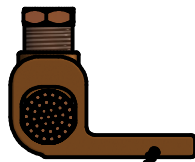
For two 500 MCM to 4 hole 3" NEMA pad order: H2LB50-4N



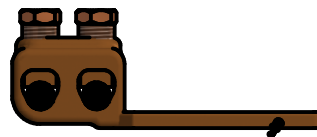
HLB



H2LB



HLB



H2LB

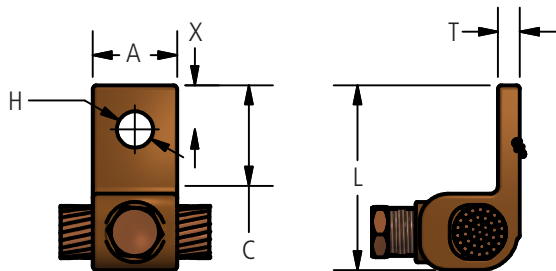


FIG. 1

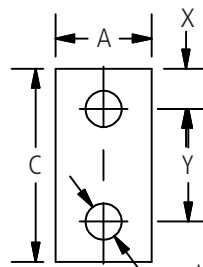


FIG. 2

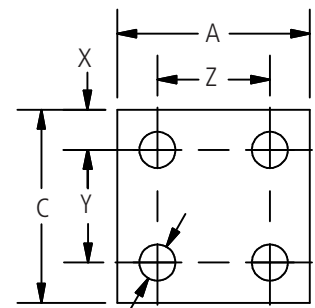


FIG. 3



DOSSERT®
TYPE HLB, H2LB

Ordering Information

CATALOG NUMBER		CABLE SIZE		FIGURE NUMBER	DIMENSIONS IN INCHES							
ONE CABLE	TWO CABLES	MINIMUM	MAXIMUM		A	C	H	L	X	Y	Z	T
HLB4-1	H2LB4-1	8 SOL	4 STR	1	1/2	5/8	9/32	1 1/4	5/16	-	-	3/16
HLB4-2	H2LB4-2	8 SOL	4 STR	2	1/2	1 1/4	9/32	1 7/8	5/16	5/8	-	3/16
HLB8-1	H2LB8-1	4 SOL	1 STR	1	11/16	11/16	9/32	1 9/16	11/32	-	-	7/32
HLB8-2	H2LB8-2	4 SOL	1 STR	2	11/16	1 3/8	9/32	2 1/4	5/16	3/4	-	7/32
HLB13-1	H2LB13-1	1 STR	2/0 STR	1	13/16	7/8	7/16	1 7/8	7/16	-	-	7/32
HLB13-2	H2LB13-2	1 STR	2/0 STR	2	13/16	1 5/8	11/32	2 5/8	3/8	7/8	-	7/32
HLB21-1	H2LB21-1	2/0 STR	4/0 STR	1	1	1	7/16	2 1/4	1/2	-	-	1/4
HLB21-2	H2LB21-2	2/0 STR	4/0 STR	2	1	1 3/4	7/16	3	3/8	1	-	1/4
HLB21-2N	H2LB21-2N	2/0 STR	4/0 STR	2	1 1/2	3	9/16	4 1/4	5/8	1 3/4	-	1/4
HLB30-1	H2LB30-1	4/0 STR	300 MCM	1	1 3/16	1 1/4	9/16	2 5/8	5/8	-	-	5/16
HLB30-2	H2LB30-2	4/0 STR	300 MCM	2	1 3/16	2	7/16	3 3/8	7/16	1	-	5/16
HLB30-2N	H2LB30-2N	4/0 STR	300 MCM	2	1 1/2	3	9/16	4 1/2	5/8	1 3/4	-	5/16
HLB35-1	H2LB35-1	250 MCM	350 MCM	1	1 3/16	1 1/4	9/16	2 5/8	5/8	-	-	5/16
HLB35-2	H2LB35-2	250 MCM	350 MCM	2	1 3/16	2	7/16	3 3/8	7/16	1	-	5/16
HLB35-2N	H2LB35-2N	250 MCM	350 MCM	2	1 1/2	3	9/16	4 1/2	5/8	1 3/4	-	5/16
HLB50-1	H2LB50-1	300 MCM	500 MCM	1	1 3/8	1 3/8	9/16	3	11/16	-	-	11/32
HLB50-2	H2LB50-2	300 MCM	500 MCM	2	1 3/8	2	7/16	3 9/16	7/16	1	-	11/32
HLB50-2N	H2LB50-2N	300 MCM	500 MCM	2	1 1/2	3	9/16	4 5/8	5/8	1 3/4	-	11/32
HLB50-4	H2LB50-4	300 MCM	500 MCM	3	2	2	7/16	3 9/16	7/16	1	1	11/32
HLB50-4N	H2LB50-4N	300 MCM	500 MCM	3	3	3	9/16	4 5/8	5/8	1 3/4	1 3/4	11/32
HLB75-1	H2LB75-1	500 MCM	750 MCM	1	1 5/8	1 3/4	11/16	3 5/8	7/8	-	-	3/8
HLB75-2	H2LB75-2	500 MCM	750 MCM	2	1 5/8	2 1/4	9/16	4 1/8	9/16	1 1/8	-	3/8
HLB75-2N	H2LB75-2N	500 MCM	750 MCM	2	1 5/8	3	9/16	4 7/8	5/8	1 3/4	-	3/8
HLB75-4	H2LB75-4	500 MCM	750 MCM	3	2 1/4	2 1/4	7/16	4 1/8	5/8	1	1	3/8
HLB75-4N	H2LB75-4N	500 MCM	750 MCM	3	3	3	9/16	4 7/8	5/8	1 3/4	1 3/4	3/8
HLB100-1	H2LB100-1	750 MCM	1000 MCM	1	1 7/8	1 7/8	11/16	4 1/8	15/16	-	-	1/2
HLB100-2	H2LB100-2	750 MCM	1000 MCM	2	1 7/8	2 1/2	9/16	4 5/8	5/8	1 1/4	-	1/2
HLB100-2N	H2LB100-2N	750 MCM	1000 MCM	2	1 7/8	3	9/16	4 7/8	5/8	1 3/4	-	1/2
HLB100-4	H2LB100-4	750 MCM	1000 MCM	3	2 1/2	2 1/2	7/16	4 5/8	5/8	1 1/4	1 1/4	1/2
HLB100-4N	H2LB100-4N	750 MCM	1000 MCM	3	3	3	9/16	4 7/8	5/8	1 3/4	1 3/4	1/2
HLB150-1	H2LB150-1	1000 MCM	1500 MCM	1	2 1/8	2 1/8	13/16	4 1/2	1 1/16	-	-	9/16
HLB150-2	H2LB150-2	1000 MCM	1500 MCM	2	2 1/8	2 5/8	9/16	4 3/4	5/8	1 3/8	-	9/16
HLB150-2N	H2LB150-2N	1000 MCM	1500 MCM	2	2 1/8	3	9/16	4 7/8	5/8	1 3/4	-	9/16
HLB150-4	H2LB150-4	1000 MCM	1500 MCM	3	2 5/8	2 5/8	9/16	4 3/4	5/8	1 3/8	1 3/8	9/16
HLB150-4N	H2LB150-4N	1000 MCM	1500 MCM	3	3	3	9/16	4 7/8	5/8	1 3/4	1 3/4	9/16

Bronze Terminals, Taps